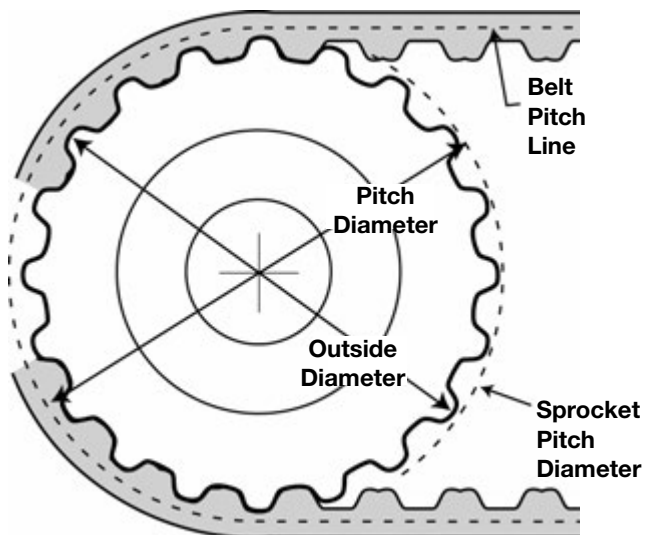
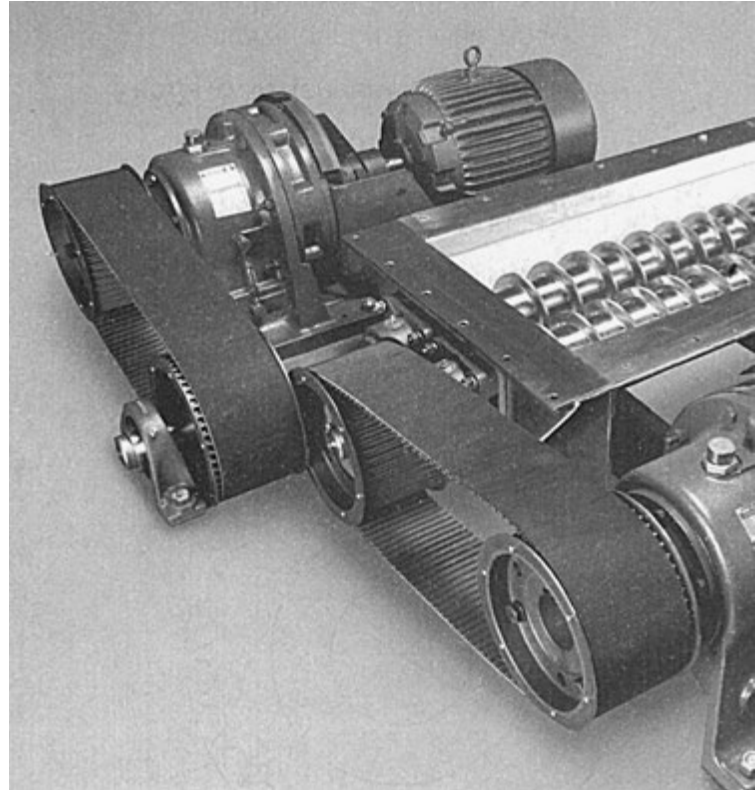


STOCK HTS SPROCKETS

FEATURES OF HTS DRIVES

- Positive Slip Proof Engagement
- Wide Speed Range
- Constant Driven Speeds
- Wide Range of Load Capabilities
- No Lubrication
- High Tension Eliminated
- High Mechanical Efficiency
- Economical Operation



HTS HIGH TORQUE SPROCKETS

- RPP® Tooth Profile
- Available in 5mm, 8mm, 14mm & 20mm pitch
- Stocked in QD and Taper Bush Interchangeable Bushing Styles, as well as Stock Bore.

HTS BELT DRIVE SPECIFICATIONS

Martin HTS sprockets are manufactured in various sizes, dimensions and capacities to meet industry requirements. This includes a wide range of loads, speeds, and demanding applications.

The following is an explanation of dimensional nomenclature for *Martin* HTS sprockets as well as belts currently available that will operate efficiently with the *Martin* tooth form.

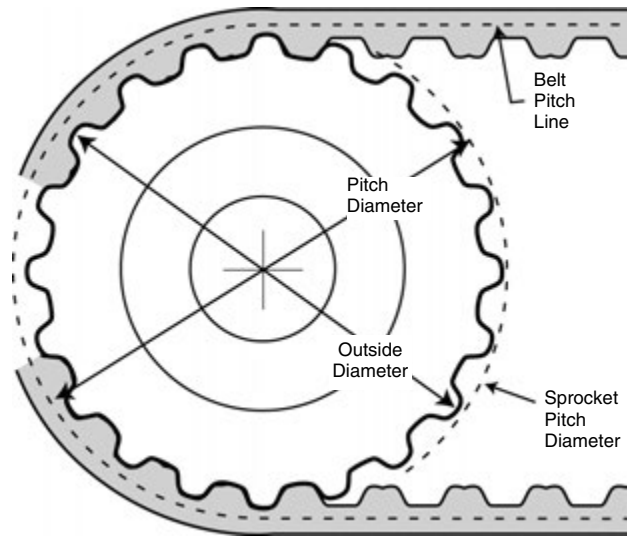
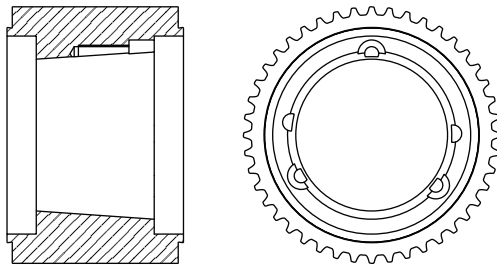
The HTS sprocket has three primary dimensions:
(Number of Teeth/Pitch/Width)

The pitch is the distance in millimeters from the center of one tooth groove to the other and is measured on the sprocket's pitch circle. The pitch circle of the sprocket matches with the pitch line of the belt when in mesh. The sprocket pitch diameter is always greater than its outer diameter.

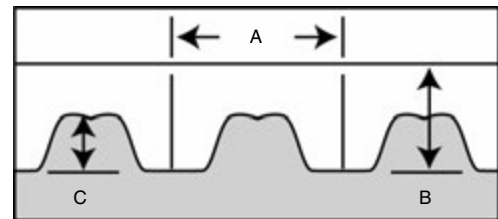
Note: Belts must be run with sprockets of the same pitch.

As with the sprocket specifications, belt pitch is the measure between two adjacent tooth centers which is measured on the pitch line of the belt.

Note: The theoretical pitch line is within the tensile member. Belt length is the total length (circumference) in millimeters as could be measured along the pitch line.



P	30	14M	55 - SK
	Number of Teeth		Bushing or MPB
HTS	Belt Pitch	Belt Width	
	5mm	15, 25	
	8mm	20, 30, 50, 85	
	14mm	40, 55, 85, 115, 170	
	20mm	115, 170, 230, 290, 340	



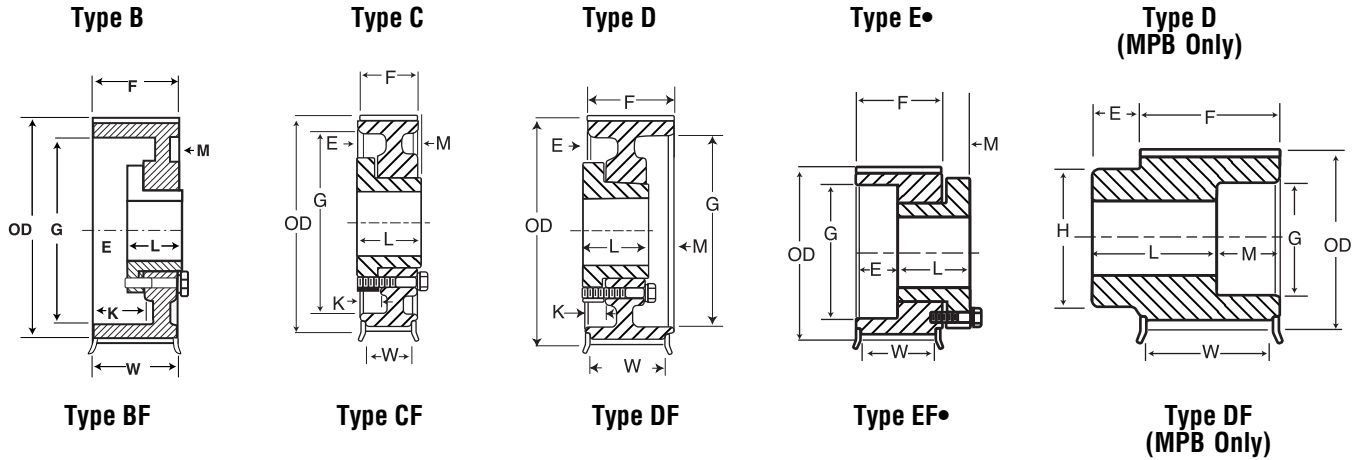
“P” HTS Sprockets (RPP® Tooth Profile) - Run with RPP®, RPP® Plus®, Hawk Pd®, & HTD® belts.

“P” HTS Sprockets are designed to run with fiberglass corded belts.

- Available in 5mm, 8mm, 14mm, 20mm pitches
 - Belt widths: 15mm, 25mm (5mm pitch)
 - 20mm, 30mm, 50mm, 85mm (8mm pitch)
 - 40mm, 55mm, 85mm, 115mm, 170mm (14mm pitch)
 - 115mm, 170mm, 230mm, 290mm, 340mm (20mm pitch)

Belt Pitch	A	B	C
5MM	5MM .197IN.	3.81MM .150IN.	2.08MM .082IN.
8MM	8MM .315IN.	6MM .236IN.	3.4MM .133IN.
14MM	14MM .552IN.	10MM .394IN.	6.0MM .237IN.
20MM	20MM .784IN.	13.2MM .520IN.	8.4MM .330IN.

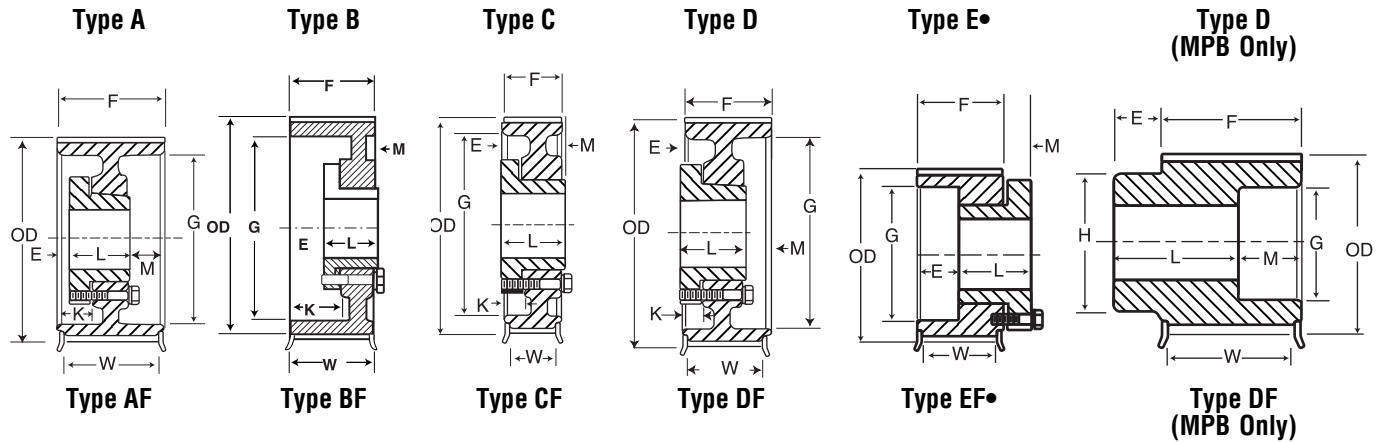
High Torque Sprockets 5mm



MPB 15mm (.591 in.) Wide Belts (5M-15)																
No. of Teeth	Catalog Number	Bore	Pitch	Diameter (in.)		Type +	Max. Bore	Dimensions (in.)							Weight* Approx. (lbs)	
				O.D.	Flange			E	L	M	K	H	F	G		W
32	P325M15-MPB	½	2.005	1.960	2.16	DF-1	0.88	0.50	1.73	—	—	1.55	0.84	—	0.65	1.12
34	P345M15-MPB	½	2.130	2.085	2.29	DF-1	1.00	0.50	1.73	—	—	1.68	0.84	—	0.65	1.25
36	P365M15-MPB	½	2.256	2.211	2.41	DF-1	1.12	0.50	1.73	—	—	1.80	0.84	—	0.65	1.39
QD 15mm (.591in.) Wide Belts (5M-15)																
38	P385M15-JA	JA	2.381	2.336	2.54	• EF-1	1.25	0.67	1.00	0.44	—	—	0.84	1.34	0.65	0.80
40	P405M15-JA	JA	2.506	2.461	2.66	• EF-1	1.25	0.67	1.00	0.44	—	—	0.84	1.34	0.65	1.06
44	P445M15-JA	JA	2.757	2.712	2.91	• EF-1	1.25	0.67	1.00	0.44	—	—	0.84	1.34	0.65	1.40
48	P485M15-JA	JA	3.008	2.963	3.16	BF-1	1.25	0.23	1.00	0.00	0.67	—	0.84	2.36	0.65	1.20
52	P525M15-JA	JA	3.258	3.213	3.41	BF-1	1.25	0.23	1.00	0.00	0.67	—	0.84	2.62	0.65	1.43
56	P565M15-SH	SH	3.509	3.464	3.66	DF-1	1.68	0.08	1.25	0.06	0.42	—	0.84	2.86	0.65	1.64
60	P605M15-SH	SH	3.760	3.715	3.92	DF-1	1.68	0.08	1.25	0.06	0.42	—	0.84	3.12	0.65	1.83
64	P645M15-SH	SH	4.010	3.965	4.16	DF-1	1.68	0.08	1.25	0.06	0.42	—	0.84	3.37	0.65	2.16
68	P685M15-SDS	SDS	4.261	4.216	4.41	CF-1	2.00	0.08	1.31	0.00	0.48	—	0.84	3.50	0.65	2.48
72	P725M15-SDS	SDS	4.511	4.466	4.66	CF-1	2.00	0.08	1.31	0.00	0.48	—	0.84	3.75	0.65	2.84
80	P805M15-SDS	SDS	5.013	4.968	—	C-1	2.00	0.08	1.31	0.00	0.48	—	0.84	4.25	0.65	3.61
90	P905M15-SDS	SDS	5.639	5.594	—	C-1	2.00	0.08	1.31	0.00	0.48	—	0.84	4.88	0.65	4.69
112	P1125M15-SDS	SDS	7.018	6.973	—	C-2	2.00	0.08	1.31	0.00	0.48	—	0.84	6.05	0.65	6.02
MPB 25mm (.984in.) Wide Belts (5M-25)																
32	P325M25-MPB	½	2.005	1.960	2.16	DF-1	0.88	0.50	1.34	—	—	1.55	1.23	—	1.04	0.84
34	P345M25-MPB	½	2.130	2.085	2.29	DF-1	1.00	0.50	1.34	—	—	1.68	1.23	—	1.04	0.93-
36	P365M25-MPB	½	2.256	2.211	2.41	DF-1	1.12	0.50	1.34	—	—	1.80	1.23	—	1.04	1.03
QD 25mm (.984in.) Wide Belts (5M-25)																
38	P385M25-JA	JA	2.381	2.336	2.54	• EF-1	1.25	0.28	1.00	0.44	—	—	1.23	1.34	1.04	0.61
40	P405M25-JA	JA	2.506	2.461	2.66	• EF-1	1.25	0.28	1.00	0.44	—	—	1.23	1.34	1.04	0.72
44	P445M25-JA	JA	2.757	2.712	2.91	• EF-1	1.25	0.28	1.00	0.44	—	—	1.23	1.34	1.04	0.95
48	P485M25-JA	JA	3.008	2.963	3.16	CF-1	1.25	0.16	1.00	0.00	0.28	—	1.23	2.36	1.04	0.97
52	P525M25-JA	JA	3.258	3.213	3.41	CF-1	1.25	0.16	1.00	0.00	0.28	—	1.23	2.62	1.04	1.17
56	P565M25-SH	SH	3.509	3.464	3.66	DF-1	1.68	0.50	1.25	0.09	0.00	—	1.23	—	1.04	1.37
60	P605M25-SH	SH	3.760	3.715	3.92	DF-1	1.68	0.50	1.25	0.09	0.00	—	1.23	—	1.04	1.68
64	P645M25-SH	SH	4.010	3.965	4.16	DF-1	1.68	0.50	1.25	0.09	0.00	—	1.23	—	1.04	1.80
68	P685M25-SDS	SDS	4.261	4.216	4.41	CF-1	2.00	0.47	1.31	0.00	0.09	—	1.23	3.50	1.04	2.10
72	P725M25-SDS	SDS	4.511	4.466	4.66	CF-1	2.00	0.47	1.31	0.00	0.09	—	1.23	3.75	1.04	2.43
80	P805M25-SDS	SDS	5.013	4.968	—	C-1	2.00	0.47	1.31	0.00	0.09	—	1.23	4.25	1.04	3.15
90	P905M25-SDS	SDS	5.639	5.594	—	C-1	2.00	0.47	1.31	0.00	0.09	—	1.23	4.88	1.04	4.17
112	P1125M25-SDS	SDS	7.018	6.973	—	C-1	2.00	0.47	1.31	0.00	0.09	—	1.23	6.05	1.04	5.16

* Weight Shown is for Sprocket Less Bushing.
• Reverse Mount Only

+ The numbers (1=Solid, 2=Web, 3=Arms) within the "Type" indicates construction, and the letter F indicates the sprocket has flanges.

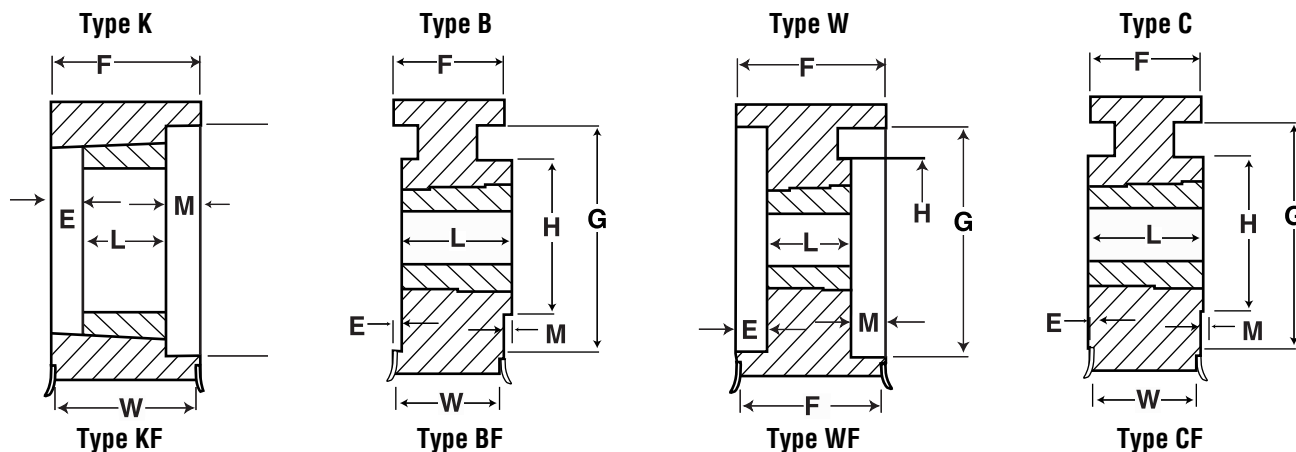


MPB 20mm (.787 in.) Wide Belts (8M-20)																
No. of Teeth	Catalog Number	Bore	Pitch	Diameter (in.)		Type +	Max. Bore	Dimensions (in.)								Weight* Approx. (lbs)
				O.D.	Flange			E	L	M	K	H	F	G	W	
20	P208M20-MPB	1/2	2.005	1.951	2.375	DF-1	7/8	5/8	1 1/4	0	—	1 1/2	1 1/2	—	7/8	.90
21	P218M20-MPB	1/2	2.105	2.051	2.468	DF-1	1	5/8	1 1/4	0	—	1 1/2	1 1/2	—	7/8	1.00
22	P228M20-MPB	1/2	2.206	2.152	2.562	DF-1	1 1/16	5/8	1 1/4	0	—	1 1/2	1 1/2	—	7/8	1.60
QD 20mm (.787 in.) Wide Belts (8M-20)																
24	P248M20-JA	JA	2.406	2.352	2.750	• EF-1	1 1/4	3/16	1 1/16	7/16	—	—	1 1/2	1.34	7/8	1.50
26	P268M20-JA	JA	2.607	2.553	2.937	• EF-1	1 1/4	3/16	1 1/16	7/16	—	—	1 1/2	1.34	7/8	1.80
28	P288M20-H	H	2.807	2.753	3.156	• EF-1	1 1/4	3/16	1 1/16	7/16	—	—	1 1/2	1.57	7/8	1.40
30	P308M20-H	H	3.008	2.954	3.344	• EF-1	1 1/4	3/16	1 1/16	7/16	—	—	1 1/2	1.57	7/8	1.90
32	P328M20-H	H	3.208	3.154	3.562	CF-1	1 1/4	3/16	1 1/16	0	1/4	—	1 1/2	2.56	7/8	2.00
34	P348M20-SH	SH	3.409	3.355	3.750	DF-1	1 11/16	3/16	1 1/4	1/16	3/16	—	1 1/2	2.75	7/8	2.20
36	P368M20-SH	SH	3.609	3.555	3.937	DF-1	1 11/16	3/16	1 1/4	1/16	3/16	—	1 1/2	2.82	7/8	2.50
38	P388M20-SH	SH	3.810	3.756	4.156	DF-1	1 11/16	3/16	1 1/4	1/16	3/16	—	1 1/2	3.00	7/8	2.80
40	P408M20-SH	SH	4.010	3.956	4.344	DF-1	1 11/16	3/16	1 1/4	1/16	3/16	—	1 1/2	3.00	7/8	3.00
44	P448M20-SDS	SDS	4.411	4.357	4.750	CF-1	2	3/16	1 1/4	0	3/8	—	1 1/2	3.50	7/8	3.20
48	P488M20-SDS	SDS	4.812	4.758	5.157	CF-1	2	3/16	1 1/4	0	3/8	—	1 1/2	3.8	7/8	3.40
56	P568M20-SDS	SDS	5.614	5.560	5.937	CF-1	2	3/16	1 1/4	0	3/8	—	1 1/2	4.6	7/8	4.50
64	P648M20-SDS	SDS	6.416	6.362	6.750	CF-1	2	3/16	1 1/4	0	3/8	—	1 1/2	5.4	7/8	5.50
72	P728M20-SDS	SDS	7.218	7.164	7.562	CF-1	2	3/16	1 1/4	0	3/8	—	1 1/2	6.2	7/8	6.00
80	P808M20-SDS	SDS	8.020	7.966	8.375	CF-2	2	3/16	1 1/4	0	3/8	—	1 1/2	6.9	7/8	6.50
90	P908M20-SDS	SDS	9.023	8.969	—	C-2	2	3/16	1 1/4	0	3/8	—	1 1/2	7.62	—	7.00
112	P1128M20-SK	SK	11.229	11.175	—	C-3	2 3/8	3/4	1 11/16	1/16	1/16	—	1 1/2	9.87	—	10.50
144	P1448M20-SF	SF	14.447	14.388	—	C-3	2 11/16	3/4	2 1/16	1/16	1/16	—	1 1/2	12.88	—	14.50
Taper Bushed 20mm (.787 in.) Wide Belts (8M-20)																
24	P248M20-1108	1108	2.406	2.352	2.75	KF-1	1	1/16	7/8	3/16	—	—	1 1/2	1.783	7/8	.7
26	P268M20-1108	1108	2.607	2.553	2.94	KF-1	1	1/16	7/8	3/16	—	—	1 1/2	1.971	7/8	.9
28	P288M20-1108	1108	2.807	2.753	3.16	KF-1	1	1/16	7/8	3/16	—	—	1 1/2	2.000	7/8	1.2
30	P308M20-1210	1210	3.008	2.954	3.34	KF-1	1 1/4	1/8	1	—	—	—	1 1/2	—	7/8	1.2
32	P328M20-1210	1210	3.208	3.154	3.56	KF-1	1 1/4	1/8	1	—	—	—	1 1/2	—	7/8	1.4
34	P348M20-1610	1610	3.409	3.355	3.75	KF-1	1 11/16	1/8	1	—	—	—	1 1/2	—	7/8	1.4
36	P368M20-1610	1610	3.609	3.555	3.94	KF-1	1 11/16	1/8	1	—	—	—	1 1/2	—	7/8	1.7
38	P388M20-1610	1610	3.810	3.756	4.16	KF-1	1 11/16	1/8	1	—	—	—	1 1/2	—	7/8	2.0
40	P408M20-1610	1610	4.010	3.956	4.34	KF-1	1 11/16	1/8	1	—	—	—	1 1/2	—	7/8	2.4
44	P448M20-2012	2012	4.411	4.357	4.75	CF-1	2 1/2	—	1 1/4	1/8	—	3 7/32	1 1/2	—	7/8	2.6
48	P488M20-2012	2012	4.812	4.758	5.16	CF-1	2 1/2	—	1 1/4	1/8	—	3 3/8	1 1/2	—	7/8	3.4
56	P568M20-2012	2012	5.614	5.560	5.94	CF-1	2 1/2	—	1 1/4	1/8	—	3 3/8	1 1/2	—	7/8	5.3
64	P648M20-2012	2012	6.416	6.362	6.75	CF-1	2 1/2	—	1 1/4	1/8	—	4 3/8	1 1/2	—	7/8	7.5
72	P728M20-2012	2012	7.218	7.164	7.56	CF-1	2 1/2	—	1 1/4	1/8	—	4 3/8	1 1/2	—	7/8	9.9
80	P808M20-2517	2517	8.020	7.966	8.38	CF-2	2 11/16	—	1 1/4	3/8	—	4 3/8	1 1/2	6.900	7/8	11.9
90	P908M20-2517	2517	9.023	8.969	—	C-2	2 11/16	—	1 1/4	3/8	—	—	1 1/2	7.630	—	12.9

* Weight Shown is for Sprocket Less Bushing.
• Reverse Mount Only

+ The numbers (1=Solid, 2=Web, 3=Arms) within the "Type" indicates construction, and the letter F indicates the sprocket has flanges.

High Torque Sprockets 8mm

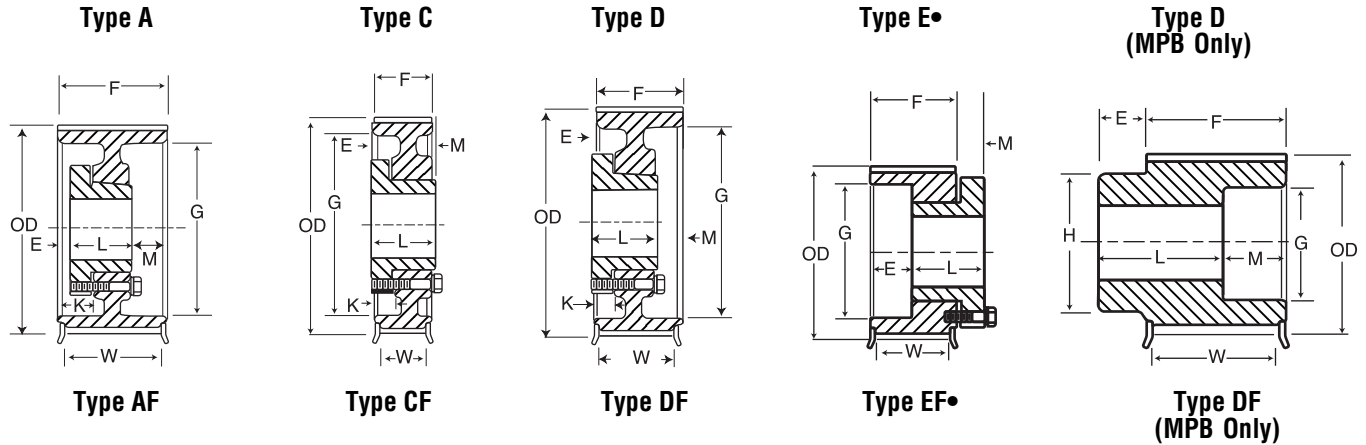


MPB 30mm (1.18in.) Wide Belts (8M-30)																
No. of Teeth	Catalog Number	Bore	Pitch	Diameter (in.)		Type +	Max. Bore	Dimensions (in.)							Weight* Approx. (lbs)	
				O.D.	Flange			E	L	M	K	H	F	G		W
20	P208M30-MPB	½	2.005	1.951	2.375	DF-1	⅞	⅝	2⅞	—	—	1⅜	1½	—	1⅞	1.10
21	P218M30-MPB	½	2.105	2.051	2.468	DF-1	1	⅝	2⅞	—	—	1½	1½	—	1⅞	1.30
22	P228M30-MPB	½	2.206	2.152	2.562	DF-1	1⅙	⅝	2⅞	—	—	1⅜	1½	—	1⅞	1.40
24	P248M30-MPB	½	2.406	2.352	2.750	DF-1	1¼	⅝	2⅞	—	—	1⅜	1½	—	1¼	1.80
26	P268M30-MPB	½	2.607	2.553	2.937	DF-1	1¼	⅜	2¼	—	—	2	1½	—	1¼	2.20
QD 30mm (1.18in.) Wide Belts (8M-30)																
28	P288M30-H	H	2.807	2.753	3.156	• EF-1	1¼	⅝	1¼	⅜	—	—	1½	1.57	1¼	1.70
30	P308M30-H	H	3.008	2.954	3.344	• EF-1	1⅞	⅝	1¼	⅜	—	—	1½	1.57	1¼	1.90
32	P328M30-H	H	3.208	3.154	3.562	BF-1	1⅞	¼	1¼	—	⅝	—	1½	2.56	1¼	2.10
34	P348M30-SH	SH	3.409	3.355	3.750	AF-1	1⅞	⅜	1¼	⅜	⅜	—	1½	2.75	1¼	2.40
36	P368M30-SH	SH	3.609	3.555	3.937	AF-1	1⅞	⅜	1¼	⅜	⅜	—	1½	2.82	1¼	2.80
38	P388M30-SH	SH	3.810	3.756	4.156	AF-1	1⅞	⅜	1¼	⅜	⅜	—	1½	3.00	1¼	3.20
40	P408M30-SH	SH	4.010	3.956	4.344	AF-1	1⅞	⅜	1¼	⅜	⅜	—	1½	3.00	1¼	3.60
44	P448M30-SDS	SDS	4.411	4.357	4.750	BF-1	1⅞	⅜	1⅞	—	⅜	—	1½	3.50	1¼	3.80
48	P488M30-SDS	SDS	4.812	4.758	5.157	BF-1	2	⅜	1⅞	—	⅜	—	1½	3.80	1¼	4.20
56	P568M30-SDS	SDS	5.614	5.560	5.937	BF-1	2	⅜	1⅞	—	⅜	—	1½	4.60	1¼	4.80
64	P648M30-SK	SK	6.416	6.362	6.750	CF-1	2	⅜	1⅞	—	⅜	—	1½	5.40	1¼	6.10
72	P728M30-SK	SK	7.218	7.164	7.562	CF-1	2⅞	⅜	1⅞	—	⅜	—	1½	6.20	1¼	6.80
80	P808M30-SK	SK	8.020	7.966	8.375	CF-2	2⅞	⅜	1⅞	—	⅜	—	1½	6.90	1¼	7.50
90	P908M30-SK	SK	9.023	8.969	—	C-2	2⅞	⅜	1⅞	—	⅜	—	1½	7.62	—	11.00
112	P1128M30-SK	SK	11.229	11.175	—	C-3	2⅞	⅜	1⅞	—	⅜	—	1½	9.87	—	13.00
144	P1448M30-SF	SF	14.447	14.383	—	C-3	2⅞	⅜	2⅞	—	⅜	—	1½	12.88	—	25.50
192	P1928M30-E	E	19.249	19.195	—	C-3	—	1⅞	2⅞	⅜	⅜	—	1½	17.63	—	30.00
Taper Bushed 30mm (1.18in.) Wide Belts (8M-30)																
24	P248M30-1108	1108	2.406	2.352	2.75	KF-1	1	⅜	⅞	½	—	—	1½	1.783	1¼	.9
26	P268M30-1108	1108	2.607	2.553	2.94	KF-1	1	⅜	⅞	½	—	—	1½	1.971	1¼	1.2
28	P288M30-1108	1108	2.807	2.753	3.16	KF-1	1	⅜	⅞	½	—	—	1½	2.000	1¼	1.6
30	P308M30-1210	1210	3.008	2.954	3.34	KF-1	1¼	⅜	1	⅜	—	—	1½	2.345	1¼	1.5
32	P328M30-1210	1210	3.208	3.154	3.56	KF-1	1¼	⅜	1	⅜	—	—	1½	2.560	1¼	1.9
34	P348M30-1610	1610	3.409	3.355	3.75	KF-1	1⅞	⅜	1	⅜	—	—	1½	2.750	1¼	2.3
36	P368M30-1610	1610	3.609	3.555	3.94	KF-1	1⅞	⅜	1	⅜	—	—	1½	2.820	1¼	2.2
38	P388M30-1610	1610	3.810	3.756	4.16	KF-1	1⅞	⅜	1	⅜	—	—	1½	3.000	1¼	2.7
40	P408M30-2012	2012	4.010	3.956	4.34	KF-1	2⅞	—	1¼	¼	—	—	1½	3.250	1¼	2.4
44	P448M30-2012	2012	4.411	4.357	4.75	KF-1	2⅞	—	1¼	—	¼	—	1½	3.500	1¼	3.4
48	P488M30-2012	2012	4.812	4.758	5.16	KF-1	2⅞	—	1¼	—	¼	—	1½	3.800	1¼	4.5
56	P568M30-2012	2012	5.614	5.560	5.94	KF-1	2⅞	—	1¼	—	¼	—	1½	4.600	1¼	7.0
64	P648M30-2517	2517	6.416	6.362	6.75	CF-1	2⅞	—	1¼	—	¼	4⅜	1½	—	1¼	8.9
72	P728M30-2517	2517	7.218	7.164	7.56	CF-1	2⅞	—	1¼	—	¼	4⅜	1½	—	1¼	12.1
80	P808M30-2517	2517	8.020	7.966	8.38	CF-2	2⅞	—	1¼	—	¼	4⅜	1½	—	1¼	15.8
90	P908M30-2517	2517	9.023	8.969	—	C-2	2⅞	⅜	1¼	—	⅜	4⅜	1½	7.630	—	13.8
112	P1128M30-2517	2517	11.229	11.175	—	C-3	2⅞	⅜	1¼	—	⅜	4⅜	1½	9.880	—	23.5
144	P1448M30-2517	2517	14.437	14.383	...	C-3	2⅞	⅜	1¼	—	—	4⅜	1½	12.880	—	21.3

* Weight Shown is for Sprocket Less Bushing.

• Reverse Mount Only

+ The numbers (1=Solid, 2=Web, 3=Arms) within the "Type" indicates construction, and the letter F indicates the sprocket has flanges.

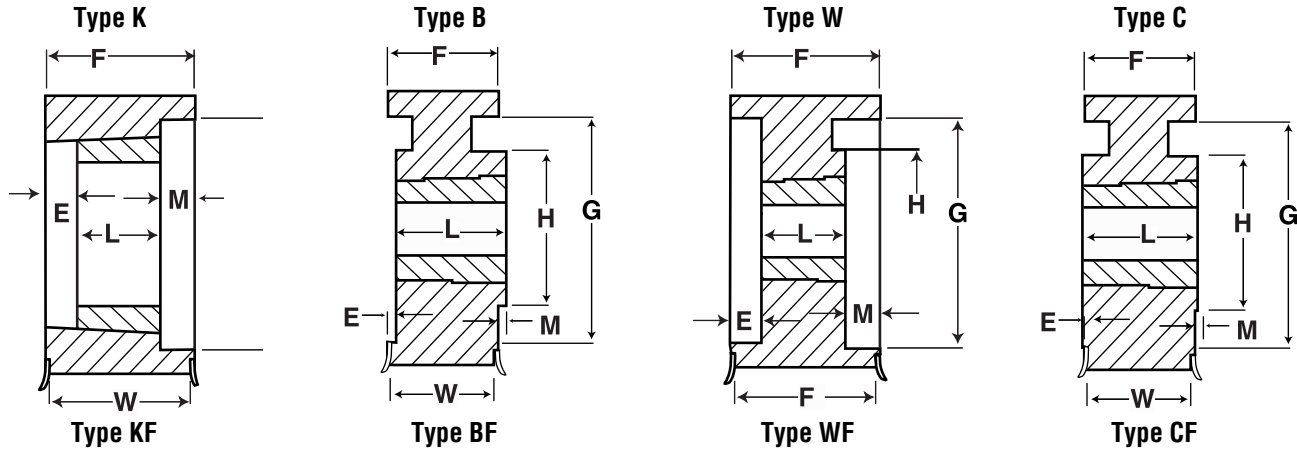


MPB 50mm (1.97 in.) Wide Belts (8M-50)																	
No. of Teeth	Catalog Number	Bore	Pitch	Diameter (in.)		Type +	Max. Bore	Dimensions (in.)							Weight* Approx. (lbs)		
				O.D.	Flange			E	L	M	K	H	F	G		W	
28	P288M50-MPB	½	2.807	2.753	3.156	DF-1	1¼	¾	3¾	—	—	2 ² / ₃₂	2%	—	2%	4.2	
30	P308M50-MPB	½	3.008	2.954	3.344	DF-1	1¼	¾	3¾	—	—	2 ¹⁵ / ₃₂	2%	—	2%	4.9	
32	P328M50-MPB	½	3.208	3.154	3.562	DF-1	1½	¾	3¾	—	—	2 ¹⁹ / ₃₂	2%	—	2%	5.4	
QD 50mm (1.97 in.) Wide Belts (8M-50)																	
32	P328M50-H	H	3.208	3.154	3.562	AF-1	1½	½	1¼	¾	¾	—	2%	2.56	2%	2.9	
34	P348M50-SH	SH	3.409	3.355	3.750	AF-1	1 ¹ / ₁₆	—	1¼	1½	½	—	2%	2.75	2%	3.2	
36	P368M50-SH	SH	3.609	3.555	3.937	AF-1	1 ¹ / ₁₆	—	1¼	1½	½	—	2%	2.82	2%	3.8	
38	P388M50-SH	SH	3.810	3.756	4.156	AF-1	1 ¹ / ₁₆	—	1¼	1½	½	—	2%	3.00	2%	4.2	
40	P408M50-SH	SH	4.010	3.956	4.344	AF-1	1 ¹ / ₁₆	—	1¼	1½	½	—	2%	3.00	2%	4.6	
44	P448M50-SD	SD	4.411	4.357	4.750	AF-1	2	—	1 ¹³ / ₁₆	¾	¾	—	2%	3.50	2%	5.2	
48	P488M50-SD	SD	4.812	4.758	5.157	AF-1	2	—	1 ¹³ / ₁₆	¾	¾	—	2%	3.80	2%	6.0	
56	P568M50-SK	SK	5.614	5.560	5.937	DF-1	2%	½	1½	¾	¾	—	2%	4.60	2%	7.6	
64	P648M50-SK	SK	6.416	6.362	6.750	DF-1	2%	½	1½	¾	¾	—	2%	5.40	2%	10.3	
72	P728M50-SK	SK	7.218	7.164	7.562	DF-1	2%	½	1½	¾	¾	—	2%	6.20	2%	13.3	
80	P808M50-SF	SF	8.020	7.966	8.326	DF-1	2%	½	2	¾	¾	—	2%	6.90	2%	12.7	
90	P908M50-SF	SF	9.023	8.969	—	D-2	2%	½	2	¾	¾	—	2%	7.62	2%	16.0	
112	P1128M50-SF	SF	11.229	11.175	—	D-3	2%	½	2	¾	¾	—	2%	9.88	2%	21.0	
144	P1448M50-E	E	14.437	14.383	—	D-3	3%	½	2%	2	¾	—	2%	12.88	2%	35.0	
192	P1928M50-E	E	19.249	19.195	—	D-3	3%	½	2%	2	¾	—	2%	17.63	2%	45.0	
Taper Bushed 50mm (1.97 in.) Wide Belts (8M-50)																	
28	P288M50-1108	1108	2.807	2.753	3.16	KF-1	1	—	¾	1½	—	—	2%	2.000	2%	2.1	
30	P308M50-1210	1210	3.008	2.954	3.34	KF-1	1¼	—	1	1½	—	—	2%	2.345	2%	2.2	
32	P328M50-1210	1210	3.208	3.154	3.56	KF-1	1¼	—	1	1½	—	—	2%	2.560	2%	2.1	
34	P348M50-1610	1610	3.409	3.355	3.75	KF-1	1 ¹ / ₁₆	—	1	1½	—	—	2%	2.750	2%	2.1	
36	P368M50-1610	1610	3.609	3.555	3.94	KF-1	1 ¹ / ₁₆	—	1	1½	—	—	2%	2.820	2%	2.7	
38	P388M50-1610	1610	3.810	3.756	4.16	KF-1	1 ¹ / ₁₆	—	1	1½	—	—	2%	3.000	2%	3.1	
40	P408M50-2012	2012	4.010	3.956	4.34	KF-1	2%	—	1¼	1½	—	—	2%	3.250	2%	3.4	
44	P448M50-2012	2012	4.411	4.357	4.75	KF-1	2%	—	1¼	1½	—	—	2%	3.500	2%	4.3	
48	P488M50-2012	2012	4.812	4.758	5.16	KF-1	2%	—	1¼	1½	—	—	2%	3.800	2%	5.5	
56	P568M50-2517	2517	5.614	5.560	5.94	KF-1	2 ¹ / ₁₆	—	1¼	¾	—	—	2%	4.600	2%	8.1	
64	P648M50-2517	2517	6.416	6.362	6.75	KF-1	2 ¹ / ₁₆	—	1¼	¾	—	—	2%	5.400	2%	11.7	
72	P728M50-2517	2517	7.218	7.164	7.56	KF-1	2 ¹ / ₁₆	—	1¼	¾	—	—	2%	6.200	2%	15.7	
80	P808M50-2517	2517	8.020	7.966	8.38	KF-1	2 ¹ / ₁₆	—	1¼	¾	—	—	2%	6.900	2%	20.3	
90	P908M50-3020	3020	9.023	8.969	—	W-1	3%	—	2	¾	—	—	2%	7.630	2%	31.7	
112	P1128M50-3020	3020	11.229	11.175	—	W-3	3%	—	2	¾	—	6¼	2%	9.880	2%	34.7	
144	P1448M50-3020	3020	14.437	14.383	—	W-3	3%	—	2	¾	—	7½	2%	12.880	2%	36.0	
192	P1928M50-3020	3020	19.249	19.195	—	W-3	3%	—	2	¾	—	7½	2%	17.630	2%	67.2	

* Weight Shown is for Sprocket Less Bushing.
• Reverse Mount Only

+ The numbers (1=Solid, 2=Web, 3=Arms) within the "Type" indicates construction, and the letter F indicates the sprocket has flanges.

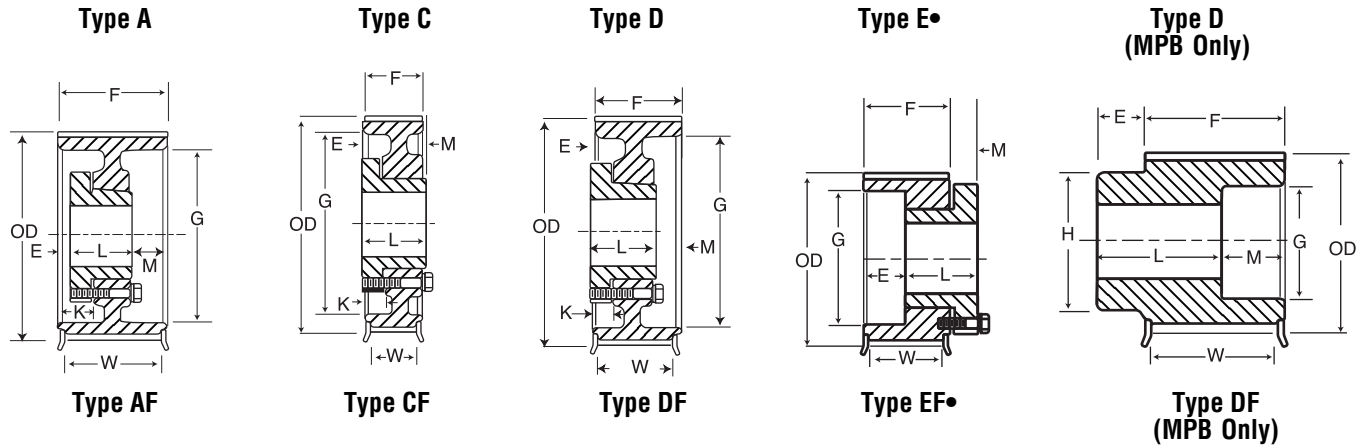
High Torque Sprockets 8mm



MPB 85mm (3.35 in.) Wide Belts (8M-85)																
No. of Teeth	Catalog Number	Bore	Pitch	Diameter (in.)		Type +	Max. Bore	Dimensions (in.)							Weight Approx. (lbs)	
				O.D.	Flange			E	L	M	K	H	F	G		W
34	P348M85-MPB	3/4	3.409	3.355	3.750	DF-1	1 1/16	3/4	4 1/2	0	—	2 3/64	3 3/4	—	3 1/2	10.00
36	P368M85-MPB	3/4	3.609	3.555	3.937	DF-1	1 1/4	3/4	4 1/2	0	—	3	3 3/4	—	3 1/2	11.30
38	P388M85-MPB	3/4	3.810	3.756	4.156	DF-1	1 5/16	3/4	4 1/2	0	—	3 3/16	3 3/4	—	3 1/2	12.60
40	P408M85-MPB	3/4	4.010	3.956	4.344	DF-1	2 1/8	3/4	4 1/2	0	—	3 3/32	3 3/4	—	3 1/2	14.90
44	P448M85-MPB	3/4	4.411	4.357	4.750	DF-1	2 1/4	3/4	4 1/2	0	—	3 3/64	3 3/4	—	3 1/2	17.20
48	P488M85-MPB	3/4	4.812	4.758	5.157	DF-1	2 1/2	3/4	4 1/2	0	—	4 3/16	3 3/4	—	3 1/2	20.60
56	P568M85-MPB	7/8	5.614	5.560	5.937	DF-1	3	3/4	4 1/2	0	—	5	3 3/4	—	3 1/2	28.00
QD 85mm (3.35 in.) Wide Belts (8M-85)																
34	P348M85-SH	SH	3.409	3.355	3.819	AF-1	1 1/16	1	1 1/4	1 1/2	1 1/2	—	3 3/4	2.75	3 1/2	4.6
36	P368M85-SH	SH	3.609	3.555	3.937	AF-1	1 1/16	1	1 1/4	1 1/2	1 1/2	—	3 3/4	2.82	3 1/2	5.2
38	P388M85-SH	SH	3.810	3.756	4.134	AF-1	1 1/16	1	1 1/4	1 1/2	1 1/2	—	3 3/4	3.00	3 1/2	5.8
40	P408M85-SD	SD	4.010	3.956	4.344	AF-1	2	1 1/16	1 3/16	1 1/4	1 1/4	—	3 3/4	3.25	3 1/2	5.6
44	P448M85-SD	SD	4.411	4.357	4.750	AF-1	2	1 1/16	1 3/16	1 1/4	1 1/4	—	3 3/4	3.50	3 1/2	6.2
48	P488M85-SD	SD	4.812	4.758	5.157	AF-1	2	1 1/16	1 3/16	1 1/4	1 1/4	—	3 3/4	3.80	3 1/2	7.8
56	P568M85-SK	SK	5.614	5.560	5.937	AF-1	2 5/8	5/8	1 7/8	1 1/4	1 1/4	—	3 3/4	4.60	3 1/2	9.8
64	P648M85-SF	SF	6.416	6.362	6.750	AF-1	2 5/8	5/8	1 7/8	1 1/4	1 1/4	—	3 3/4	5.40	3 1/2	13.0
72	P728M85-E	E	7.218	7.164	7.562	AF-1	2 5/16	5/8	2	1 1/8	1 1/4	—	3 3/4	6.20	3 1/2	16.0
80	P808M85-E	E	8.020	7.966	8.375	AF-1	2 5/16	5/8	2	1 1/8	1 1/4	—	3 3/4	6.90	3 1/2	17.0
90	P908M85-E	E	9.023	8.969	—	A-2	2 5/16	5/8	2	1 1/8	1 1/4	—	3 3/4	7.62	—	20.0
112	P1128M85-F	F	11.229	11.175	—	A-3	2 5/16	5/8	2	1 1/8	1 1/4	—	3 3/4	9.88	—	28.0
144	P1448M85-F	F	14.447	14.383	—	A-3	4	3/8	3 3/8	1 1/4	1 1/4	—	3 3/4	12.88	3 1/2	79.0
192	P1928M85-F	F	19.249	19.195	—	A-3	4	3/8	3 3/8	1 1/2	1 1/2	—	3 3/4	17.65	3 1/2	101.4
Taper Bushed 85mm (3.35 in.) Wide Belts (8M-85)																
34	P348M85-1615	1615	3.409	3.355	3.75	WF-1	1 1/16	3/4	1 1/2	1 1/2	—	—	3 3/4	2.750	3 1/2	3.3
36	P368M85-1615	1615	3.609	3.555	3.94	WF-1	1 1/16	3/4	1 1/2	1 1/2	—	—	3 3/4	2.820	3 1/2	4.2
38	P388M85-1615	1615	3.810	3.756	4.16	WF-1	1 1/16	3/4	1 1/2	1 1/2	—	—	3 3/4	3.000	3 1/2	4.7
40	P408M85-2012	2012	4.010	3.956	4.34	WF-1	2 1/8	1 1/4	1 1/4	1 1/4	—	—	3 3/4	3.250	3 1/2	4.7
44	P448M85-2012	2012	4.411	4.357	4.75	WF-1	2 1/8	1 1/4	1 1/4	1 1/4	—	—	3 3/4	3.500	3 1/2	6.4
48	P488M85-2012	2012	4.812	4.758	5.16	WF-1	2 1/8	1 1/4	1 1/4	1 1/4	—	—	3 3/4	3.800	3 1/2	8.0
56	P568M85-2517	2517	5.614	5.560	5.94	WF-1	2 13/16	1	1 3/4	1	—	—	3 3/4	4.500	3 1/2	11.0
64	P648M85-2517	2517	6.416	6.362	6.75	WF-1	2 13/16	1	1 3/4	1	—	—	3 3/4	5.400	3 1/2	15.0
72	P728M85-3020	3020	7.218	7.164	7.56	WF-1	3 1/4	7/8	2	7/8	—	—	3 3/4	6.200	3 1/2	18.2
80	P808M85-3020	3020	8.020	7.966	8.38	WF-1	3 1/4	7/8	2	7/8	—	—	3 3/4	6.900	3 1/2	24.2
90	P908M85-3020	3020	9.023	8.969	—	W-1	3 3/4	7/8	2	7/8	—	—	3 3/4	7.630	—	31.9
112	P1128M85-3020	3020	11.229	11.175	—	W-3	3 3/4	7/8	2	7/8	—	6 1/4	3 3/4	9.880	—	34.6
144	P1448M85-3535	3535	14.437	14.383	—	W-3	3 5/8	1 1/8	3 1/2	1 1/8	—	7	3 3/4	12.880	—	49.6
192	P1928M85-3535	3535	19.249	19.195	—	W-3	3 5/8	1 1/8	3 1/2	1 1/8	—	7	3 3/4	17.630	—	81.4

* Weight Shown is for Sprocket Less Bushing.
• Reverse Mount Only

+ The numbers (1=Solid, 2=Web, 3=Arms), within the "Type" indicates construction and the letter F indicates the sprocket has flanges.



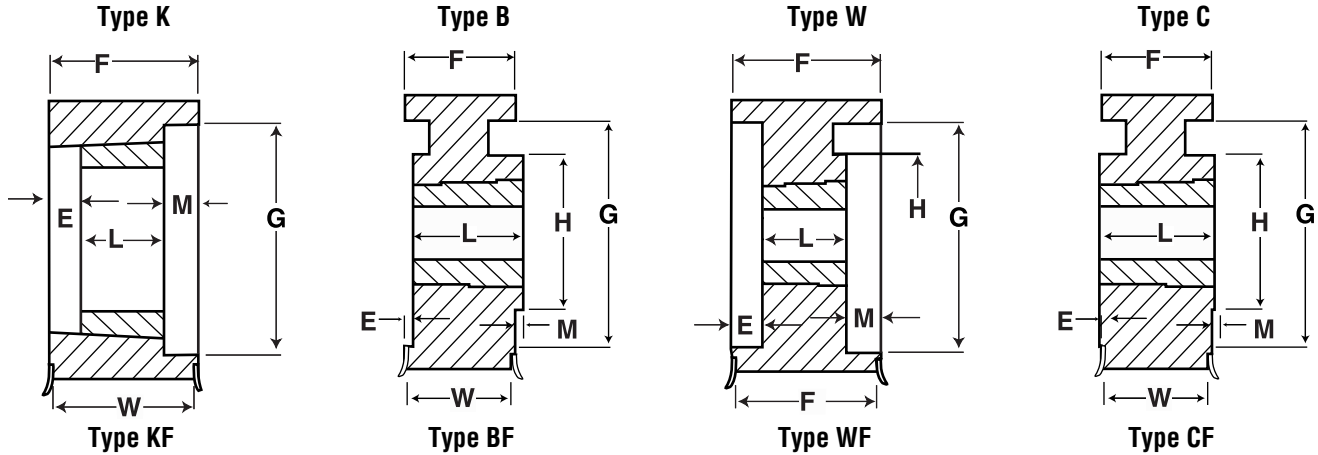
QD 40mm (1.570 in.) Wide Belts (140M-40)																
No. of Teeth	Catalog Number	Bore	P.D.	Diameter (in.)		Type +	Max. Bore	Dimensions (in.)								Weight Approx. (lbs)
				O.D.	Flange			E	L	M	K	H	F	G	W	
28	P2814M40-SK	SK	4.912	4.802	5.56	• EF-1	2%	7/8	1 1/8	3/8	—	—	2 1/2	3.13	1 13/16	5.5
29	P2914M40-SK	SK	5.088	4.978	5.56	• EF-1	2%	7/8	1 1/8	3/8	—	—	2 1/2	3.13	1 13/16	6.5
30	P3014M40-SK	SK	5.263	5.153	6.13	DF-1	2%	3/16	1 1/8	7/16	—	—	2 1/2	3.92	1 13/16	6.0
32	P3214M40-SK	SK	5.614	5.504	6.13	DF-1	2%	3/16	1 1/8	7/16	7/16	—	2 1/2	3.92	1 13/16	8.0
34	P3414M40-SK	SK	5.965	5.855	6.50	DF-1	2%	3/16	1 1/8	7/16	7/16	—	2 1/2	4.06	1 13/16	8.5
36	P3614M40-SF	SF	6.316	6.206	6.81	DF-1	2%	3/16	2	3/16	7/16	—	2 1/2	4.69	1 13/16	9.5
38	P3814M40-SF	SF	6.667	6.557	7.16	DF-1	2%	3/16	2	3/16	7/16	—	2 1/2	4.94	1 13/16	11.5
40	P4014M40-SF	SF	7.018	6.909	7.50	DF-1	2%	3/16	2	3/16	7/16	—	2 1/2	5.06	1 13/16	13.0
44	P4414M40-E	E	7.720	7.610	8.22	DF-1	3 1/2	5/8	2 1/2	1/2	1/4	—	2 1/2	6.12	1 13/16	16.5
48	P4814M40-E	E	8.421	8.311	8.94	DF-1	3 1/2	5/8	2 1/2	1/2	1/4	—	2 1/2	6.50	1 13/16	20.0
52	P5214M40-E	E	9.123	9.013	9.69	DF-1	3 1/2	5/8	2 1/2	1/2	1/4	—	2 1/2	7.18	1 13/16	24.0
56	P5614M40-E	E	9.825	9.715	10.38	DF-1	3 1/2	5/8	2 1/2	1/2	1/4	—	2 1/2	7.88	1 13/16	28.0
60	P6014M40-E	E	10.527	10.417	11.06	DF-1	3 1/2	5/8	2 1/2	1/2	1/4	—	2 1/2	8.50	1 13/16	32.0
64	P6414M40-E	E	11.229	11.119	11.75	DF-2	3 1/2	5/8	2 1/2	1/2	1/4	—	2 1/2	9.25	1 13/16	29.0
68	P6814M40-E	E	11.930	11.820	12.50	DF-2	3 1/2	5/8	2 1/2	1/2	1/4	—	2 1/2	10.00	1 13/16	31.0
72	P7214M40-E	E	12.632	12.522	13.19	DF-2	3 1/2	5/8	2 1/2	1/2	1/4	—	2 1/2	10.69	1 13/16	33.0
80	P8014M40-E	E	14.036	13.926	14.63	DF-2	3 1/2	5/8	2 1/2	1/2	1/4	—	2 1/2	12.13	1 13/16	38.0
90	P9014M40-E	E	15.790	15.680	—	D-3	3 1/2	5/8	2 1/2	1/2	1/4	—	2 1/2	14.00	—	39.0
112	P11214M40-E	E	19.650	19.540	—	D-3	3 1/2	5/8	2 1/2	1/2	1/4	—	2 1/2	17.80	—	51.0
144	P14414M40-E	E	25.264	25.154	—	D-3	3 1/2	5/8	2 1/2	1/2	1/4	—	2 1/2	23.38	—	80.0
Taper Bushed 40mm (1.570 in.) Wide Belts (140M-40)																
28	P2814M40-2012	2012	4.912	4.802	5.56	KF-1	2%	—	1 1/4	7/8	—	—	2 1/2	3.375	1 13/16	3.5
29	P2914M40-2012	2012	5.088	4.978	5.56	KF-1	2%	—	1 1/4	7/8	—	—	2 1/2	3.375	1 13/16	3.9
30	P3014M40-2012	2012	5.263	5.153	6.13	KF-1	2%	—	1 1/4	7/8	—	—	2 1/2	3.928	1 13/16	6.4
32	P3214M40-2012	2012	5.614	5.504	6.13	KF-1	2%	—	1 1/4	7/8	—	—	2 1/2	3.928	1 13/16	8.0
34	P3414M40-2012	2012	5.965	5.855	6.50	KF-1	2%	—	1 1/4	7/8	—	—	2 1/2	4.063	1 13/16	9.4
36	P3614M40-2517	2517	6.316	6.206	6.81	KF-1	2 11/16	—	1 1/4	3/8	—	—	2 1/2	4.688	1 13/16	10.5
38	P3814M40-2517	2517	6.667	6.557	7.16	KF-1	2 11/16	—	1 1/4	3/8	—	—	2 1/2	4.813	1 13/16	12.2
40	P4014M40-2517	2517	7.018	6.908	7.50	KF-1	2 11/16	—	1 1/4	3/8	—	—	2 1/2	5.188	1 13/16	14.2
44	P4414M40-2517	2517	7.720	7.610	8.22	KF-1	2 11/16	—	1 1/4	3/8	—	—	2 1/2	6.125	1 13/16	17.6
48	P4814M40-2517	2517	8.421	8.311	8.94	KF-1	2 11/16	—	1 1/4	3/8	—	—	2 1/2	6.500	1 13/16	22.0
52	P5214M40-2517	2517	9.123	9.013	9.69	KF-1	2 11/16	—	1 1/4	3/8	—	—	2 1/2	7.188	1 13/16	26.5
56	P5614M40-2517	2517	9.825	9.715	10.38	WF-2	2 11/16	—	1 1/4	3/8	4 7/8	—	2 1/2	7.875	1 13/16	21.5
60	P6014M40-3020	3020	10.527	10.417	11.06	WF-2	3 1/4	—	2	1/2	6 1/4	—	2 1/2	8.500	1 13/16	33.7
64	P6414M40-3020	3020	11.229	11.119	11.75	WF-2	3 1/4	—	2	1/2	6 1/4	—	2 1/2	9.250	1 13/16	36.5
68	P6814M40-3020	3020	11.930	11.820	12.50	WF-2	3 1/4	—	2	1/2	6 1/4	—	2 1/2	10.000	1 13/16	39.3
72	P7214M40-3020	3020	12.632	12.522	13.19	WF-2	3 1/4	—	2	1/2	6 1/4	—	2 1/2	10.688	1 13/16	42.6
80	P8014M40-3020	3020	14.036	13.926	14.63	WF-3	3 1/4	—	2	1/2	6 1/4	—	2 1/2	12.125	1 13/16	38.8
90	P9014M40-3020	3020	15.790	15.680	—	W-3	3 1/4	—	2	1/2	6 1/4	—	2 1/2	13.563	—	44.5
112	P11214M40-3020	3020	19.650	19.540	—	W-3	3 1/4	—	2	1/2	6 1/4	—	2 1/2	17.375	—	64.9
144	P14414M40-3020	3020	25.264	25.154	—	W-3	3 1/4	—	2	1/2	6 1/4	—	2 1/2	23.000	—	97.4

* Weight Shown is for Sprocket Less Bushing.

• Reverse Mount Only

+ The numbers (1=Solid, 2=Web, 3=Arms), within the "Type" indicates construction and the letter F indicates the sprocket has flanges.

High Torque Sprockets 14mm



QD 55mm (2.17 in.) Wide Belts (14M-55)

No. of Teeth	Catalog Number	Bore	P.D.	Diameter (in.)		Type +	Max. Bore	Dimensions (in.)							Weight* Approx. (lbs)	
				O.D.	Flange			E	L	M	K	H	F	G		W
28	P2814M55-SK	SK	4.912	4.808	5.56	• EF-1	2 $\frac{1}{2}$	1 $\frac{1}{2}$	1 $\frac{1}{4}$	$\frac{5}{8}$	—	—	2 $\frac{1}{4}$	3.13	2 $\frac{1}{16}$	7.0
29	P2914M55-SK	SK	5.088	4.983	5.56	• EF-1	2 $\frac{1}{2}$	1 $\frac{1}{2}$	1 $\frac{1}{4}$	$\frac{5}{8}$	—	—	2 $\frac{1}{4}$	3.13	2 $\frac{1}{16}$	8.0
30	P3014M55-SK	SK	5.263	5.157	6.13	AF-1	2 $\frac{1}{2}$	$\frac{1}{2}$	1 $\frac{1}{4}$	$\frac{3}{4}$	$\frac{3}{4}$	—	2 $\frac{1}{4}$	3.92	2 $\frac{1}{16}$	7.5
32	P3214M55-SK	SK	5.614	5.507	6.13	AF-1	2 $\frac{1}{2}$	$\frac{1}{2}$	1 $\frac{1}{4}$	$\frac{3}{4}$	$\frac{3}{4}$	—	2 $\frac{1}{4}$	3.92	2 $\frac{1}{16}$	9.0
34	P3414M55-SK	SK	5.965	5.858	6.50	AF-1	2 $\frac{1}{2}$	$\frac{1}{2}$	1 $\frac{1}{4}$	$\frac{3}{4}$	$\frac{3}{4}$	—	2 $\frac{1}{4}$	4.06	2 $\frac{1}{16}$	10.0
36	P3614M55-SF	SF	6.316	6.208	6.81	AF-1	2 $\frac{1}{2}$	$\frac{1}{2}$	2	$\frac{5}{8}$	$\frac{3}{4}$	—	2 $\frac{1}{4}$	4.69	2 $\frac{1}{16}$	11.0
38	P3814M55-SF	SF	6.667	6.559	7.16	AF-1	2 $\frac{1}{2}$	$\frac{1}{2}$	2	$\frac{5}{8}$	$\frac{3}{4}$	—	2 $\frac{1}{4}$	4.94	2 $\frac{1}{16}$	13.0
40	P4014M55-SF	SF	7.018	6.909	7.50	AF-1	2 $\frac{1}{2}$	$\frac{1}{2}$	2	$\frac{5}{8}$	$\frac{3}{4}$	—	2 $\frac{1}{4}$	5.06	2 $\frac{1}{16}$	15.0
44	P4414M55-E	E	7.720	7.610	8.22	DF-1	3 $\frac{1}{2}$	$\frac{5}{16}$	2 $\frac{1}{2}$	$\frac{7}{16}$	$\frac{9}{16}$	—	2 $\frac{1}{4}$	6.12	2 $\frac{1}{16}$	19.0
48	P4814M55-E	E	8.421	8.311	8.94	DF-1	3 $\frac{1}{2}$	$\frac{5}{16}$	2 $\frac{1}{2}$	$\frac{7}{16}$	$\frac{9}{16}$	—	2 $\frac{1}{4}$	6.50	2 $\frac{1}{16}$	23.0
52	P5214M55-E	E	9.123	9.013	9.69	DF-1	3 $\frac{1}{2}$	$\frac{5}{16}$	2 $\frac{1}{2}$	$\frac{7}{16}$	$\frac{9}{16}$	—	2 $\frac{1}{4}$	7.18	2 $\frac{1}{16}$	27.0
56	P5614M55-E	E	9.825	9.715	10.38	DF-1	3 $\frac{1}{2}$	$\frac{5}{16}$	2 $\frac{1}{2}$	$\frac{7}{16}$	$\frac{9}{16}$	—	2 $\frac{1}{4}$	7.88	2 $\frac{1}{16}$	32.0
60	P6014M55-E	E	10.527	10.417	11.06	DF-1	3 $\frac{1}{2}$	$\frac{5}{16}$	2 $\frac{1}{2}$	$\frac{7}{16}$	$\frac{9}{16}$	—	2 $\frac{1}{4}$	8.50	2 $\frac{1}{16}$	36.0
64	P6414M55-F	F	11.229	11.119	11.75	CF-1	4	$\frac{7}{8}$	3 $\frac{3}{4}$	0	$\frac{1}{2}$	—	2 $\frac{1}{4}$	9.25	2 $\frac{1}{16}$	53.0
68	P6814M55-F	F	11.930	11.820	12.50	DF-2	4	$\frac{7}{8}$	3 $\frac{3}{4}$	0	$\frac{1}{2}$	—	2 $\frac{1}{4}$	10.00	2 $\frac{1}{16}$	43.0
72	P7214M55-F	F	12.632	12.522	13.19	CF-2	4	$\frac{7}{8}$	3 $\frac{3}{4}$	0	$\frac{1}{2}$	—	2 $\frac{1}{4}$	10.69	2 $\frac{1}{16}$	49.0
80	P8014M55-F	F	14.036	13.926	14.63	CF-2	4	$\frac{7}{8}$	3 $\frac{3}{4}$	0	$\frac{1}{2}$	—	2 $\frac{1}{4}$	12.13	2 $\frac{1}{16}$	54.0
90	P9014M55-F	F	15.790	15.680	—	C-3	4	$\frac{7}{8}$	3 $\frac{3}{4}$	0	$\frac{1}{2}$	—	2 $\frac{1}{4}$	14.00	—	55.0
112	P11214M55-F	F	19.650	19.540	—	C-3	4	$\frac{7}{8}$	3 $\frac{3}{4}$	0	$\frac{1}{2}$	—	2 $\frac{1}{4}$	17.88	—	71.0
144	P14414M55-F	F	25.264	25.154	—	C-3	4	$\frac{7}{8}$	3 $\frac{3}{4}$	0	$\frac{1}{2}$	—	2 $\frac{1}{4}$	23.38	—	106.0
168	P16814M55-F	F	29.475	29.365	—	C-3	4	$\frac{7}{8}$	3 $\frac{3}{4}$	0	$\frac{1}{2}$	—	2 $\frac{1}{4}$	27.56	—	124.0
192	P19214M55-F	F	33.686	33.576	—	C-3	4	$\frac{7}{8}$	3 $\frac{3}{4}$	0	$\frac{1}{2}$	—	2 $\frac{1}{4}$	31.81	—	146.0
216	P21614M55-F	F	37.896	37.786	—	C-3	4	$\frac{7}{8}$	3 $\frac{3}{4}$	0	$\frac{1}{2}$	—	2 $\frac{1}{4}$	35.75	—	205.0

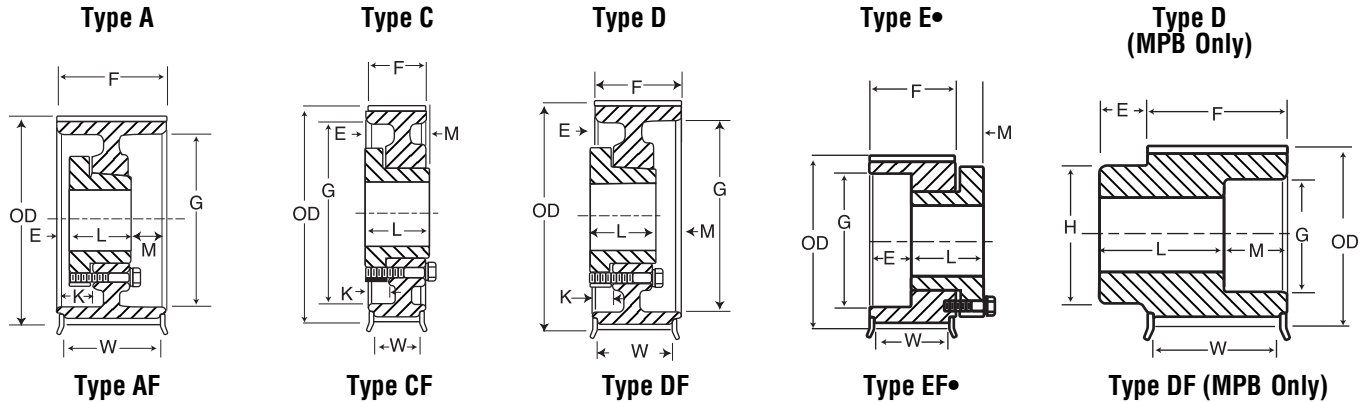
Taper Bushed 55mm (2.17 in.) Wide Belts (14M-55)

28	P2814M55-2012	2012	4.912	4.802	5.56	KF-1	2 $\frac{1}{2}$	—	1 $\frac{1}{4}$	1 $\frac{1}{2}$	—	—	2 $\frac{1}{4}$	3.375	2 $\frac{1}{16}$	7.4
29	P2914M55-2012	2012	5.088	4.978	5.56	KF-1	2 $\frac{1}{2}$	—	1 $\frac{1}{4}$	1 $\frac{1}{2}$	—	—	2 $\frac{1}{4}$	3.375	2 $\frac{1}{16}$	8.4
30	P3014M55-2517	2517	5.263	5.153	6.13	KF-1	2 $\frac{1}{16}$	—	1 $\frac{3}{4}$	1	—	—	2 $\frac{1}{4}$	3.928	2 $\frac{1}{16}$	7.2
32	P3214M55-2517	2517	5.614	5.504	6.13	KF-1	2 $\frac{1}{16}$	—	1 $\frac{3}{4}$	1	—	—	2 $\frac{1}{4}$	3.928	2 $\frac{1}{16}$	9.3
34	P3414M55-2517	2517	5.965	5.855	6.50	KF-1	2 $\frac{1}{16}$	—	1 $\frac{3}{4}$	1	—	—	2 $\frac{1}{4}$	4.063	2 $\frac{1}{16}$	11.2
36	P3614M55-2517	2517	6.316	6.206	6.81	KF-1	2 $\frac{1}{16}$	—	1 $\frac{3}{4}$	1	—	—	2 $\frac{1}{4}$	4.688	2 $\frac{1}{16}$	12.4
38	P3814M55-2517	2517	6.667	6.557	7.16	KF-1	2 $\frac{1}{16}$	—	1 $\frac{3}{4}$	1	—	—	2 $\frac{1}{4}$	4.813	2 $\frac{1}{16}$	14.4
40	P4014M55-2517	2517	7.018	6.908	7.50	KF-1	2 $\frac{1}{16}$	—	1 $\frac{3}{4}$	1	—	—	2 $\frac{1}{4}$	5.188	2 $\frac{1}{16}$	16.7
44	P4414M55-2517	2517	7.720	7.610	8.22	KF-1	2 $\frac{1}{16}$	—	1 $\frac{3}{4}$	1	—	—	2 $\frac{1}{4}$	6.125	2 $\frac{1}{16}$	19.9
48	P4814M55-3020	3020	8.421	8.311	8.94	KF-1	3 $\frac{1}{4}$	—	2	$\frac{3}{4}$	—	—	2 $\frac{1}{4}$	6.500	2 $\frac{1}{16}$	29.2
52	P5214M55-3020	3020	9.123	9.013	9.69	KF-1	3 $\frac{1}{4}$	—	2	$\frac{3}{4}$	—	—	2 $\frac{1}{4}$	7.188	2 $\frac{1}{16}$	34.5
56	P5614M55-3020	3020	9.825	9.715	10.38	KF-1	3 $\frac{1}{4}$	—	2	$\frac{3}{4}$	—	—	2 $\frac{1}{4}$	7.875	2 $\frac{1}{16}$	40.1
60	P6014M55-3020	3020	10.527	10.417	11.06	WF-2	3 $\frac{1}{4}$	—	2	$\frac{3}{4}$	—	6 $\frac{1}{4}$	2 $\frac{1}{4}$	8.500	2 $\frac{1}{16}$	46.4
64	P6414M55-3020	3020	11.229	11.119	11.75	WF-2	3 $\frac{1}{4}$	—	2	$\frac{3}{4}$	—	6 $\frac{1}{4}$	2 $\frac{1}{4}$	9.250	2 $\frac{1}{16}$	52.7
68	P6814M55-3020	3020	11.930	11.820	12.50	WF-2	3 $\frac{1}{4}$	—	2	$\frac{3}{4}$	—	6 $\frac{1}{4}$	2 $\frac{1}{4}$	10.000	2 $\frac{1}{16}$	45.5
72	P7214M55-3020	3020	12.632	12.522	13.19	WF-2	3 $\frac{1}{4}$	—	2	$\frac{3}{4}$	—	6 $\frac{1}{4}$	2 $\frac{1}{4}$	10.688	2 $\frac{1}{16}$	49.5
80	P8014M55-3020	3020	14.036	13.926	14.63	WF-3	3 $\frac{1}{4}$	—	2	$\frac{3}{4}$	—	6 $\frac{1}{4}$	2 $\frac{1}{4}$	12.125	2 $\frac{1}{16}$	45.2
90	P9014M55-3020	3020	15.790	15.680	—	W-3	3 $\frac{1}{4}$	—	2	$\frac{3}{4}$	—	6 $\frac{1}{4}$	2 $\frac{1}{4}$	13.563	—	46.1
112	P11214M55-3020	3020	19.650	19.540	—	W-3	3 $\frac{1}{4}$	—	2	$\frac{3}{4}$	—	6 $\frac{1}{4}$	2 $\frac{1}{4}$	17.375	—	69.8
144	P14414M55-3020	3020	25.264	25.154	—	W-3	3 $\frac{1}{4}$	—	2	$\frac{3}{4}$	—	6 $\frac{1}{4}$	2 $\frac{1}{4}$	23.000	—	104.4
192	P19214M55-3535	3535	33.686	33.576	—	C-3	3 $\frac{1}{16}$	0.38	3 $\frac{1}{2}$	$\frac{5}{8}$	—	7	2 $\frac{1}{4}$	31.375	—	104.2

* Weight Shown is for Sprocket Less Bushing.

• Reverse Mount Only

+ The numbers (1=Solid, 2=Web, 3=Arms), within the "Type" indicates construction and the letter F indicates the sprocket has flanges.

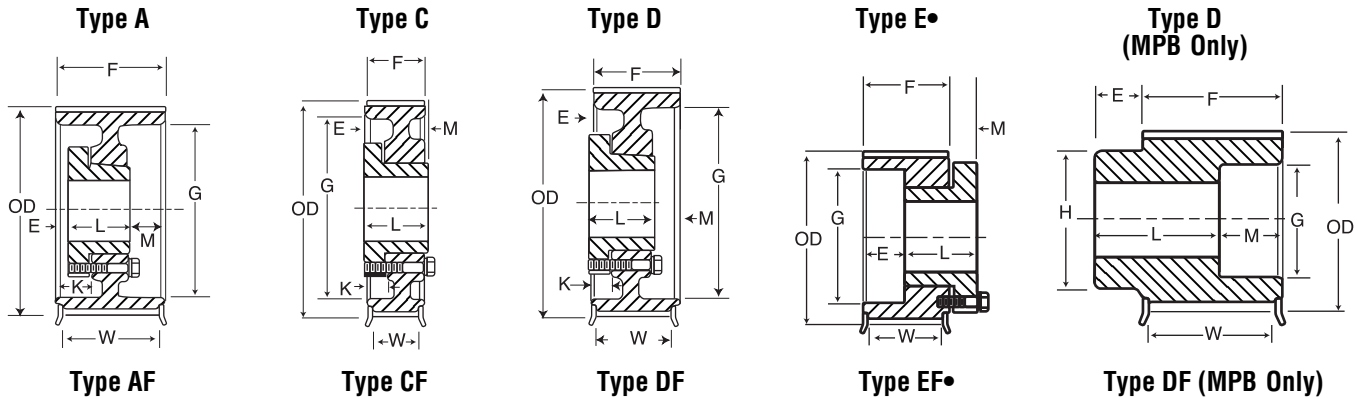


MPB 85mm (3.35in.) Wide Belts (14M-85)																	
No. of Teeth	Catalog Number	Bore	P.D.	Diameter (in.)		Type +	Max. Bore	Dimensions (in.)								Weight* Approx. (lbs)	
				O.D.	Flange			E	L	M	K	H	F	G	W		
28	P2814M85-MPB	1¼	4.912	4.802	5.56	DF-1	2⅝	1	4	1	—	3⅛	4	3.13	3⅛	18.0	
29	P2914M85-MPB	1¼	5.088	4.983	5.56	DF-1	2⅝	1	4	1	—	3⅛	4	3.13	3⅛	19.4	
30	P3014M85-MPB	1¼	5.263	5.157	6.13	DF-1	2½	1	4	1	—	4¾	4	3.72	3⅛	20.6	
32	P3214M85-MPB	1¼	5.614	5.507	6.13	DF-1	2½	1	4	1	—	4¾	4	3.72	3⅛	23.4	
34	P3414M85-MPB	1¼	5.965	5.858	6.50	DF-1	2⅞	1	4	1	—	4¾	4	4.06	3⅛	27.4	
QD 85mm (3.35in.) Wide Belts (14M-85)																	
30	P3014M85-SK	SK	5.293	5.157	6.13	AF-1	2½	¾	1½	1½	1½	—	4	3.92	3⅛	10.0	
32	P3214M85-SK	SK	5.614	5.507	6.13	AF-1	2½	¾	1½	1½	1½	—	4	3.92	3⅛	13.0	
34	P3414M85-SK	SK	5.965	5.853	6.13	AF-1	2½	¾	1½	1½	1½	—	4	4.06	3⅛	14.0	
36	P3614M85-SF	SF	6.316	6.206	6.81	AF-1	2½	¾	2	1¼	1½	—	4	4.69	3⅛	15.0	
38	P3814M85-SF	SF	6.667	6.557	7.16	AF-1	2½	¾	2	1¼	1½	—	4	4.94	3⅛	18.0	
40	P4014M85-SF	SF	7.018	6.909	7.50	AF-1	2½	¾	2	1¼	1½	—	4	5.06	3⅛	20.0	
44	P4414M85-E	E	7.720	7.610	8.22	AF-1	3½	⅝	2½	1½	1½	—	4	6.12	3⅛	25.0	
48	P4814M85-E	E	8.421	8.311	8.94	AF-1	3½	⅝	2½	1½	1½	—	4	6.50	3⅛	29.0	
52	P5214M85-E	E	9.123	9.013	9.69	AF-1	3½	⅝	2½	1½	1½	—	4	7.18	3⅛	32.0	
56	P5614M85-F	F	9.825	9.715	10.38	DF-1	4	¼	3¾	¾	¾	—	4	7.88	3⅛	46.0	
60	P6014M85-F	F	10.527	10.417	11.06	DF-1	4	¼	3¾	¾	¾	—	4	8.50	3⅛	51.0	
64	P6414M85-F	F	11.229	11.119	11.75	DF-1	4	¼	3¾	¾	¾	—	4	9.25	3⅛	62.0	
68	P6814M85-F	F	11.930	11.820	12.50	DF-2	4	¼	3¾	¾	¾	—	4	10.00	3⅛	51.0	
72	P7214M85-F	F	12.632	12.522	13.19	DF-2	4	¼	3¾	¾	¾	—	4	10.69	3⅛	60.0	
80	P8014M85-F	F	14.036	13.926	14.63	DF-2	4	¼	3¾	¾	¾	—	4	12.13	3⅛	66.0	
90	P9014M85-F	F	15.790	15.680	—	D-3	4	¼	3¾	¾	¾	—	4	14.00	—	69.0	
112	P11214M85-F	F	19.650	19.540	—	D-3	4	¼	3¾	¾	¾	—	4	17.88	—	89.0	
144	P14414M85-F	F	25.264	25.154	—	D-3	4	¼	3¾	¾	¾	—	4	23.38	—	127.0	
168	P16814M85-J	J	29.475	29.365	—	D-3	4½	¼	3¾	¾	¾	—	4	27.56	—	148.0	
192	P19214M85-J	J	33.686	33.576	—	D-3	4½	¼	3¾	¾	¾	—	4	31.81	—	177.0	
216	P21614M85-J	J	37.896	37.786	—	D-3	4½	¼	3¾	¾	¾	—	4	35.75	—	251.0	
Taper Bushed 85mm (3.35in.) Wide Belts (14M-85)																	
30	P3014M85-2517	2517	5.263	5.153	6.13	WF-1	2½	½	1¼	1¼	—	—	4	3.928	3⅛	9.7	
32	P3214M85-2517	2517	5.614	5.504	6.13	WF-1	2⅞	⅝	1¼	1¼	—	—	4	3.928	3⅛	12.7	
34	P3414M85-2517	2517	5.965	5.855	6.50	WF-1	2⅞	⅝	1¼	1¾	—	—	4	4.063	3⅛	15.3	
36	P3614M85-3020	3020	6.316	6.206	6.81	WF-1	3¼	⅞	2	1½	—	—	4	4.688	3⅛	19.3	
38	P3814M85-3020	3020	6.667	6.557	7.16	WF-1	3¼	⅞	2	1½	—	—	4	4.813	3⅛	21.9	
40	P4014M85-3020	3020	7.018	6.908	7.50	WF-1	3¼	⅞	2	1½	—	—	4	5.063	3⅛	25.1	
44	P4414M85-3020	3020	7.720	7.610	8.22	WF-1	3¼	⅞	2	1½	—	—	4	6.125	3⅛	28.4	
48	P4814M85-3020	3020	8.421	8.311	8.94	WF-1	3¼	⅞	2	1½	—	—	4	6.500	3⅛	35.4	
52	P5214M85-3535	3535	9.123	9.013	9.69	KF-1	3⅝	—	3½	½	—	—	4	7.188	3⅛	42.9	
56	P5614M85-3535	3535	9.825	9.715	10.38	KF-1	3⅝	—	3½	½	—	—	4	7.875	3⅛	52.4	
60	P6014M85-3535	3535	10.527	10.417	11.06	KF-1	3⅝	—	3½	½	—	—	4	8.500	3⅛	62.7	
64	P6414M85-3535	3535	11.229	11.119	11.75	KF-1	3⅝	—	3½	½	—	—	4	9.250	3⅛	73.6	
68	P6814M85-3535	3535	11.930	11.820	12.50	KF-1	3⅝	—	3½	½	—	—	4	10.000	3⅛	64.2	
72	P7214M85-3535	3535	12.632	12.522	13.19	KF-1	3⅝	—	3½	½	—	—	4	10.688	3⅛	97.4	
80	P8014M85-3535	3535	14.036	13.926	14.63	WF-2	3⅝	—	3½	½	—	—	4	12.125	3⅛	68.4	
90	P9014M85-3535	3535	15.790	15.680	—	W-3	3⅝	—	3½	½	—	7	4	13.563	—	69.1	
112	P11214M85-3535	3535	19.650	19.540	—	W-3	3⅝	—	3½	½	—	7	4	17.375	—	85.7	
144	P14414M85-4040	4040	25.264	25.154	—	W-3	4¾	—	4	—	—	8½	4	23.000	—	131.6	
168	P16814M85-4040	4040	29.475	29.365	—	W-3	4¾	—	4	—	—	8½	4	27.250	—	146.1	
192	P19214M85-4040	4040	33.686	33.576	—	W-3	4¾	—	4	—	—	8½	4	31.375	—	161.4	

* Weight Shown is for Sprocket Less Bushing.
• Reverse Mount Only

+ The numbers (1=Solid, 2=Web, 3=Arms), within the "Type" indicates construction and the letter F indicates the sprocket has flanges.

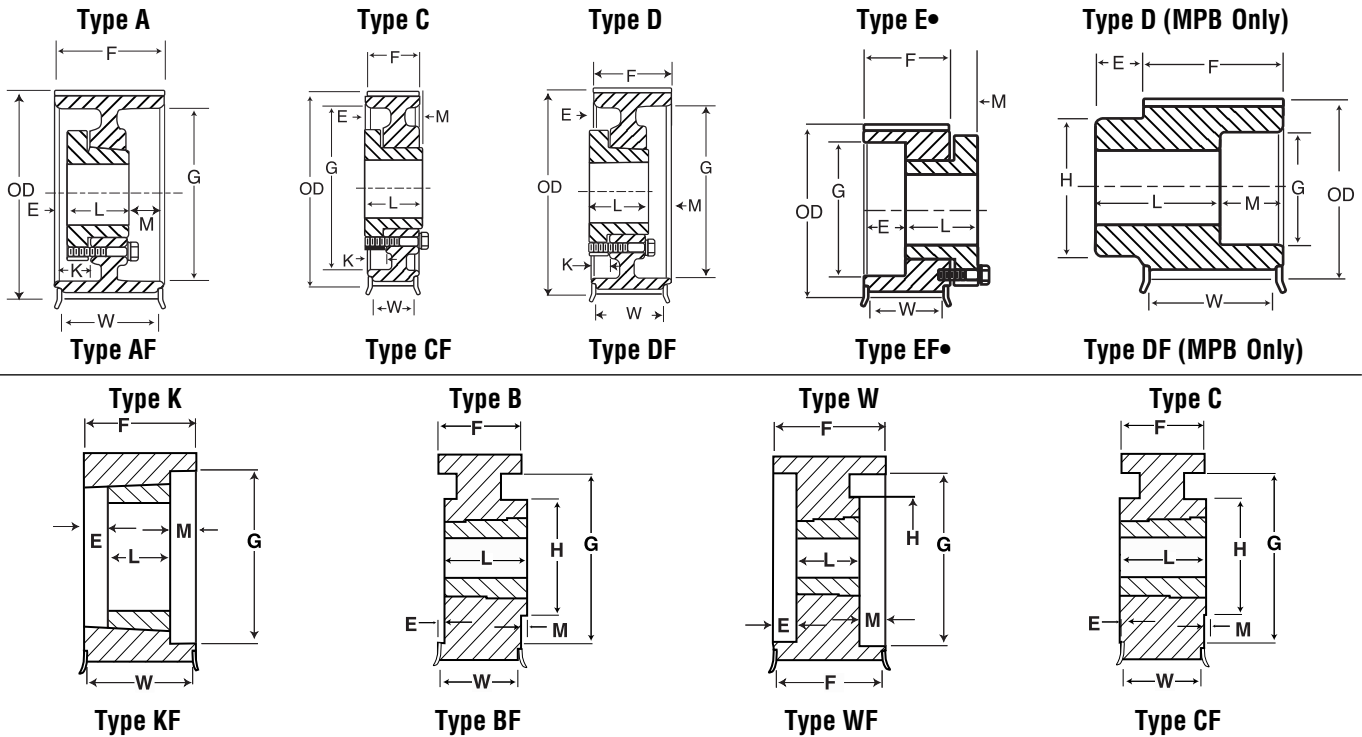
High Torque Sprockets 14mm



MPB 115mm (4.53 in.) Wide Belts (14M-115)																
No. of Teeth	Catalog Number	Bore	P.D.	Diameter (in.)		Type +	Max. Bore	Dimensions (in.)					Weight* Approx. (lbs)			
				O.D.	Flange			E	L	M	K	H		F	G	W
28	P2814M115-MPB	1 1/4	4.912	4.808	5.56	DF-1	2 5/16	1 1/4	5	1 1/2	—	3 1/16	5 1/4	3.13	4 1/16	23.2
29	P2914M115-MPB	1 1/4	5.088	4.983	5.56	DF-1	2 5/16	1 1/4	5	1 1/2	—	3 1/16	5 1/4	3.13	4 1/16	24.8
30	P3014M115-MPB	1 1/4	5.263	5.157	6.13	DF-1	2 1/2	1 1/4	5	1 1/2	—	4 3/64	5 1/4	3.90	4 1/16	26.4
32	P3214M115-MPB	1 1/4	5.614	5.507	6.13	DF-1	2 1/2	1 1/4	5	1 1/2	—	4 3/64	5 1/4	3.90	4 1/16	30.8
34	P3414M115-MPB	1 1/4	5.965	5.858	6.50	DF-1	2 11/16	1 1/4	5	1 1/2	—	4 31/64	5 1/4	4.06	4 1/16	35.2
36	P3614M115-MPB	1 1/4	6.316	6.208	6.81	DF-1	3	1 1/4	5	1 1/2	—	4 7/8	5 1/4	4.69	4 1/16	38.8
38	P3814M115-MPB	1 1/4	6.667	6.559	7.16	DF-1	3 1/4	1 1/4	5	1 1/2	—	5 11/64	5 1/4	4.94	4 1/16	44.4
40	P4014M115-MPB	1 1/4	7.018	6.909	7.50	DF-1	3 3/8	1 1/4	5	1 1/2	—	5 5/16	5 1/4	5.06	4 1/16	50.0
QD 115mm (4.53 in.) Wide Belts (14M-115)																
30	P3014M115-SK	1 1/4	5.263	5.157	6.13	AF-1	2 7/8	1 3/8	1 1/8	2	2	—	5 1/4	3.92	4 1/16	12.0
32	P3214M115-SK	1 1/4	5.614	5.507	6.13	AF-1	2 7/8	1 3/8	1 1/8	2	2	—	5 1/4	3.92	4 1/16	16.0
34	P3414M115-SK	1 1/4	5.965	5.858	6.50	AF-1	2 7/8	1 3/8	1 1/8	2	2	—	5 1/4	4.06	4 1/16	17.0
36	P3614M115-SF	1 1/4	6.316	6.208	6.81	AF-1	3	1 3/8	2	1 7/8	2	—	5 1/4	4.69	4 1/16	18.0
38	P3814M115-SF	1 1/4	6.667	6.559	7.16	AF-1	3	1 3/8	2	1 7/8	2	—	5 1/4	4.94	4 1/16	22.0
40	P4014M115-SF	1 1/4	7.018	6.909	7.50	AF-1	3	1 3/8	2	1 7/8	2	—	5 1/4	5.06	4 1/16	25.0
44	P4414M115-E	E	7.720	7.610	8.22	AF-1	3 1/2	1 5/8	2 3/8	1 1/16	1 1/16	—	5 1/4	6.12	4 1/16	30.0
48	P4814M115-E	E	8.421	8.311	8.94	AF-1	3 1/2	1 5/8	2 3/8	1 1/16	1 1/16	—	5 1/4	6.50	4 1/16	35.0
52	P5214M115-F	F	9.123	9.013	9.69	AF-1	4	1 3/4	3 1/4	1 1/4	1 1/4	—	5 1/4	7.18	4 1/16	42.0
56	P5614M115-F	F	9.825	9.715	10.38	AF-1	4	1 3/4	3 1/4	1 1/4	1 1/4	—	5 1/4	7.88	4 1/16	53.0
60	P6014M115-F	F	10.527	10.417	11.06	AF-1	4 1/2	1 3/4	3 3/8	1 1/4	1 1/4	—	5 1/4	8.50	4 1/16	60.0
64	P6414M115-J	J	11.229	11.119	11.75	DF-1	4 1/2	1 3/4	4 1/2	1 1/16	1	—	5 1/4	9.25	4 1/16	76.0
68	P6814M115-J	J	11.930	11.820	12.50	DF-1	4 1/2	1 3/4	4 1/2	1 1/16	1	—	5 1/4	10.00	4 1/16	83.0
72	P7214M115-J	J	12.632	12.522	13.19	DF-1	4 1/2	1 3/4	4 1/2	1 1/16	1	—	5 1/4	10.69	4 1/16	99.0
80	P8014M115-J	J	14.036	13.926	14.63	DF-2	4 1/2	1 3/4	4 1/2	1 1/16	1	—	5 1/4	12.13	4 1/16	87.0
90	P9014M115-J	J	15.790	15.680	—	D-2	4 1/2	1 3/4	4 1/2	1 1/16	1	—	5 1/4	14.00	—	95.0
112	P11214M115-J	J	19.650	19.540	—	D-3	4 1/2	1 3/4	4 1/2	1 1/16	1	—	5 1/4	17.88	—	114.0
144	P14414M115-J	J	25.264	25.154	—	D-3	4 1/2	1 3/4	4 1/2	1 1/16	1	—	5 1/4	23.38	—	166.0
168	P16814M115-M	M	29.475	29.365	—	D-3	5 1/2	1 3/4	4 1/2	1 1/16	1	—	5 1/4	27.56	—	198.0
192	P19214M115-M	M	33.686	33.576	—	D-3	5 1/2	1 3/4	4 1/2	1 1/16	1	—	5 1/4	31.81	—	232.0
216	P21614M115-M	M	37.896	37.786	—	D-3	5 1/2	1 3/4	4 1/2	1 1/16	1	—	5 1/4	35.75	—	307.0
Taper Bushed 115mm (4.53 in.) Wide Belts (14M-115)																
30	P3014M115-2517	2517	5.263	5.153	6.13	WF-1	2 11/16	1 3/4	1 1/4	1 1/4	—	—	5 1/4	3.928	4 1/16	13.5
32	P3214M115-2517	2517	5.614	5.504	6.13	WF-1	2 11/16	1 3/4	1 1/4	1 1/4	—	—	5 1/4	3.928	4 1/16	17.3
34	P3414M115-2517	2517	5.965	5.855	6.50	WF-1	2 11/16	1 3/4	1 1/4	1 1/4	—	—	5 1/4	4.063	4 1/16	20.9
36	P3614M115-3020	3020	6.316	6.206	6.81	WF-1	3 1/4	1 1/2	2	1 1/2	—	—	5 1/4	4.688	4 1/16	18.6
38	P3814M115-3020	3020	6.667	6.557	7.16	WF-1	3 1/4	1 1/2	2	1 1/2	—	—	5 1/4	4.813	4 1/16	22.5
40	P4014M115-3020	3020	7.018	6.908	7.50	WF-1	3 3/4	1 1/2	2	1 1/2	—	—	5 1/4	5.063	4 1/16	26.8
44	P4414M115-3535	3535	7.720	7.610	8.22	WF-1	3 5/8	1 3/4	3 1/2	1 1/2	—	—	5 1/4	6.125	4 1/16	30.8
48	P4814M115-3535	3535	8.421	8.311	8.94	WF-1	3 5/8	1 3/4	3 1/2	1 1/2	—	—	5 1/4	6.500	4 1/16	41.1
52	P5214M115-4040	4040	9.123	9.013	9.69	WF-1	4 1/16	1 3/4	4 1/2	1 1/2	—	—	5 1/4	7.188	4 1/16	46.9
56	P5614M115-4040	4040	9.825	9.715	10.38	WF-1	4 1/16	1 3/4	4 1/2	1 1/2	—	—	5 1/4	7.875	4 1/16	58.3
60	P6014M115-4040	4040	10.527	10.417	11.06	WF-1	4 1/16	1 3/4	4 1/2	1 1/2	—	—	5 1/4	8.500	4 1/16	70.9
64	P6414M115-4545	4545	11.229	11.119	11.75	WF-1	4 15/16	1 3/4	4 1/2	1 1/2	—	—	5 1/4	9.250	4 1/16	82.1
68	P6814M115-4545	4545	11.930	11.820	12.50	WF-1	4 15/16	1 3/4	4 1/2	1 1/2	—	—	5 1/4	10.000	4 1/16	97.1
72	P7214M115-4545	4545	12.632	12.522	13.19	WF-1	4 15/16	1 3/4	4 1/2	1 1/2	—	—	5 1/4	10.688	4 1/16	113.3
80	P8014M115-4545	4545	14.036	13.926	14.63	WF-2	4 15/16	1 3/4	4 1/2	1 1/2	9 1/2	—	5 1/4	12.125	4 1/16	108.9
90	P9014M115-4545	4545	15.790	15.680	—	W-2	4 15/16	1 3/4	4 1/2	1 1/2	9 1/2	—	5 1/4	13.563	—	112.9
112	P11214M115-4545	4545	19.650	19.540	—	W-3	4 15/16	1 3/4	4 1/2	1 1/2	9 1/2	—	5 1/4	17.375	—	122.4
144	P14414M115-4545	4545	25.264	25.154	—	W-3	4 15/16	1 3/4	4 1/2	1 1/2	9 1/2	—	5 1/4	23.000	—	155.0
168	P16814M115-4545	4545	29.475	29.365	—	W-3	4 15/16	1 3/4	4 1/2	1 1/2	9 1/2	—	5 1/4	27.250	—	188.0
192	P19214M115-4545	4545	33.686	33.576	—	W-3	4 15/16	1 3/4	4 1/2	1 1/2	9 1/2	—	5 1/4	31.375	—	318.8
216	P21614M115-6050	6050	37.896	37.786	—	W-3	6	1 3/4	5	1 1/2	15 1/2	—	5 1/4	35.625	—	350.3

* Weight Shown is for Sprocket Less Bushing.
• Reverse Mount Only

+ The numbers (1=Solid, 2=Web, 3=Arms) within the "Type" indicates construction, and the letter F indicates the sprocket has flanges.

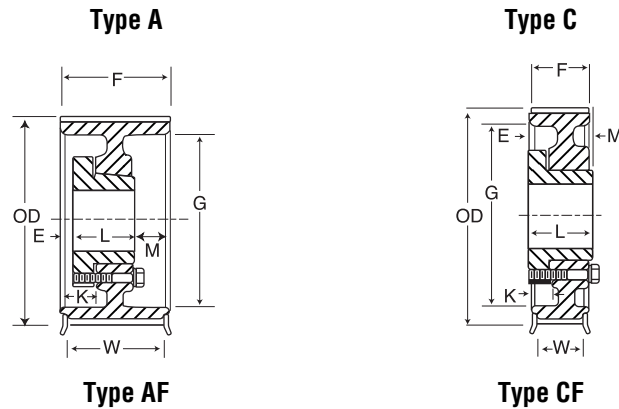


MPB 170mm (6.69 in.) Wide Belts (14M-170)																
No. of Teeth	Catalog Number	Bore	Pitch Diameter	Diameter (in.)			Type +	Max. Bore	Dimensions (in.)							Weight* Approx. (lbs)
				O.D.	Flange	E			L	M	K	H	F	G	W	
36	P3614M170-MPB	1½	6.316	6.208	6.81	DF-1	3	1¼	6	2½	—	4¼	7¼	4.69	7⅛	47.0
38	P3814M170-MPB	1½	6.667	6.559	7.16	DF-1	3¼	1¼	6	2½	—	5¼	7¼	4.94	7⅛	55.7
40	P4014M170-MPB	1½	7.018	6.909	7.50	DF-1	3⅞	1¼	6	2½	—	5⅝	7¼	5.06	7⅛	63.7
44	P4414M170-MPB	1½	7.720	7.610	8.22	DF-1	4¾	1¼	6	2½	—	6¼	7¼	6.13	7⅛	75.7
48	P4814M170-MPB	1½	8.421	8.311	8.94	DF-1	4½	1¼	6	2½	—	6⅝	7¼	6.50	7⅛	94.0
QD 170mm (6.69 in.) Wide Belts (14M-170)																
44	P4414M170-E	E	7.720	7.610	8.22	AF-1	3%	2	2%	2%	2%	—	7%	6.12	7⅛	38.0
48	P4814M170-E	E	8.421	8.311	8.94	AF-1	3%	2	2%	2%	2%	—	7%	6.50	7⅛	45.0
52	P5214M170-F	F	9.123	9.013	9.69	AF-1	4	1⅞	3%	2½	2⅞	—	7%	7.18	7⅛	52.0
56	P5614M170-F	F	9.825	9.715	10.38	AF-1	4	1⅞	3%	2½	2⅞	—	7%	7.88	7⅛	65.0
60	P6014M170-J	J	10.527	10.417	11.06	AF-1	4½	1⅞	4½	1⅞	2½	—	7%	8.50	7⅛	75.0
64	P6414M170-J	J	11.229	11.119	11.75	AF-1	4½	1⅞	4½	1⅞	2½	—	7%	9.25	7⅛	91.0
68	P6814M170-J	J	11.930	11.820	12.50	AF-1	4½	1⅞	4½	1⅞	2½	—	7%	10.00	7⅛	96.0
72	P7214M170-J	J	12.632	12.522	13.19	AF-1	4½	1⅞	4½	1⅞	2½	—	7%	10.69	7⅛	115.0
80	P8014M170-J	J	14.036	13.926	14.63	AF-2	4½	1⅞	4½	1⅞	2½	—	7%	12.13	7⅛	107.0
90	P9014M170-J	J	15.790	15.680	—	A-2	4½	1⅞	4½	1⅞	2½	—	7%	14.00	—	116.0
112	P11214M170-M	M	19.650	19.540	—	A-3	5½	—	6%	¾	1⅞	—	7%	17.88	—	175.0
144	P14414M170-M	M	25.264	25.154	—	A-3	5½	—	6%	¾	1⅞	—	7%	23.38	—	240.0
168	P16814M170-M	M	29.475	29.365	—	A-3	5½	—	6%	¾	1⅞	—	7%	27.56	—	278.0
192	P19214M170-M	M	33.686	33.576	—	A-3	5½	—	6%	¾	1⅞	—	7%	31.81	—	322.0
216	P21614M170-M	M	37.896	37.786	—	A-3	5½	—	6%	¾	1⅞	—	7%	35.75	—	399.0
Taper Bushed 170mm (6.69 in.) Wide Belts (14M-170)																
44	P4414M170-3535	3535	7.720	7.610	8.22	WF-1	3⅞	1⅞	3½	1⅞	—	—	7%	6.13	7⅛	39.7
48	P4814M170-3535	3535	8.421	8.311	8.94	WF-1	3⅞	1⅞	3½	1⅞	—	—	7%	6.50	7⅛	52.8
52	P5214M170-4040	4040	9.123	9.013	9.69	WF-1	4⅞	1⅞	4	1⅞	—	—	7%	7.19	7⅛	59.8
56	P5614M170-4040	4040	9.825	9.715	10.38	WF-1	4⅞	1⅞	4	1⅞	—	—	7%	7.88	7⅛	72.4
60	P6014M170-4545	4545	10.527	10.417	11.06	WF-1	4⅞	1⅞	4½	1⅞	—	—	7%	8.50	7⅛	83.7
64	P6414M170-4545	4545	11.229	11.119	11.75	WF-1	4⅞	1⅞	4½	1⅞	—	—	7%	9.25	7⅛	98.6
68	P6814M170-4545	4545	11.930	11.820	12.50	WF-1	4⅞	1⅞	4½	1⅞	—	—	7%	10.00	7⅛	114.4
72	P7214M170-4545	4545	12.632	12.522	13.19	WF-1	4⅞	1⅞	4½	1⅞	—	—	7%	10.69	7⅛	131.8
80	P8014M170-4545	4545	14.036	13.926	14.63	WF-2	4⅞	1⅞	4½	1⅞	—	9½	7%	12.13	7⅛	129.3
90	P9014M170-4545	4545	15.790	15.680	—	W-2	4⅞	1⅞	4½	1⅞	—	9½	7%	13.56	—	126.8
112	P11214M170-4545	4545	19.650	19.540	—	W-3	4⅞	1⅞	4½	1⅞	—	9½	7%	17.38	—	148.0
144	P14414M170-6050	6050	25.264	25.154	—	W-3	6	1⅞	5	1⅞	—	15½	7%	23.00	—	208.0
168	P16814M170-6050	6050	29.475	29.365	—	W-3	6	1⅞	5	1⅞	—	15½	7%	27.25	—	227.0
192	P19214M170-6050	6050	33.686	33.576	—	W-3	6	1⅞	5	1⅞	—	15½	7%	31.38	—	340.0
216	P21614M170-6050	6050	37.896	37.786	—	W-3	6	1⅞	5	1⅞	—	15½	7%	35.63	—	390.0

* Weight Shown is for Sprocket Less Bushing.
• Reverse Mount Only

+ The numbers (1=Solid, 2=Web, 3=Arms), within the "Type" indicates construction and the letter F indicates the sprocket has flanges.

High Torque Sprockets 20mm

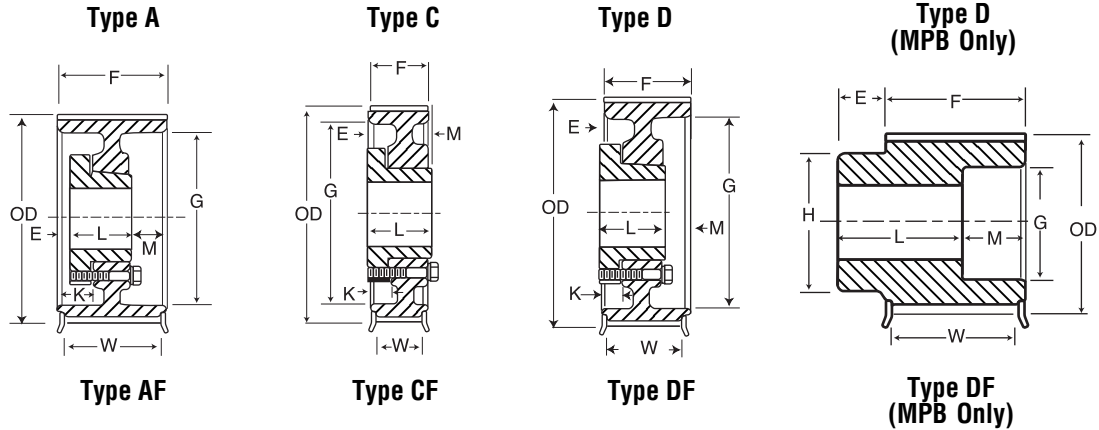


QD 115mm (4.53 in.) Wide Belts (20M-115)																
No. of Teeth	Catalog Number	Bore	Pitch Diameter	Diameter (in.)		Type +	Max. Bore	Dimensions (in.)							Weight* Approx. (lbs)	
				O.D.	Flange			E	L	M	K	H	F	G		W
34	P3420M115-F	F	8.522	8.352	9.449	AF-1	4.00	0.44	3.63	1.31	1.44	—	5.38	6.88	5.0	32.0
36	P3620M115-F	F	9.023	8.853	9.843	AF-1	4.00	0.44	3.63	1.31	1.44	—	5.38	7.00	5.0	40.0
38	P3820M115-F	F	9.524	9.354	10.433	AF-1	4.00	0.44	3.63	1.31	1.44	—	5.38	7.56	5.0	45.0
40	P4020M115-F	F	10.026	9.856	10.827	AF-1	4.00	0.44	3.63	1.31	1.44	—	5.38	8.00	5.0	51.0
44	P4420M115-F	F	11.028	10.858	11.811	AF-1	4.00	0.44	3.63	1.31	1.44	—	5.38	8.93	5.0	63.0
48	P4820M115-J	J	12.031	11.861	12.795	AF-1	4.50	0.00	4.50	0.88	1.18	—	5.38	9.93	5.0	84.0
52	P5220M115-J	J	13.033	12.863	13.764	AF-2	4.50	0.00	4.50	0.88	1.18	—	5.38	10.88	5.0	80.0
56	P5620M115-J	J	14.036	13.866	14.764	AF-2	4.50	0.00	4.50	0.88	1.18	—	5.38	11.88	5.0	87.0
60	P6020M115-J	J	15.038	14.868	15.927	AF-2	4.50	0.00	4.50	0.88	1.18	—	5.38	13.06	5.0	94.0
64	P6420M115-J	J	16.041	15.871	16.929	AF-2	4.50	0.00	4.50	0.88	1.18	—	5.38	14.06	5.0	104.0
68	P6820M115-J	J	17.044	16.874	17.927	AF-2	4.50	0.00	4.50	0.88	1.18	—	5.38	15.00	5.0	110.0
72	P7220M115-J	J	18.046	17.876	18.898	AF-2	4.50	0.00	4.50	0.88	1.18	—	5.38	16.00	5.0	119.0
80	P8020M115-M	M	20.051	19.881	20.866	CF-2	5.50	1.25	6.75	0.12	0.18	—	5.38	18.00	5.0	182.0
90	P9020M115-M	M	22.558	22.388	23.425	CF-2	5.50	1.25	6.75	0.12	0.18	—	5.38	20.56	5.0	212.0
112	P11220M115-M	M	28.072	27.902	—	C-3	5.50	1.25	6.75	0.12	0.18	—	5.38	26.38	—	239.0
144	P14420M115-N	N	36.092	35.922	—	C-3	5.87	1.75	8.12	1.00	0.00	—	5.38	34.38	—	341.0
168	P16820M115-N	N	42.108	41.938	—	C-3	5.87	1.75	8.12	1.00	0.00	—	5.38	40.38	—	417.0
192	P19220M115-N	N	48.123	47.953	—	C-3	5.87	1.75	8.12	1.00	0.00	—	5.38	46.25	—	500.0
216	P21620M115-N	N	54.138	53.968	—	C-3	5.77	1.75	8.12	1.00	0.00	—	5.38	52.25	—	566.0

* Weight Shown is for Sprocket less Bushing.

• Reverse Mount Only

+ The numbers (1=Solid, 2=Web, 3=Arms), within the "Type" indicates construction and the letter F indicates the sprocket has flanges.

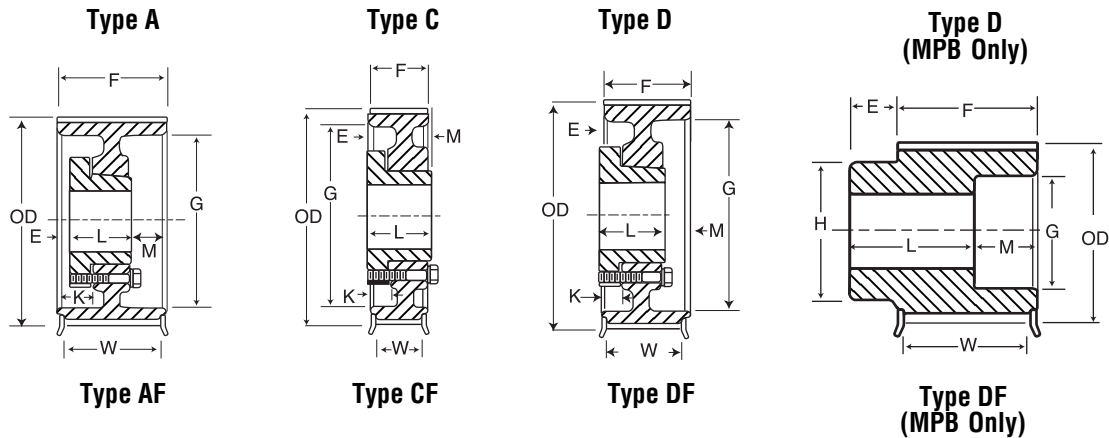


QD 170mm (6.69 in.) Wide Belts (20M-170)																
No. of Teeth	Catalog Number	Bore	Pitch Diameter	Diameter (in.)		Type +	Max. Bore	Dimensions (in.)							Weight* Approx. (lbs)	
				O.D.	Flange			E	L	M	K	H	F	G		W
34	P3420M170-MPB	2%	8.522	8.352	9.449	DF-1	4.38	1.25	6.50	2.25	—	6.50	7.50	6.50	7.12	82.0
36	P3620M170-MPB	2%	9.023	8.853	9.843	DF-1	4.50	1.25	6.50	2.25	—	7.00	7.50	7.00	7.12	93.0
MPB 170mm (6.69 in.) Wide Belts (20M-170)																
38	P3820M170-J	J	9.524	9.354	10.433	AF-1	4.50	1.00	4.50	2.00	2.18	—	7.50	7.56	7.12	56.0
40	P4020M170-J	J	10.026	9.856	10.827	AF-1	4.50	1.00	4.50	2.00	2.18	—	7.50	8.00	7.12	64.0
44	P4420M170-J	J	11.028	10.858	11.811	AF-1	4.50	1.00	4.50	2.00	2.18	—	7.50	8.93	7.12	81.0
48	P4820M170-M	M	12.031	11.861	12.795	AF-1	5.50	0.06	6.75	0.68	1.50	—	7.50	9.93	7.12	113.0
52	P5220M170-M	M	13.033	12.863	13.764	AF-1	5.50	0.06	6.75	0.68	1.50	—	7.50	10.88	7.12	141.0
56	P5620M170-M	M	14.036	13.866	14.764	AF-1	5.50	0.06	6.75	0.68	1.50	—	7.50	11.88	7.12	170.0
60	P6020M170-M	M	15.038	14.868	15.927	AF-1	5.50	0.06	6.75	0.68	1.50	—	7.50	13.06	7.12	199.0
64	P6420M170-M	M	16.041	15.871	16.929	AF-2	5.50	0.06	6.75	0.68	1.50	—	7.50	14.06	7.12	175.0
68	P6820M170-M	M	17.044	16.874	17.927	AF-2	5.50	0.06	6.75	0.68	1.50	—	7.50	15.00	7.12	187.0
72	P7220M170-M	M	18.046	17.876	18.898	AF-2	5.50	0.06	6.75	0.68	1.50	—	7.50	16.00	7.12	196.0
80	P8020M170-M	M	20.051	19.881	20.866	AF-2	5.50	0.06	6.75	0.68	1.50	—	7.50	18.00	7.12	214.0
90	P9020M170-M	M	22.558	22.388	23.425	AF-2	5.50	0.06	6.75	0.68	1.50	—	7.50	20.56	7.12	250.0
112	P11220M170-N	N	28.072	27.902	—	C-3	5.87	0.50	8.12	0.12	1.25	—	7.50	26.25	7.12	309.0
144	P14420M170-N	N	36.092	35.922	—	C-3	5.87	0.50	8.12	0.12	1.25	—	7.50	34.25	—	426.0
168	P16820M170-P	P	42.108	41.938	—	C-3	7.00	0.90	9.38	0.94	1.06	—	7.50	40.25	—	571.0
192	P19220M170-P	P	48.123	47.953	—	C-3	7.00	0.94	9.38	0.94	1.06	—	7.50	46.25	—	652.0
216	P21620M170-P	P	54.138	53.968	—	C-3	7.00	0.94	9.38	0.94	1.06	—	7.50	52.12	—	813.0

* Weight Shown is for Sprocket less Bushing.
 • Reverse Mount Only

+ The numbers (1=Solid, 2=Web, 3=Arms), within the "Type" indicates construction and the letter F indicates the sprocket has flanges.

High Torque Sprockets 20mm



MPB 230mm (9.06 in.) Wide Belts (20M-230)

No. of Teeth	Catalog Number	Bore	Pitch Diameter	Diameter (in.)		Type +	Max. Bore	Dimensions (in.)							Weight* Approx. (lbs)	
				O.D.	Flange			E	L	M	K	H	F	G		W
38	P3820M230-MPB	2%	9.524	9.354	10.433	DF-1	4.75	1.25	7.50	3.63	—	7.50	9.88	7.56	9.50	120.0
40	P4020M230-MPB	2%	10.026	9.856	10.827	DF-1	5.25	1.25	8.50	2.63	—	8.00	9.88	8.00	9.50	147.0
44	P4420M230-MPB	2%	11.028	10.858	11.811	DF-1	5.25	1.25	8.50	2.63	—	8.25	9.88	8.93	9.50	180.0

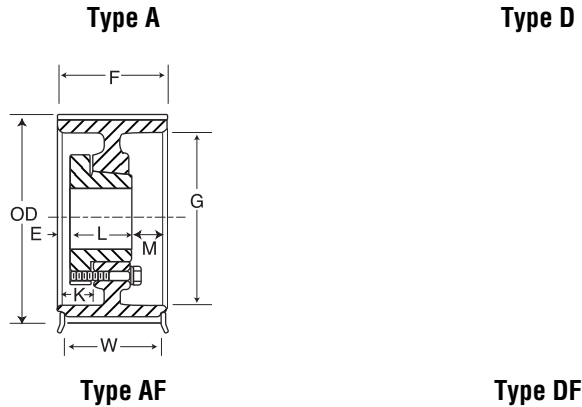
QD 230mm (9.06 in.) Wide Belts (20M-230)

48	P4820M230-M	M	12.031	11.861	12.795	AF-1	5.50	0.56	6.75	2.56	2.00	—	9.88	9.93	9.50	129.0
52	P5220M230-M	M	13.033	12.863	13.764	AF-1	5.50	0.56	6.75	2.56	2.00	—	9.88	10.88	9.50	158.0
56	P5620M230-M	M	14.036	13.866	14.764	AF-1	5.50	0.56	6.75	2.56	2.00	—	9.88	11.88	9.50	189.0
60	P6020M230-M	M	15.038	14.868	15.927	AF-1	5.50	0.56	6.75	2.56	2.00	—	9.88	13.06	9.50	217.0
64	P6420M230-M	M	16.041	15.871	16.929	AF-2	5.50	0.56	6.75	2.56	2.00	—	9.88	14.06	9.50	198.0
68	P6820M230-N	N	17.044	16.874	17.927	AF-1	5.87	0.06	8.12	1.69	1.81	—	9.88	15.00	9.50	324.0
72	P7220M230-N	N	18.046	17.876	18.898	AF-2	5.87	0.06	8.12	1.69	1.81	—	9.88	16.00	9.50	287.0
80	P8020M230-N	N	20.051	19.881	20.866	AF-2	5.87	0.06	8.12	1.69	1.81	—	9.88	18.00	9.50	280.0
90	P9020M230-N	N	22.558	22.388	23.425	AF-2	5.87	0.06	8.12	1.69	1.81	—	9.88	20.56	9.50	319.0
112	P11220M230-N	N	28.072	27.902	—	A-3	5.87	0.06	8.12	1.69	1.81	—	9.88	26.25	—	357.0
144	P14420M230-P	P	36.092	35.922	—	D-3	7.00	0.69	9.38	1.19	1.31	—	9.88	34.25	—	535.0
168	P16820M230-P	P	42.108	41.938	—	D-3	7.00	0.69	9.38	1.19	1.31	—	9.88	40.25	—	654.0
192	P19220M230-W	W	48.123	47.953	—	C-3	8.50	0.75	11.38	0.75	1.50	—	9.88	46.00	—	935.0
216	P21620M230-W	W	54.138	53.968	—	C-3	8.50	0.75	11.38	0.75	1.50	—	9.88	52.00	—	1062.0

* Weight Shown is for Sprocket less Bushing.

• Reverse Mount Only

+ The numbers (1=Solid, 2=Web, 3=Arms), within the "Type" indicates construction and the letter F indicates the sprocket has flanges.



QD 290mm (11.42 in.) Wide Belts (20M-290)																
No. of Teeth	Catalog Number	Bore	Pitch Diameter	Diameter (in.)		Type +	Max. Bore	Dimensions (in.)								Weight Approx. (lbs)
				O.D.	Flange			E	L	M	H	K	F	G	W	
52	P5220M290-N	N	13.033	12.863	13.764	AF-1	5.87	0.75	8.12	2.38	2.50	—	12.25	10.88	11.88	187.0
56	P5620M290-N	N	14.036	13.866	14.764	AF-1	5.87	0.75	8.12	2.38	2.50	—	12.25	11.88	11.88	223.0
60	P6020M290-N	N	15.038	14.868	15.927	AF-1	5.87	0.75	8.12	2.38	2.50	—	12.25	13.06	11.88	257.0
64	P6420M290-N	N	16.041	15.871	16.929	AF-1	5.87	0.75	8.12	2.38	2.50	—	12.25	14.06	11.88	299.0
68	P6820M290-N	N	17.044	16.874	17.927	AF-1	5.87	0.75	8.12	2.38	2.50	—	12.25	15.00	11.88	346.0
72	P7220M290-N	N	18.046	17.876	18.898	AF-2	5.87	0.75	8.12	2.38	2.50	—	12.25	16.00	11.88	311.0
80	P8020M290-N	N	20.051	19.881	20.866	AF-2	5.87	0.75	8.12	2.38	2.50	—	12.25	18.00	11.88	314.0
90	P9020M290-N	N	22.558	22.388	23.425	AF-2	5.87	0.75	8.12	2.38	2.50	—	12.25	20.56	11.88	359.0
112	P11220M290-P	P	28.072	27.902	—	A-2	7.00	0.50	9.38	2.38	2.50	—	12.25	26.12	—	513.0
144	P14420M290-P	P	36.092	35.922	—	A-3	7.00	0.50	9.38	2.38	2.50	—	12.25	34.00	—	637.0
168	P16820M290-W	W	42.108	41.938	—	A-3	8.50	0.44	11.38	0.44	2.68	—	12.25	40.00	—	891.0
192	P19220M290-W	W	48.123	47.953	—	A-3	8.50	0.44	11.38	0.44	2.68	—	12.25	46.00	—	1061.0
216	P21620M290-W	W	54.138	53.968	—	A-3	8.50	0.44	11.38	0.44	2.68	—	12.25	52.00	—	1239.0
QD 340 mm (13.39 in.) Wide Belts (20M-340)																
52	P5220M340-N	N	13.033	12.863	13.764	AF-1	5.87	0.75	8.12	5.38	2.50	—	14.25	10.88	13.88	201.0
56	P5620M340-N	N	14.036	13.866	14.764	AF-1	5.87	0.75	8.12	5.38	2.50	—	14.25	11.88	13.88	239.0
60	P6020M340-N	N	15.038	14.868	15.927	AF-1	5.87	0.75	8.12	5.38	2.50	—	14.25	13.06	13.88	273.0
64	P6420M340-N	N	16.041	15.871	16.929	AF-1	5.87	0.75	8.12	5.38	2.50	—	14.25	14.06	13.88	316.0
68	P6820M340-N	N	17.044	16.874	17.927	AF-1	5.87	0.75	8.12	5.38	2.50	—	14.25	15.00	13.88	364.0
72	P7220M340-N	N	18.046	17.876	18.898	AF-2	5.87	0.75	8.12	5.38	2.50	—	14.25	16.00	13.88	330.0
80	P8020M340-P	P	20.051	19.881	20.866	AF-2	7.00	1.50	9.38	3.38	3.50	—	14.25	18.00	13.88	406.0
90	P9020M340-P	P	22.558	22.388	23.425	AF-2	7.00	1.50	9.38	3.38	3.50	—	14.25	20.56	13.88	426.0
112	P11220M340-P	P	28.072	27.902	—	A-2	7.00	1.50	9.38	3.38	3.50	—	14.25	26.12	—	543.0
144	P14420M340-W	W	36.092	35.922	—	A-3	8.50	0.38	11.38	2.50	2.63	—	14.25	34.00	—	814.0
168	P16820M340-W	W	42.108	41.938	—	A-3	8.50	0.38	11.38	2.50	2.63	—	14.25	40.00	—	947.0
192	P19220M340-S	S	48.123	47.953	—	D-3	10.00	2.50	15.75	1.00	1.12	—	14.25	46.00	—	1368.0
216	P21620M340-S	S	54.138	53.968	—	D-3	10.00	2.50	15.75	1.00	1.12	—	14.25	51.88	—	1555.0

* Weight Shown is for Sprocket less Bushing.
 • Reverse Mount Only

+ The numbers (1=Solid, 2=Web, 3=Arms), within the "Type" indicates construction and the letter F indicates the sprocket has flanges.

HTS® 5mm Sprocket Diameters

No. of Teeth	Diameters mm In.		No. of Teeth	Diameters mm In.		No. of Teeth	Diameters mm In.		No. of Teeth	Diameters mm In.		No. of Teeth	Diameters mm In.	
	PD	OD		PD	OD		PD	OD		PD	OD		PD	OD
13	20.69 0.815	19.55 0.770	43	68.44 2.694	67.30 2.649	73	116.18 4.574	115.04 4.529	103	163.93 6.454	162.79 6.409	133	211.68 8.334	210.54 8.289
14	22.28 0.877	21.14 0.832	44	70.03 2.757	68.89 2.712	74	117.77 4.637	116.63 4.592	104	165.52 6.517	164.38 6.472	134	213.27 8.396	212.13 8.351
15	23.87 0.940	22.73 0.895	45	71.62 2.820	70.48 2.775	75	119.37 4.699	118.23 4.654	105	167.11 6.579	165.97 6.534	135	214.86 8.459	213.72 8.414
16	25.46 1.003	24.32 0.958	46	73.21 2.882	72.07 2.837	76	120.96 4.762	119.82 4.717	106	168.70 6.642	167.56 6.597	136	216.45 8.522	215.31 8.477
17	27.06 1.065	25.92 1.020	47	74.80 2.945	73.66 2.900	77	122.55 4.825	121.41 4.780	107	170.3 6.705	169.16 6.660	137	218.04 8.584	216.90 8.539
18	28.65 1.128	27.51 1.083	48	76.39 3.008	75.25 2.963	78	124.14 4.887	123.00 4.842	108	171.89 6.767	170.75 6.722	138	219.63 8.647	218.49 8.602
19	30.24 1.191	29.10 1.146	49	77.99 3.070	76.85 3.025	79	125.73 4.950	124.59 4.905	109	173.48 6.830	172.34 6.785	139	221.23 8.710	220.09 8.665
20	31.83 1.253	30.69 1.208	50	79.58 3.133	78.94 3.088	80	127.32 5.013	126.18 4.968	110	175.07 6.893	173.93 6.848	140	222.82 8.772	221.68 8.727
21	33.42 1.316	32.28 1.271	51	81.17 3.196	80.03 3.151	81	128.92 5.075	127.78 5.030	111	176.66 6.955	175.52 6.910	141	224.41 8.835	223.27 8.790
22	35.01 1.379	33.87 1.334	52	82.76 3.258	81.62 3.213	82	130.51 5.138	129.37 5.093	112	178.25 7.018	177.11 6.973	142	226.00 8.898	224.86 8.853
23	36.61 1.441	35.47 1.396	53	84.35 3.321	83.21 3.276	83	132.10 5.201	130.96 5.156	113	179.85 7.081	178.71 7.036	143	227.59 8.960	226.45 8.915
24	38.20 1.504	37.06 1.459	54	85.94 3.384	84.80 3.339	84	133.69 5.263	132.55 5.218	114	181.44 7.143	180.30 7.098	144	229.18 9.023	228.04 8.978
25	39.79 1.566	38.65 1.521	55	87.54 3.446	86.40 3.401	85	135.28 5.326	134.14 5.281	115	183.03 7.206	181.89 7.161	145	230.77 9.086	229.63 9.041
26	41.38 1.629	40.24 1.584	56	89.13 3.509	87.99 3.464	86	136.87 5.389	135.73 5.344	116	184.62 7.268	183.48 7.223	146	232.37 9.148	231.23 9.103
27	42.97 1.692	41.83 1.647	57	90.72 3.572	89.58 3.527	87	138.46 5.451	137.32 5.406	117	186.21 7.331	185.07 7.286	147	233.96 9.211	232.82 9.166
28	44.56 1.754	43.42 1.709	58	92.31 3.634	91.17 3.589	88	140.06 5.514	138.92 5.469	118	187.80 7.394	186.66 7.349	148	235.55 9.274	234.41 9.229
29	46.15 1.817	45.01 1.772	59	93.90 3.697	92.76 3.652	89	141.65 5.577	140.51 5.532	119	189.39 7.456	188.25 7.411	149	237.14 9.336	236.00 9.291
30	47.75 1.880	46.61 1.835	60	95.49 3.760	94.35 3.715	90	143.24 5.639	142.10 5.594	120	190.99 7.519	189.85 7.474	150	238.73 9.399	237.59 9.354
31	49.34 1.942	48.20 1.897	61	97.08 3.822	95.94 3.777	91	144.83 5.702	143.69 5.657	121	192.58 7.582	191.44 7.537	151	240.32 9.462	239.18 9.417
32	50.93 2.005	49.79 1.960	62	98.68 3.885	97.54 3.840	92	146.42 5.765	145.28 5.720	122	194.17 7.644	193.03 7.599	152	241.92 9.524	240.78 9.479
33	52.52 2.068	51.38 2.023	63	100.27 3.948	99.13 3.903	93	148.01 5.827	146.87 5.782	123	195.76 7.707	194.62 7.662	153	243.51 9.587	242.37 9.542
34	54.11 2.130	52.97 2.085	64	101.86 4.010	100.72 3.965	94	149.61 5.890	148.47 5.845	124	197.35 7.770	196.21 7.725	154	245.10 9.650	243.96 9.605
35	55.70 2.193	54.56 2.148	65	103.45 4.073	102.31 4.028	95	151.20 5.953	150.06 5.908	125	198.94 7.832	197.80 7.787	155	246.69 9.712	245.55 9.667
36	57.30 2.256	56.16 2.211	66	105.04 4.136	103.90 4.091	96	152.79 6.015	151.65 5.970	126	200.54 7.895	199.40 7.850	156	248.28 9.775	247.14 9.730
37	58.89 2.318	57.75 2.273	67	106.63 4.198	105.49 4.153	97	154.38 6.078	153.24 6.033	127	202.13 7.958	200.99 7.913	157	249.87 9.838	248.73 9.793
38	60.48 2.381	59.34 2.336	68	108.23 4.261	107.09 4.216	98	155.97 6.141	154.83 6.096	128	203.72 8.020	202.58 7.975	158	251.46 9.900	250.32 9.855
39	62.07 2.444	60.93 2.399	69	109.82 4.324	108.68 4.279	99	157.56 6.203	156.42 6.158	129	205.31 8.083	204.17 8.038	159	253.06 9.963	251.92 9.918
40	63.66 2.506	62.52 2.461	70	111.41 4.386	110.27 4.341	100	159.15 6.266	158.01 6.221	130	206.90 8.146	205.76 8.101	160	254.65 10.026	253.51 9.981
41	62.25 2.569	64.11 2.524	71	113.00 4.449	111.86 4.404	101	160.75 6.329	159.61 6.284	131	208.49 8.208	207.35 8.163			
42	66.85 2.632	65.71 2.587	72	114.59 4.511	113.45 4.466	102	162.34 6.391	161.20 6.346	132	210.08 8.271	208.94 8.226			



HTS[®] 8mm Sprocket Diameters

No. of Teeth	Diameters mm In.		No. of Teeth	Diameters mm In.		No. of Teeth	Diameters mm In.		No. of Teeth	Diameters mm In.		No. of Teeth	Diameters mm In.	
	PD	OD		PD	OD		PD	OD		PD	OD		PD	OD
22	56.02 2.206	54.66 2.152	57	145.15 5.715	143.78 5.660	92	234.28 9.223	232.90 9.169	127	323.41 12.733	322.03 12.678	162	412.53 16.241	411.16 16.187
23	58.57 2.306	57.20 2.252	58	147.70 5.815	146.32 5.761	93	236.82 9.324	235.45 9.270	128	325.95 12.833	324.58 12.779	163	415.08 16.342	413.70 16.288
24	61.12 2.406	59.74 2.352	59	150.24 5.915	148.87 5.861	94	239.37 9.424	238.00 9.370	129	328.50 12.933	327.12 12.879	164	417.62 16.442	416.25 16.388
25	63.66 2.506	62.28 2.452	60	152.79 6.015	151.42 5.961	95	241.92 9.524	240.54 9.470	130	331.04 13.033	329.67 12.979	165	420.17 16.542	418.8 16.488
26	66.21 2.607	64.85 2.553	61	155.34 6.116	153.96 6.062	96	244.46 9.624	243.09 9.570	131	333.59 13.133	332.22 13.079	166	422.72 16.642	421.34 16.588
27	68.75 2.707	67.39 2.653	62	157.88 6.216	156.51 6.162	97	247.01 9.725	245.64 9.671	132	336.14 13.234	334.76 13.180	167	425.26 16.743	423.89 16.689
28	71.30 2.807	70.08 2.759	63	160.43 6.316	159.06 6.262	98	249.55 9.825	248.18 9.771	133	338.68 13.334	337.31 13.280	168	427.81 16.843	426.44 16.789
29	73.85 2.907	72.62 2.859	64	162.97 6.416	161.60 6.362	99	252.10 9.925	250.73 9.871	134	341.23 13.434	339.86 13.380	169	430.35 16.943	428.98 16.889
30	76.39 3.008	75.13 2.958	65	165.52 6.517	164.15 6.463	100	254.65 10.025	253.28 9.971	135	343.77 13.534	342.40 13.480	170	432.90 17.043	431.53 16.989
31	78.94 3.108	77.65 3.057	66	168.07 6.617	166.70 6.563	101	257.19 10.126	255.82 10.072	136	346.32 13.635	344.95 13.581	171	435.45 17.144	434.08 17.090
32	81.49 3.208	80.16 3.156	67	170.61 6.717	169.24 6.663	102	259.74 10.226	258.37 10.172	137	348.87 13.735	347.50 13.681	172	437.99 17.244	436.62 17.190
33	84.03 3.308	82.68 3.255	68	173.16 6.817	171.79 6.763	103	262.29 10.326	260.92 10.272	138	351.41 13.835	350.04 13.781	173	440.54 17.344	439.17 17.290
34	86.58 3.409	85.22 3.355	69	175.71 6.918	174.34 6.864	104	264.83 10.427	263.46 10.372	139	353.96 13.935	352.59 13.881	174	443.09 17.444	441.72 17.390
35	89.13 3.509	87.76 3.455	70	178.25 7.018	176.88 6.964	105	267.38 10.527	266.01 10.473	140	356.51 14.036	355.14 13.982	175	445.63 17.544	444.26 17.491
36	91.67 3.609	90.30 3.555	71	180.80 7.118	179.43 7.064	106	269.93 10.628	268.56 10.573	141	359.05 14.136	357.68 14.082	176	448.18 17.645	446.81 17.591
37	94.22 3.709	92.85 3.655	72	183.35 7.218	181.97 7.164	107	272.47 10.728	271.10 10.673	142	361.60 14.236	360.23 14.182	177	450.73 17.745	449.36 17.691
38	96.77 3.810	95.39 3.756	73	185.89 7.319	184.52 7.265	108	275.02 10.828	273.65 10.771	143	364.15 14.336	362.77 14.282	178	453.27 17.845	451.90 17.791
39	99.31 3.910	97.94 3.856	74	188.44 7.419	187.07 7.365	109	277.57 10.928	276.19 10.874	144	366.69 14.437	365.32 14.383	179	455.82 17.946	454.45 17.892
40	101.86 4.010	100.49 3.956	75	190.99 7.519	189.61 7.465	110	280.11 11.028	278.74 10.974	145	369.24 14.537	367.87 14.483	180	458.37 18.046	456.99 17.992
41	104.41 4.110	103.03 4.056	76	193.53 7.619	192.16 7.565	111	282.66 11.128	281.29 11.074	146	371.79 14.637	370.41 14.583	181	460.91 18.146	459.54 18.092
42	106.95 4.211	105.58 4.157	77	196.08 7.720	194.71 7.666	112	285.21 11.229	283.83 11.175	147	374.33 14.737	372.96 14.683	182	463.46 18.246	462.09 18.192
43	109.50 4.311	108.13 4.257	78	198.63 7.820	197.25 7.766	113	287.75 11.329	286.38 11.275	148	376.88 14.838	375.51 14.784	183	466.01 18.347	464.63 18.293
44	112.05 4.411	110.67 4.357	79	201.17 7.920	199.81 7.866	114	290.30 11.429	288.93 11.375	149	379.43 14.938	378.05 14.884	184	468.55 18.447	467.18 18.393
45	114.59 4.511	113.22 4.457	80	203.72 8.020	202.35 7.966	115	292.85 11.529	291.47 11.475	150	381.96 15.038	380.60 14.984	185	471.10 18.547	469.73 18.493
46	117.14 4.612	115.77 4.558	81	206.26 8.121	204.89 8.067	116	295.39 11.630	294.02 11.576	151	384.52 15.138	383.15 15.084	186	473.65 18.647	472.27 18.593
47	119.68 4.712	118.31 4.658	82	208.81 8.221	207.44 8.167	117	297.94 11.730	296.57 11.676	152	387.06 15.239	385.70 15.185	187	476.19 18.748	474.82 18.694
48	122.23 4.812	120.86 4.758	83	211.36 8.321	209.99 8.267	118	300.48 11.830	299.11 11.776	153	389.61 15.339	388.24 15.285	188	478.74 18.848	477.37 18.794
49	124.78 4.912	123.41 4.858	84	213.90 8.421	212.53 8.367	119	303.03 11.930	301.66 11.876	154	392.16 15.439	390.79 15.385	189	481.28 18.948	479.91 18.894
50	127.32 5.013	125.95 4.959	85	216.45 8.522	215.08 8.468	120	305.58 12.031	304.21 11.977	155	394.70 15.540	393.33 15.486	190	483.83 19.048	482.46 18.994
51	129.87 5.113	128.50 5.059	86	219.00 8.622	217.63 8.568	121	308.12 12.131	306.75 12.077	156	397.25 15.640	395.88 15.586	191	486.38 19.149	485.01 19.095
52	132.42 5.213	131.05 5.159	87	221.54 8.722	220.17 8.668	122	310.67 12.231	309.30 12.177	157	399.80 15.740	398.43 15.686	192	488.92 19.249	487.55 19.195
53	134.96 5.314	133.59 5.259	88	224.09 8.822	222.72 8.768	123	313.22 12.331	311.85 12.227	158	402.34 15.840	400.97 15.786			
54	137.51 5.414	136.14 5.360	89	226.64 8.923	225.27 8.869	124	315.76 12.432	314.39 12.378	159	404.89 15.941	403.52 15.887			
55	140.06 5.514	138.68 5.460	90	229.18 9.023	227.81 8.969	125	318.31 12.532	316.94 12.478	160	407.44 16.041	406.07 15.987			
56	142.60 5.614	141.23 5.560	91	231.73 9.123	230.36 9.069	126	320.86 12.632	319.48 12.578	161	409.98 16.141	408.61 16.087			

HTS® 14mm Sprocket Diameters



No. of Teeth	Diameters mm In.		No. of Teeth	Diameters mm In.		No. of Teeth	Diameters mm In.		No. of Teeth	Diameters mm In.		No. of Teeth	Diameters mm In.	
	PD	OD		PD	OD		PD	OD		PD	OD		PD	OD
28	124.78 4.912	122.12 4.808	66	294.12 11.579	291.32 11.469	104	463.46 18.246	460.66 18.136	142	632.80 24.913	630.01 24.803	180	802.14 31.580	799.35 31.47
29	129.23 5.088	126.57 4.983	67	298.57 11.755	295.78 11.645	105	467.92 18.422	465.12 18.312	143	637.26 25.089	634.46 24.979	181	806.60 31.756	803.80 31.646
30	133.69 5.263	130.99 5.157	68	303.03 11.930	300.24 11.820	106	472.37 18.597	469.58 18.487	144	641.71 25.264	638.92 25.154	182	811.05 31.931	808.26 31.821
31	138.15 5.439	135.46 5.333	69	307.49 12.106	304.69 11.996	107	476.83 18.773	474.03 18.663	145	646.17 25.440	643.37 25.330	183	815.51 32.107	812.72 31.997
32	142.60 5.614	139.88 5.507	70	311.94 12.281	309.15 12.171	108	481.28 18.948	478.49 18.838	146	650.63 25.615	647.83 25.505	184	819.97 32.252	817.17 32.172
33	147.06 5.790	144.35 5.683	71	316.40 12.457	313.61 12.347	109	485.74 19.124	482.95 19.014	147	655.08 25.791	652.29 25.681	185	824.42 32.458	821.63 32.348
34	151.52 5.965	148.79 5.858	72	320.86 12.632	318.06 12.522	110	490.20 19.299	487.40 19.189	148	659.54 25.966	656.74 25.856	186	828.88 32.633	826.08 32.523
35	155.98 6.141	153.24 6.033	73	325.31 12.808	322.52 12.698	111	494.65 19.475	491.86 19.365	149	663.99 26.141	661.20 26.031	187	833.33 32.808	830.54 32.698
36	160.43 6.316	157.68 6.208	74	329.77 12.983	326.97 12.873	112	499.11 19.650	496.32 19.540	150	668.45 26.317	665.66 26.207	188	837.79 32.954	835.00 32.874
37	164.88 6.491	162.13 6.383	75	334.22 13.158	331.43 13.048	113	503.57 19.825	500.77 19.715	151	672.91 26.492	670.11 26.382	189	842.25 33.159	839.45 33.049
38	169.34 6.667	166.60 6.559	76	338.68 13.334	335.89 13.224	114	508.20 20.001	505.23 19.891	152	677.36 26.668	674.57 26.558	190	846.70 33.335	843.91 33.225
39	173.80 6.842	171.02 6.733	77	343.14 13.509	340.34 13.399	115	512.48 20.176	509.68 20.056	153	681.82 26.843	679.03 26.733	191	851.16 33.510	848.37 33.400
40	178.25 7.018	175.49 6.909	78	347.59 13.685	344.80 13.575	116	516.93 20.352	514.14 20.242	154	690.73 27.194	687.94 27.084	192	855.62 33.686	852.82 33.576
41	182.71 7.193	179.92 7.083	79	352.05 13.860	349.26 13.750	117	521.39 20.527	518.60 20.417	155	690.73 27.194	687.94 27.084	193	860.07 33.861	857.28 33.751
42	187.17 7.369	184.37 7.259	80	356.51 14.036	353.71 13.926	118	525.85 20.703	523.05 20.593	156	695.19 27.370	692.39 27.260	194	864.53 34.037	861.75 33.927
43	191.62 7.544	188.83 7.434	81	360.96 14.211	358.17 14.101	119	530.30 20.878	527.51 20.768	157	699.64 27.545	696.85 27.435	195	868.98 34.212	866.44 34.112
44	196.08 7.720	193.28 7.610	82	365.42 14.387	362.63 14.277	120	534.76 21.054	531.97 20.944	158	704.10 27.720	701.31 27.610	196	873.44 34.387	870.64 34.277
45	200.53 7.895	197.74 7.785	83	369.88 14.562	367.08 14.452	121	539.22 21.229	536.42 21.119	159	708.56 27.896	705.76 27.786	197	877.90 34.553	875.11 34.453
46	204.99 8.071	202.20 7.961	84	374.33 14.737	371.54 14.627	122	543.67 21.404	540.88 21.294	160	713.01 28.071	710.22 27.961	198	882.35 34.738	879.55 34.628
47	209.45 8.246	206.65 8.136	85	378.79 14.913	375.99 14.803	123	548.13 21.580	545.34 21.470	161	717.47 28.247	714.68 28.137	199	886.81 34.914	884.02 34.804
48	213.90 8.421	211.11 8.311	86	383.24 15.068	380.45 14.978	124	552.59 21.755	549.79 21.645	162	721.93 28.422	719.13 28.312	200	891.27 35.089	888.47 34.979
49	218.36 8.597	215.57 8.487	87	387.70 15.264	384.91 15.154	125	557.04 21.931	554.25 21.821	163	726.38 28.598	723.59 28.488	201	895.72 35.265	892.94 35.155
50	222.82 8.772	220.02 8.662	88	392.16 15.439	389.36 15.329	126	561.50 22.106	558.70 21.996	164	730.84 28.773	728.05 28.663	202	900.18 35.440	897.38 35.330
51	227.27 8.948	224.48 8.838	89	396.61 15.615	393.82 15.505	127	565.95 22.282	563.16 22.172	165	735.30 28.949	732.50 28.839	203	906.64 35.616	901.85 35.506
52	231.73 9.123	228.94 9.013	90	401.07 15.790	398.28 15.680	128	570.41 22.457	567.62 22.347	166	739.75 29.124	736.96 29.014	204	909.09 35.791	906.30 35.681
53	236.19 9.229	233.39 9.189	91	405.53 15.966	402.73 15.856	129	574.87 22.633	572.07 22.523	167	744.21 29.299	741.41 29.189	205	913.55 35.966	910.74 35.856
54	240.64 9.474	237.85 9.354	92	409.98 16.141	407.19 16.031	130	579.32 22.808	576.53 22.689	168	748.66 29.475	745.87 29.365	206	918.00 36.142	915.21 36.032
55	245.10 9.650	242.30 9.540	93	414.44 16.316	411.64 16.206	131	583.78 22.983	580.99 22.873	169	753.12 29.650	750.33 29.540	207	922.46 36.317	919.66 36.207
56	249.55 9.825	246.76 9.715	94	418.90 16.492	416.10 16.382	132	588.24 23.159	585.44 23.049	170	757.58 29.826	754.78 29.716	208	926.92 36.493	924.13 36.383
57	254.01 10.000	251.22 9.890	95	423.35 16.667	420.56 16.557	133	592.69 23.334	589.90 23.224	171	762.03 30.001	759.24 29.891	209	931.97 36.668	928.57 36.558
58	258.47 10.176	255.67 10.066	96	427.81 16.843	425.01 16.733	134	597.15 23.510	594.35 23.400	172	766.49 30.177	763.70 30.067	210	935.83 36.844	933.04 36.734
59	262.92 10.351	260.13 10.241	97	432.26 17.018	429.47 16.908	135	601.61 23.685	598.81 23.575	173	770.95 30.352	768.15 3.242	211	940.29 37.019	937.49 36.909
60	267.38 10.527	264.59 10.417	98	436.72 17.194	433.93 17.084	136	606.06 23.861	603.27 23.751	174	775.40 30.528	772.61 30.418	212	944.74 37.195	941.96 37.085
61	271.84 10.702	269.04 10.592	99	441.18 17.369	438.38 17.259	137	610.52 24.036	607.72 23.926	175	779.86 30.703	777.06 30.593	213	949.20 37.370	946.40 37.260
62	276.29 10.878	273.50 10.768	100	445.63 17.545	442.84 17.435	138	614.97 24.212	612.18 24.102	176	784.32 30.878	781.52 30.768	214	953.65 37.545	950.85 37.435
63	280.75 11.053	277.95 10.943	101	450.09 17.720	447.30 17.610	139	619.43 24.387	616.64 24.277	177	788.77 31.054	785.98 30.944	215	958.11 37.721	955.32 37.611
64	285.21 11.229	282.41 11.119	102	454.55 17.895	451.75 17.785	140	623.89 24.562	621.09 24.452	178	793.23 31.228	790.43 31.119	216	962.57 37.896	959.76 37.786
65	289.66 11.404	286.87 11.294	103	459.00 18.071	456.21 17.961	141	628.34 24.738	625.55 24.628	179	797.68 31.405	794.89 31.295			



HTS® 20mm Sprocket Diameters

No. of Teeth	Diameters mm In.		No. of Teeth	Diameters mm In.		No. of Teeth	Diameters mm In.		No. of Teeth	Diameters mm In.		No. of Teeth	Diameters mm In.	
	PD	OD		PD	OD		PD	OD		PD	OD		PD	OD
34	216.45 8.522	212.13 8.352	71	452.00 17.795	447.68 17.625	108	687.55 27.069	683.23 26.899	145	923.10 36.342	918.78 36.172	182	1158.65 45.616	1154.33 45.446
35	222.82 8.772	218.50 8.602	72	458.37 18.046	454.05 17.876	109	693.92 27.320	689.60 27.150	146	929.46 36.593	925.15 36.423	183	1165.01 45.867	1160.70 45.697
36	229.18 9.023	224.87 8.853	73	464.73 18.297	460.41 18.127	110	700.28 27.570	695.96 27.400	147	935.83 36.840	931.51 36.674	184	1171.38 46.117	1167.06 45.947
37	235.55 9.274	231.23 9.104	74	471.10 18.547	466.78 18.377	111	706.65 27.821	702.33 27.651	148	942.20 37.094	937.88 36.924	185	1177.75 46.368	1173.43 46.198
38	241.92 9.524	237.60 9.354	75	477.46 18.798	473.15 18.628	112	713.01 28.071	708.70 27.901	149	948.56 37.345	944.25 37.175	186	1184.11 46.619	1179.79 46.449
39	248.28 9.775	243.96 9.605	76	483.83 19.048	479.51 18.878	113	719.38 28.322	715.06 28.152	150	954.93 37.596	950.61 37.426	187	1190.48 46.859	1186.16 46.699
40	254.65 10.026	250.33 9.855	77	490.20 19.299	485.88 19.129	114	725.75 28.573	721.43 28.403	151	961.30 37.846	956.98 37.676	188	1196.85 47.120	1192.53 46.950
41	261.01 10.276	256.70 10.106	78	496.56 19.550	492.25 19.380	115	732.11 28.823	727.79 28.653	152	967.66 38.097	963.34 37.927	189	1203.21 47.371	1198.89 47.201
42	267.38 10.527	263.06 10.357	79	502.93 19.800	498.61 19.630	116	738.48 29.074	734.16 28.904	153	974.03 38.348	969.71 38.178	190	1209.58 47.621	1205.26 47.451
43	273.75 10.777	269.43 10.607	80	509.30 20.051	504.98 19.881	117	744.85 29.325	740.53 29.155	154	980.39 38.598	976.08 38.428	191	1215.94 47.672	1211.63 47.702
44	280.11 11.028	275.79 10.858	81	515.66 20.302	511.34 20.132	118	751.21 29.575	746.89 29.405	155	986.76 38.849	982.44 38.679	192	1222.31 48.122	1217.99 47.952
45	286.48 11.279	282.16 11.109	82	522.03 20.552	517.71 20.382	119	757.58 29.826	753.26 29.656	156	993.13 39.099	988.81 38.929	193	1228.68 48.373	1224.36 48.203
46	292.85 11.529	288.53 11.469	83	528.39 20.803	524.08 20.633	120	763.94 30.077	759.63 29.907	157	999.49 39.350	995.18 39.180	194	1235.04 48.624	1230.72 48.454
47	299.21 11.780	294.89 11.610	84	534.76 21.054	530.44 20.884	121	770.31 30.327	765.99 30.157	158	1005.86 39.601	1001.54 39.431	195	1241.41 48.874	1237.09 48.704
48	305.58 12.031	301.26 11.861	85	541.13 21.304	536.81 21.134	122	776.68 30.578	772.36 30.408	159	1012.23 39.851	1007.91 39.681	196	1247.77 49.125	1243.46 48.955
49	311.94 12.281	307.63 12.111	86	547.49 21.555	543.18 21.385	123	783.04 30.828	778.72 30.658	160	1018.59 40.102	1014.27 39.932	197	1254.14 49.376	1249.82 49.206
50	318.31 12.532	313.99 12.362	87	553.86 21.805	549.54 21.635	124	789.41 31.079	785.09 30.909	161	1024.96 40.353	1020.64 40.183	198	1260.51 49.626	1256.19 49.456
51	324.68 12.763	320.36 12.613	88	560.23 22.056	555.91 21.886	125	795.77 31.330	791.46 31.160	162	1031.32 40.603	1027.01 40.433	199	1266.87 49.577	1262.56 49.707
52	331.04 13.033	326.72 12.863	89	566.59 22.307	562.27 22.137	126	805.14 31.580	797.82 31.410	163	1037.69 40.854	1033.37 40.684	200	1273.24 50.128	1268.92 49.958
53	337.41 13.284	333.09 13.114	90	572.96 22.557	568.64 22.387	127	808.51 31.831	804.19 31.661	164	1044.06 41.105	1039.74 40.935	201	1279.61 50.378	1275.29 50.208
54	343.77 13.534	339.46 13.364	91	579.32 22.808	575.01 22.638	128	814.87 32.082	810.56 31.912	165	1050.42 41.355	1046.10 41.185	202	1285.97 50.629	1281.65 50.459
55	350.14 13.785	345.82 13.615	92	585.69 23.059	581.37 22.889	129	821.24 32.332	816.92 32.162	166	1056.79 41.606	1052.47 41.436	203	1292.34 50.679	1288.02 50.709
56	356.51 14.036	352.19 13.856	93	592.06 23.309	587.74 23.139	130	827.61 32.583	823.29 32.413	167	1063.16 41.856	1058.84 41.686	204	1298.70 51.130	1294.39 50.960
57	362.87 14.286	358.56 14.116	94	598.42 23.560	594.10 23.390	131	833.97 32.834	829.65 32.664	168	1069.52 42.107	1065.20 41.937	205	1305.07 51.381	1300.75 51.211
58	369.24 14.537	364.92 14.367	95	604.72 23.811	600.47 23.641	132	840.34 33.084	836.02 32.914	169	1075.89 42.358	1071.57 42.188	206	1311.44 51.631	1307.12 51.461
59	375.61 14.788	371.29 14.618	96	611.15 24.061	606.84 23.891	133	846.70 33.335	842.39 33.165	170	1082.25 42.608	1077.94 42.438	207	1317.80 51.882	1313.48 51.712
60	381.97 15.038	377.65 14.868	97	617.52 24.312	613.20 24.142	134	853.07 33.585	848.75 33.415	171	1088.62 42.859	1084.30 42.689	208	1324.17 52.133	1319.85 51.963
61	388.34 15.289	384.02 15.119	98	623.89 24.562	619.57 24.392	135	859.44 33.836	855.12 33.666	172	1094.99 43.110	1090.67 42.940	209	1330.54 52.383	1326.22 52.213
62	394.70 15.540	390.39 15.370	99	630.25 24.813	625.94 24.643	136	865.80 34.087	861.48 33.917	173	1101.35 43.350	1097.03 43.190	210	1336.90 52.634	1332.58 52.464
63	401.07 15.790	396.75 15.620	100	636.62 25.064	632.30 24.894	137	872.17 34.337	867.85 34.167	174	1107.72 43.611	1103.40 43.441	211	1343.27 52.885	1338.95 52.715
64	407.44 16.041	403.12 15.871	101	642.99 25.314	638.67 25.144	138	878.54 34.588	874.22 34.418	175	1114.08 43.862	1109.77 43.692	212	1349.63 53.135	1345.32 52.965
65	413.80 16.291	409.48 16.121	102	649.35 25.565	645.03 25.395	139	884.90 34.839	880.58 34.669	176	1120.45 44.112	1116.13 43.942	213	1356.00 53.386	1351.68 53.216
66	420.17 16.542	415.85 16.372	103	655.72 25.816	651.40 25.646	140	891.27 35.089	886.95 34.919	177	1126.82 44.363	1122.50 44.193	214	1362.37 53.635	1358.05 53.456
67	426.54 16.793	422.22 16.623	104	662.08 26.066	657.77 25.896	141	897.63 35.340	893.32 35.170	178	1133.18 44.614	1128.87 44.444	215	1368.73 53.887	1364.41 53.717
68	432.90 17.043	428.58 16.873	105	668.45 26.317	664.13 26.147	142	904.00 35.591	899.68 35.421	179	1139.55 44.854	1135.23 44.694	216	1375.10 54.136	1370.79 53.958
69	439.27 17.299	434.95 17.124	106	674.82 26.568	670.50 26.398	143	910.37 35.841	906.05 35.671	180	1145.92 45.115	1141.60 44.945			
70	445.63 17.545	441.32 17.375	107	681.18 26.818	676.87 26.648	144	916.73 36.092	912.41 35.922	181	1152.28 45.365	1147.96 45.195			

DRIVE ALIGNMENT

To assure proper drive alignment, you should refer to the information in this section for center distance alignment. The alternative is to change the idler position, so that the belt can be slipped onto the drive easily. When you install the belt, never force it over the flange. This may cause belt tensile damage.

Positive belts are most sensitive to misalignment, so never use this kind of drive in applications where misalignment is prevalent. Inconsistent belt wear and premature tensile failure may result.

The two most common types of misalignment can be seen in the drawings below. Parallel misalignment is caused when the driver and driven shafts are parallel, but the two sprockets lie in different planes. When the two shafts are not parallel, the drive is angularly misaligned.

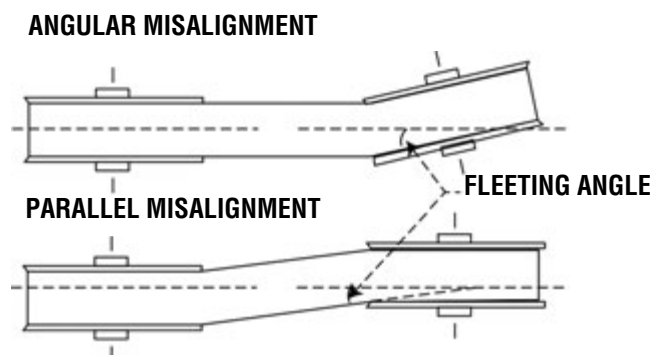
A fleeting angle (shown here) shows where the belt enters and exits the sprocket, and equals the sum of the parallel and angular misalignments.

Any degree of sprocket misalignment will result in some belt life reduction. Misalignment of all positive belt drives should not exceed $\frac{1}{4}$ " or $\frac{1}{6}$ " per foot of center distance. Alignment should be checked with a good straight-edge tool applied to their machined side surfaces from driver to driven and from driven to driver shafts. This way the effect of parallel and angular misalignment can be observed.

Drive misalignment can also cause problems of belt tracking. Some tracking is normal and will not affect performance. However, where center distance is greater than eight times the small sprocket diameter, tracking can be a problem. Special adjustment may be needed. You have to correct the parallel position of the two sprockets until one flange guides the belt in the system and the belt tracks fully on all sprockets. Regardless of the drive's center distance, the best operation will be with the belt contacting only one flange in the system.

You will find the real application problem when the belt contacts flanges on opposite sides of the sprockets. This traps the belt into undesirable parallel misalignment.

Improper bushing installation can result in the entire bushing/sprocket assembly to be "cocked" on the shaft. This leads to angular misalignment. Be sure to follow *Martin's* bushing installation instructions.



INSTALLATION AND TENSIONING ALLOWANCES

We do not recommend fixed center drives. To avoid belt damage and excessive wear, refer to the Distance Allowance Charts. The standard installation allowance is the minimum decrease in the center distance required to install a belt when flanged sprockets are removed from their shafts for belt installation. The charts first column spells this out with more comprehensive information needed for the minimum increase in center distance required for a belt's tension during its normal life.

If a belt is to be installed over flanged sprockets without removing them, the additional installation center distance allowances shown in the second table must be added to the first table data.

Distance Allowance Chart

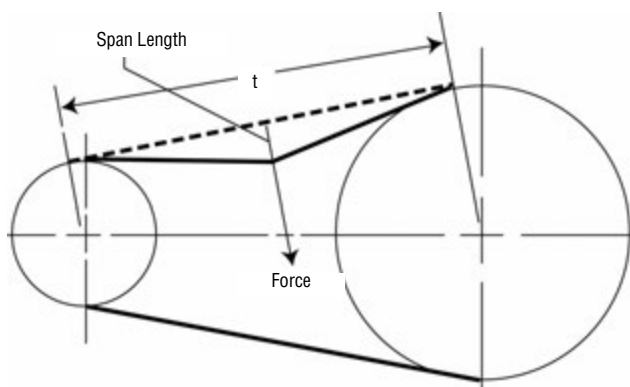
Belt Length (in.)	*Standard Installation Allowance	Tensioning Allowance (Any Drive)
20 and under	0.04"	0.03"
Over 20 to 40	0.05"	0.03"
Over 40 to 60	0.07"	0.04"
Over 60 to 90	0.09"	0.05"
Over 90 to 120	0.11"	0.05"
Over 120 to 160	0.14"	0.05"
Over 160 to 190	0.17"	0.05"
Over 190 to 260	0.21"	0.05"

* Flanged Sprockets Removed for Installation.

HTS BELT TENSIONING AND DEFLECTION FORCE

Lay the belt on the sprockets, adjusting the takeup, so that the belt teeth mesh securely with sprocket grooves. Measure the belt span "t." Then tighten the belt, so that it deflects 1/64" for each inch of belt span when a force is applied. (See Table below.)

Example: A 14mm pitch belt, 85mm wide, with a span of 30" and a maximum force of 28 lbs. applied, should deflect 30/64 inch. Deflection 1/64 per inch of span. (Measure the span length "t" as shown in the sketch below).



$$t = \sqrt{C^2 - \left(\frac{D-d}{2}\right)^2}$$

These ranges of deflection forces are applicable for drive installation. Actual operation tension depends on the number of teeth mesh, system rigidity, peak loads, etc.

Belt Pitch	Belt Width	Force*
5mm	9mm	9 to 18 oz.
	15mm	1 to 2 lbs.
	25mm	1-1/2 to 3 lbs.
8mm	20mm	3 to 4 lbs.
	30mm	5 to 6-1/2 lbs.
	50mm	9 to 12 lbs.
	85mm	16 to 20 lbs.
14mm	40mm	10 to 13 lbs.
	55mm	15 to 18 lbs.
	85mm	23 to 28 lbs.
	115mm	32 to 39 lbs.
20mm	170mm	48 to 57 lbs.
	115mm	45 to 55 lbs.
	170mm	70 to 85 lbs.
	230mm	95 to 120 lbs.
	290mm	120 to 150 lbs.
	340mm	145 to 180 lbs.

*Force applies to speeds exceeding 600 rpm.

NOTE: For belts wider than 2", you can avoid belt distortion by placing a 3/4" or 1" metal strip across the belt between belt and tension tester.