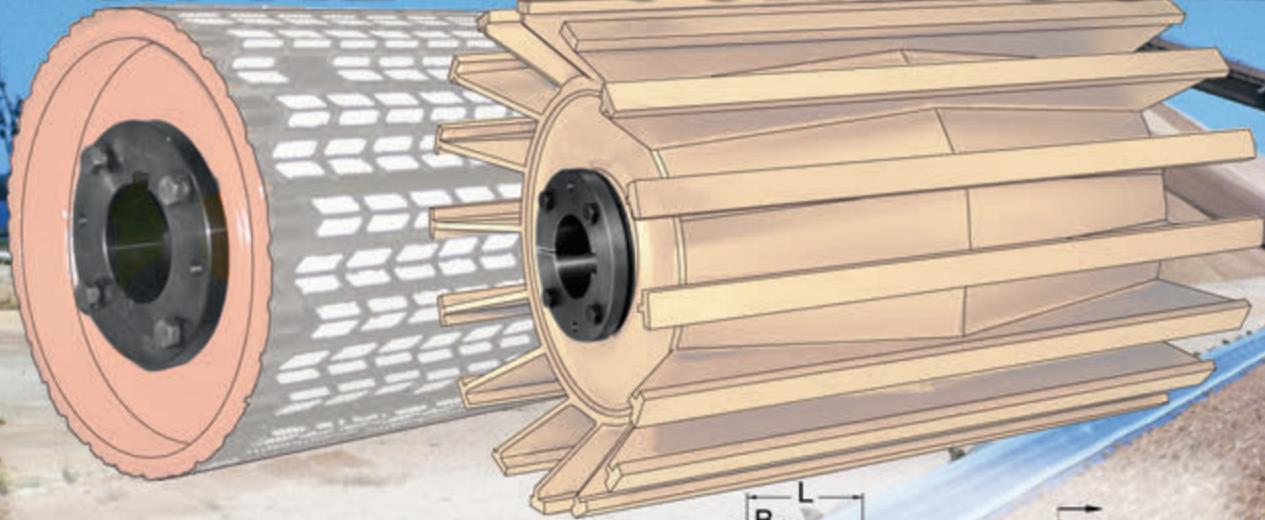
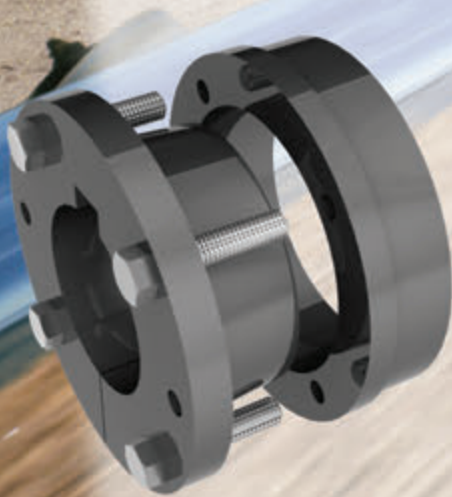


Martin M-HE™ BUSHINGS



Martin's M-HE Bushings are available from all *Martin's* locations to fit all popular pulley sizes. *Martin* stocks M-HE bushings in a wide range of bore sizes for each bushing size.



- In stock all over North America.
- 24 Hour Service.
- Specifically designed for conveyor pulley applications.
- Reduces end disc pre-stressing.
- Specially designed taper requires minimal axial movement of the hub and end disc during installation.
- Available in a wide range of bore sizes.



Martin

SPROCKET & GEAR, INC.



www.martinsprocket.com • "The ONE You Rely On" • 817-258-3000

HE Bushing Interchange

DODGE	Mazda Part No.	Dimensions				Cap Screws		Wt. Lbs.	Standard Stock Bores		Wrench Torque (Ft./Lbs.)
		Max. Bore (In.)	Length thru Bore (L)	Flange Width (B)	Flange O.D. (OD)	Bolt Circles (BC)	No. Bolts		Size	Stock Bore	
206623	M-HE25 1	2-1/2	2-1/4	3/4	4-5/8	3-15/16	4	3/8-16 x 1-1/2	1	1/4 X 1/8	30
206744	M-HE25 1 1/8	2-1/2	2-1/4	3/4	4-5/8	3-15/16	4	3/8-16 x 1-1/2	3	1-1/8	30
206615	M-HE25 1 3/16	2-1/2	2-1/4	3/4	4-5/8	3-15/16	4	3/8-16 x 1-1/2	3	1-3/16	30
206745	M-HE25 1 1/4	2-1/2	2-1/4	3/4	4-5/8	3-15/16	4	3/8-16 x 1-1/2	3	1-1/4	30
206747	M-HE25 1 5/16	2-1/2	2-1/4	3/4	4-5/8	3-15/16	4	3/8-16 x 1-1/2	3	1-5/16	30
206748	M-HE25 1 3/8	2-1/2	2-1/4	3/4	4-5/8	3-15/16	4	3/8-16 x 1-1/2	3	1-3/8	30
206617	M-HE25 1 7/16	2-1/2	2-1/4	3/4	4-5/8	3-15/16	4	3/8-16 x 1-1/2	3	1-7/16	30
206750	M-HE25 1 1/2	2-1/2	2-1/4	3/4	4-5/8	3-15/16	4	3/8-16 x 1-1/2	3	1-1/2	30
206752	M-HE25 1 11/16	2-1/2	2-1/4	3/4	4-5/8	3-15/16	4	3/8-16 x 1-1/2	3	1-11/16	30
206754	M-HE25 1 3/4	2-1/2	2-1/4	3/4	4-5/8	3-15/16	4	3/8-16 x 1-1/2	3	1-3/4	30
206756	M-HE25 1 13/16	2-1/2	2-1/4	3/4	4-5/8	3-15/16	4	3/8-16 x 1-1/2	3	1-13/16	30
206758	M-HE25 1 7/8	2-1/2	2-1/4	3/4	4-5/8	3-15/16	4	3/8-16 x 1-1/2	3	1-7/8	30
206619	M-HE25 1 15/16	2-1/2	2-1/4	3/4	4-5/8	3-15/16	4	3/8-16 x 1-1/2	3	1-15/16	30
206760	M-HE25 2	2-1/2	2-1/4	3/4	4-5/8	3-15/16	4	3/8-16 x 1-1/2	3	2	30
206977	M-HE25 2 1/8	2-1/2	2-1/4	3/4	4-5/8	3-15/16	4	3/8-16 x 1-1/2	3	2-1/8	30
206763	M-HE25 2 3/16	2-1/2	2-1/4	3/4	4-5/8	3-15/16	4	3/8-16 x 1-1/2	3	2-3/16	30
206765	M-HE25 2 1/4	2-1/2	2-1/4	3/4	4-5/8	3-15/16	4	3/8-16 x 1-1/2	3	2-1/4	30
206767	M-HE25 2 5/16	2-1/2	2-1/4	3/4	4-5/8	3-15/16	4	3/8-16 x 1-1/2	3	2-5/16	30
206768	M-HE25 2 3/8	2-1/2	2-1/4	3/4	4-5/8	3-15/16	4	3/8-16 x 1-1/2	3	2-3/8	30
206621	M-HE25 2 7/16	2-1/2	2-1/4	3/4	4-5/8	3-15/16	4	3/8-16 x 1-1/2	3	2-7/16	30
206770	M-HE25 2 1/2	2-1/2	2-1/4	3/4	4-5/8	3-15/16	4	3/8-16 x 1-1/2	3	2-1/2	30
206635	M-HE30 1 3/8	3	2-3/4	7/8	5-5/8	4-11/16	4	1/2-13 x 1-3/4	6	1-3/8	60
206625	M-HE30 1 7/16	3	2-3/4	7/8	5-5/8	4-11/16	4	1/2-13 x 1-3/4	6	1-7/16	60
206637	M-HE30 1 1/2	3	2-3/4	7/8	5-5/8	4-11/16	4	1/2-13 x 1-3/4	6	1-1/2	60
206639	M-HE30 1 11/16	3	2-3/4	7/8	5-5/8	4-11/16	4	1/2-13 x 1-3/4	6	1-11/16	60
206772	M-HE30 1 3/4	3	2-3/4	7/8	5-5/8	4-11/16	4	1/2-13 x 1-3/4	6	1-3/4	60
206627	M-HE30 1 15/16	3	2-3/4	7/8	5-5/8	4-11/16	4	1/2-13 x 1-3/4	6	1-15/16	60
206774	M-HE30 2	3	2-3/4	7/8	5-5/8	4-11/16	4	1/2-13 x 1-3/4	6	2	60
206775	M-HE30 2 3/16	3	2-3/4	7/8	5-5/8	4-11/16	4	1/2-13 x 1-3/4	6	2-3/16	60
206629	M-HE30 2 7/16	3	2-3/4	7/8	5-5/8	4-11/16	4	1/2-13 x 1-3/4	6	2-7/16	60
206777	M-HE30 2 1/2	3	2-3/4	7/8	5-5/8	4-11/16	4	1/2-13 x 1-3/4	6	2-1/2	60
206838	M-HE30 2 9/16	3	2-3/4	7/8	5-5/8	4-11/16	4	1/2-13 x 1-3/4	6	2-9/16	60
205881	M-HE30 2 5/8	3	2-3/4	7/8	5-5/8	4-11/16	4	1/2-13 x 1-3/4	6	2-9/16	60
206631	M-HE30 2 11/16	3	2-3/4	7/8	5-5/8	4-11/16	4	1/2-13 x 1-3/4	6	2-11/16	60
206778	M-HE30 2 3/4	3	2-3/4	7/8	5-5/8	4-11/16	4	1/2-13 x 1-3/4	6	2-3/4	60
206779	M-HE30 2 13/16	3	2-3/4	7/8	5-5/8	4-11/16	4	1/2-13 x 1-3/4	6	2-13/16	60
206780	M-HE30 2 7/8	3	2-3/4	7/8	5-5/8	4-11/16	4	1/2-13 x 1-3/4	6	2-7/8	60
206633	M-HE30 2 15/16	3	2-3/4	7/8	5-5/8	4-11/16	4	1/2-13 x 1-3/4	6	2-15/16	60
206781	M-HE30 3	3	2-3/4	7/8	5-5/8	4-11/16	4	1/2-13 x 1-3/4	6	3	60
206648	M-HE35 1 3/16	3-1/2	3	7/8	6-5/8	5-9/16	4	9/16-12 x 2	8	1-3/16	90
206649	M-HE35 1 7/16	3-1/2	3	7/8	6-5/8	5-9/16	4	9/16-12 x 2	8	1-7/16	90
206784	M-HE35 1 1/2	3-1/2	3	7/8	6-5/8	5-9/16	4	9/16-12 x 2	8	1-1/2	90
206786	M-HE35 1 11/16	3-1/2	3	7/8	6-5/8	5-9/16	4	9/16-12 x 2	8	1-11/16	90
206839	M-HE35 1 3/4	3-1/2	3	7/8	6-5/8	5-9/16	4	9/16-12 x 2	8	1-3/4	90
206640	M-HE35 1 15/16	3-1/2	3	7/8	6-5/8	5-9/16	4	9/16-12 x 2	8	1-15/16	90
206788	M-HE35 2	3-1/2	3	7/8	6-5/8	5-9/16	4	9/16-12 x 2	8	2	90
206790	M-HE35 2 3/16	3-1/2	3	7/8	6-5/8	5-9/16	4	9/16-12 x 2	8	2-3/16	90
206792	M-HE35 2 1/4	3-1/2	3	7/8	6-5/8	5-9/16	4	9/16-12 x 2	8	2-1/4	90
206794	M-HE35 2 3/8	3-1/2	3	7/8	6-5/8	5-9/16	4	9/16-12 x 2	8	2-3/8	90
206642	M-HE35 2 7/16	3-1/2	3	7/8	6-5/8	5-9/16	4	9/16-12 x 2	8	2-7/16	90
206795	M-HE35 2 1/2	3-1/2	3	7/8	6-5/8	5-9/16	4	9/16-12 x 2	8	2-1/2	90
206796	M-HE35 2 11/16	3-1/2	3	7/8	6-5/8	5-9/16	4	9/16-12 x 2	8	2-11/16	90
206798	M-HE35 2 3/4	3-1/2	3	7/8	6-5/8	5-9/16	4	9/16-12 x 2	8	2-3/4	90
206800	M-HE35 2 7/8	3-1/2	3	7/8	6-5/8	5-9/16	4	9/16-12 x 2	8	2-7/8	90
206644	M-HE35 2 15/16	3-1/2	3	7/8	6-5/8	5-9/16	4	9/16-12 x 2	8	2-15/16	90
206801	M-HE35 3	3-1/2	3	7/8	6-5/8	5-9/16	4	9/16-12 x 2	8	3	90
206803	M-HE35 3 3/16	3-1/2	3	7/8	6-5/8	5-9/16	4	9/16-12 x 2	8	3-3/16	90
206840	M-HE35 3 3/8	3-1/2	3	7/8	6-5/8	5-9/16	4	9/16-12 x 2	8	3-3/8	90
206646	M-HE35 3 7/16	3-1/2	3	7/8	6-5/8	5-9/16	4	9/16-12 x 2	8	3-7/16	90
206807	M-HE35 3 1/2	3-1/2	3	7/8	6-5/8	5-9/16	4	9/16-12 x 2	8	3-1/2	90
206658	M-HE40 1 15/16	4	3-1/2	1	7-1/2	6-5/16	4	5/8-11 x 2-1/2	13	1-15/16	140
206659	M-HE40 2 3/16	4	3-1/2	1	7-1/2	6-5/16	4	5/8-11 x 2-1/2	13	1-2 X 1/4	140
206810	M-HE40 2 7/16	4	3-1/2	1	7-1/2	6-5/16	4	5/8-11 x 2-1/2	13	2-7/16	140
206811	M-HE40 2 1/2	4	3-1/2	1	7-1/2	6-5/16	4	5/8-11 x 2-1/2	13	2-1/2	140
206650	M-HE40 2 11/16	4	3-1/2	1	7-1/2	6-5/16	4	5/8-11 x 2-1/2	13	2-11/16	140
206652	M-HE40 2 15/16	4	3-1/2	1	7-1/2	6-5/16	4	5/8-11 x 2-1/2	13	2-15/16	140
206812	M-HE40 3 3/16	4	3-1/2	1	7-1/2	6-5/16	4	5/8-11 x 2-1/2	13	3-3/16	140
206813	M-HE40 3 7/16	4	3-1/2	1	7-1/2	6-5/16	4	5/8-11 x 2-1/2	13	3-7/16	140

206672	M-HE40 3 1/16	4	3-1/2	1	7-1/2	6-5/16	4	5/8-11 x 2-1/2	13	3-11/16	7/8 X 7/16	140
206673	M-HE40 3 7/16	4	3-1/2	1	7-1/2	6-5/16	4	5/8-11 x 2-1/2	13	3-7/16	7/8 X 7/16	140
206681	M-HE40 3 7/8	4	3-1/2	1	7-1/2	6-5/16	4	5/8-11 x 2-1/2	13	3-7/8	1 X 1/4	140
206686	M-HE40 3 15/16	4	3-1/2	1	7-1/2	6-5/16	4	5/8-11 x 2-1/2	13	3-15/16	1 X 1/4	140
206675	M-HE40 4	4	3-1/2	1	7-1/2	6-5/16	4	5/8-11 x 2-1/2	13	4	1 X 1/4	140
206670	M-HE45 1 15/16	4	4-1/2	1-1/4	8-3/4	7-5/16	4	5/8-11 x 2-1/2	22	1-15/16	1/2 X 1/4	140
206660	M-HE45 2 7/16	4	4-1/2	1-1/4	8-3/4	7-5/16	4	5/8-11 x 2-1/2	22	2-7/16	5/8 X 5/16	140
206662	M-HE45 2 15/16	4	4-1/2	1-1/4	8-3/4	7-5/16	4	5/8-11 x 2-1/2	22	2-15/16	3/4 X 3/8	140
206664	M-HE45 3 7/16	4	4-1/2	1-1/4	8-3/4	7-5/16	4	5/8-11 x 2-1/2	22	3-7/16	7/8 X 7/16	140
206671	M-HE45 3 1/2	4	4-1/2	1-1/4	8-3/4	7-5/16	4	5/8-11 x 2-1/2	22	3-1/2	7/8 X 7/16	140
206666	M-HE45 3 15/16	4	4-1/2	1-1/4	8-3/4	7-5/16	4	5/8-11 x 2-1/2	22	3-15/16	1 X 1/2	140
206672	M-HE45 4 3/16	4	4-1/2	1-1/4	8-3/4	7-5/16	4	5/8-11 x 2-1/2	22	4-3/16	1 X 1/4	140
206683	M-HE45 4 3/8	4	4-1/2	1-1/4	8-3/4	7-5/16	4	5/8-11 x 2-1/2	22	4-3/8	1 X 1/4	140
206668	M-HE45 4 7/16	4	4-1/2	1-1/4	8-3/4	7-5/16	4	5/8-11 x 2-1/2	22	4-7/16	1 X 1/4	140
206673	M-HE45 4 1/2	4	4-1/2	1-1/4	8-3/4	7-5/16	4	5/8-11 x 2-1/2	22	4-1/2	1 X 1/4	140
207998	M-HE50 2 15/16	5	4-1/2	1-1/2	9-5/8	8	4	3/4-10 x 3	40	2-15/16	3/4 X 3/8	200
205884	M-HE50 3 5/16	5	4-1/2	1-1/2	9-5/8	8	4	3/4-10 x 3	40	3-7/16	7/8 X 7/16	200
206817	M-HE50 3 7/16	5	4-1/2	1-1/2	9-5/8	8	4	3/4-10 x 3	40	3-15/16	1 X 1/2	200
206818	M-HE50 4 15/16	5	4-1/2	1-1/2	9-5/8	8	4	3/4-10 x 3	40	4-15/16	1-1/4 X 1/4	200
206675	M-HE50 4 15/16	5	4-1/2	1-1/2	9-5/8	8	4	3/4-10 x 3	40	4-15/16	1-1/4 X 1/4	200
206677	M-HE50 4 7/16	5	4-1/2	1-1/2	9-5/8	8	4	3/4-10 x 3	40	4-7/16	1 X 1/2	200
206821	M-HE50 5	5	4-1/2	1-1/2	9-5/8	8	4	3/4-10 x 3	40	5	1-1/4 X 1/4	200
206686	M-HE60 3 15/16	6	5-1/4	1-3/4	11-1/8	9-1/4	4	7/8-9 x 3-1/2	50	3-15/16	1 X 1/2	350
206688	M-HE60 4 7/16	6	5-1/4	1-3/4	11-1/8	9-1/4	4	7/8-9 x 3-1/2	50	4-7/16	1 X 1/2	350
206680	M-HE60 4 15/16	6	5-1/4	1-3/4	11-1/8	9-1/4	4	7/8-9 x 3-1/2	50	4-15/16	1-1/4 X 5/8	350
206682	M-HE60 5 7/16	6	5-1/4	1-3/4	11-1/8	9-1/4	4	7/8-9 x 3-1/2	50	5-7/16	1-1/4 X 5/8	350
206823	M-HE60 5 1/2	6	5-1/4	1-3/4	11-1/8	9-1/4	4	7/8-9 x 3-1/2	50	5-1/2	1-1/4 X 5/8	350
206684	M-HE60 5 15/16	6	5-1/4	1-3/4	11-1/8	9-1/4	4	7/8-9 x 3-1/2	50	5-15/16	1-1/2 X 1/4	350
206825	M-HE60 6	6	5-1/4	1-3/4	11-1/8	9-1/4	4	7/8-9 x 3-1/2	50	6	1-1/2 X 1/4	350
205886	M-HE70 4 7/16	7	4-45	2	12-3/4	10-1/2	6	1-8 x 1/4	74	4-7/16	1 X 1/2	350
205880	M-HE70 4 15/16	7	4-45	2	12-3/4	10-1/2	6	1-8 x 1/4	74	4-15/16	1-1/4 X 5/8	350
205887	M-HE70 5 7/16	7	4-45	2	12-3/4	10-1/2	6	1-8 x 1/4	74	5-7/16	1-1/4 X 5/8	350
207396	M-HE70 6	7	4-45	2	12-3/4	10-1/2	6	1-8 x 1/4	74	6	1-1/2 X 3/4	350
206692	M-HE70 6 7/16	7	4-45	2	12-3/4	10-1/2	6	1-8 x 1/4	74	6-7/16	1-1/2 X 3/4	350
206845	M-HE70 6 1/2	7	4-45	2	12-3/4	10-1/2	6	1-8 x 1/4	74	6-1/2	1-1/2 X 3/4	350
206694	M-HE70 6 15/16	7	4-45	2	12-3/4	10-1/2	6	1-8 x 1/4	74	6-15/16	1-3/4 X 1/4	350
206847	M-HE70 7	7	4-45	2	12-3/4	10-1/2	6	1-8 x 1/4	74	7	1-3/4 X 1/4	350
207399	M-HE80 5 15/16	8	5-20	2-1/4	14-1/2	12-1/8	6	1-1/8-7 x 4-1/2	114	5-15/16	1-1/2 X 3/4	350
206700	M-HE80 5 7/16	8	5-20	2-1/4	14-1/2	12-1/8	6	1-1/8-7 x 4-1/2	114	6-7/16	1-1/2 X 3/4	350
205888	M-HE80 6 3/4	8	5-20	2-1/4	14-1/2	12-1/8	6	1-1/8-7 x 4-1/2	114	6-3/4	1-3/4 X 3/4	350
206702	M-HE80 6 15/16	8	5-20	2-1/4	14-1/2	12-1/8	6	1-1/8-7 x 4-1/2	114	6-15/16	1-3/4 X 3/4	350
205889	M-HE80 7	8	5-20	2-1/4	14-1/2	12-1/8	6	1-1/8-7 x 4-1/2	114	7	1-3/4 X 3/4	350
206890	M-HE80 7 3/16	8	5-20	2-1/4	14-1/2	12-1/8	6	1-1/8-7 x 4-1/2	114	7-3/16	1-3/4 X 3/4	350
206704	M-HE80 7 7/16	8	5-20	2-1/4	14-1/2	12-1/8	6	1-1/8-7 x 4-1/2	114	7-7/16	1-3/4 X 3/4	350
206849	M-HE80 7 1/2	8	5-20	2-1/4	14-1/2	12-1/8	6	1-1/8-7 x 4-1/2	114	7-1/2	1-3/4 X 3/4	350
205891	M-HE80 7 3/4	8	5-20	2-1/4	14-1/2	12-1/8	6	1-1/8-7 x 4-1/2	114	7-3/4	2 X 3/4	350
206706	M-HE80 7 15/16	8	5-20	2-1/4	14-1/2	12-1/8	6	1-1/8-7 x 4-1/2	114	7-15/16	2 X 3/4	350
206708	M-HE80 8	8	5-20	2-1/4	14-1/2	12-1/8	6	1-1/8-7 x 4-1/2	114	8	2 X 3/4	350

HE Hub Interchange

Martin Part Number	Dimensions - Inches						B.C.	Tapped Holes		Wt. Lbs. (Approx.)
	OD	LTB	Step OD	Step LTB	Taper Fit	No.		Size		
M-HEH-25	4.700	1.140	4.499	0.822	3.312	3.938	3.938	4	3/8-16	2.6
M-HEH-30	6.950	1.265	6.624	0.885	3.907	4.688	4.688	4	1/2-13	8.4
M-HEH-35	6.910	1.515	6.627	1.010	4.717	5.563	5.563	4	9/16-12	7.9
M-HEH-40	8.420	1.765	8.002	1.260	5.445	6.313	6.313	4	5/8-11	14.6
M-HEH-45	9.000	2.140	7.999	1.510	6.124	7.313	7.313	6	5/8-11	19.0
M-HEH-50	10.000	2.515	9.499	1.790	6.685	8.000	8.000	6	3/4-10	27.8
M-HEH-60	11.906	2.765	11.249	2.010	7.808	9.250	9.250	6	7/8-9	43.7
M-HEH-70	13.642	3.140	13.187	2.198	9.994	11.563	11.563	6	1-8	57.7
M-HEH-80	15.265	3.640	14.749	2.635	11.119	12.875	12.875	6	1-1/8-7	81.4



INVENTORY: *Martin* delivers with incredible fill rates from one of its many facilities strategically located across North America.



SERVICE: *Martin* ships rebores and other alterations within hours - not days... MTO's in days - not weeks.



PEOPLE: When you call *Martin* you get a person, not voice mail. We are ready, able and willing to help...Now!

For more information contact a branch near you:

USA

General Offices

Sales and Manufacturing

Arlington, TX

3100 Sprocket Drive 76015-2898
P.O. Box 91588
Arlington, TX 76015-0088
817-258-3000 (FAX 817-258-3333)

Regional Manufacturing Plants

Albemarle, NC (Conveyor Pulley Div.)

306 Bethany Road
Albemarle, NC 28001-8520
704-982-9555 (FAX 704-982-9599)

Burleson, TX

555 N. Burleson Blvd.
Burleson, TX 76028
817-295-7151 (FAX 817-447-3840)

Danielsville, PA

3376 Delps Road 18038-9515
P.O. Box 267 • Danielsville, PA 18038-0267
610-837-1841 (FAX 610-837-7337)

Ft. Worth, TX (Conveyor Div.)

3600 McCart Avenue
Ft. Worth, TX 76110-4692
817-258-3000 (FAX 817-258-3173)

Ft. Worth, TX (Tool & Forge Div.)

3600 McCart Avenue
Ft. Worth, TX 76110-4692
817-258-3000 (FAX 817-258-3173)

Montpelier, OH

350 S. Airport Road
Montpelier, OH 43543-9329
419-485-5515 (FAX 419-485-3565)

Sacramento, CA

1199 Vine Street
Sacramento, CA 95814-0426
916-441-7172 (FAX 916-441-4600)

Scottsdale, GA

3303 Church Street 30079-1395
P.O. Box 886 • Scottsdale, GA 30079-0886
404-292-8744 (FAX 404-292-7771)

Branch Manufacturing Centers

Boston, MA

357 Fortune Boulevard
Milford, MA 01757-1723
508-634-3990 (FAX 508-634-3998)

Charlotte, NC

3901 Scott Futrell Drive
Charlotte, NC 28208-3539
704-394-9111 (FAX 704-394-9122)

Chicago, IL

1505 Birchwood Avenue
Des Plaines, IL 60018-3001
847-298-8844 (FAX 847-298-2967)

Denver, CO

10800 East 54th Avenue
Denver CO 80239-2124
303-371-8466 (FAX 303-371-7116)

Houston, TX

9910 Bent Oak Drive
Houston, TX 77040-3222
713-849-4330 (FAX 713-849-4807)

Kansas City, MO

1520 North Commerce Avenue
Kansas City, MO 64120-4961
816-231-5575 (FAX 816-231-1959)

Los Angeles, CA

5920 South Triangle Drive
Commerce, CA 90040-3639
323-728-8117 (FAX 323-722-7526)

Minneapolis, MN

10601 Hampshire Avenue South
Bloomington, MN 55438-2395
952-829-0623 (FAX 952-944-9385)

Nashville, TN

732 Massman Drive
Nashville, Tennessee 37210
615-871-4730 (FAX 615-871-4125)

Portland, OR

3030 Northwest Industrial Street
Portland, OR 97210-1734
503-223-7261 (FAX 503-221-0203)

Tampa, FL

3201 Queen Palm Drive
Tampa FL 33619-1331
813-623-1705 (FAX 813-626-8953)

Wayne, NJ

7 High Point Drive
Wayne, NJ 07470-7432
973-633-5700 (FAX 973-633-7196)

Manufacturing Only

Abilene, TX • Clarksville, TX

Dallas, TX • Mansfield, TX

Paragould, AR

CANADA

Sales and Manufacturing

Martin Sprocket & Gear Canada Inc.

Edmonton, Alberta

4023/4027 53rd Avenue,
Edmonton, Alberta, Canada T6B 3C6
780-450-0888 (Fax 780-465-0079)

Mississauga, Ontario

896 Meyerside Drive
Mississauga, Ontario, Canada L5T 1R9
905-670-1991 (FAX 905-670-2110)

Ayr, Ontario (Conveyor Div.)

320 Darrell Drive
Ayr, Ontario, Canada N0B 1E0
519-621-0546 (FAX 519-621-4413)

MEXICO

Sales and Manufacturing

Martin Sprocket & Gear de México, S.A. de C.V.

Guadalajara, JAL

Av. Colón Sur No. 6013, Edificio 1 Modulo 2
Colonia Santa María Tequepexpan
Tlaquepaque, Jalisco Mexico 45601
+52 33-3283-1188 (martin76@martinsprocket.com)

Monterrey, N.L.

Av. Industrial No. 100
Lote 6 y 7, Manzana 11
Parque Industrial La Silla Apodaca
Apodaca, N.L. México 66648
+52 811 156 6830 (martin75@martinsprocket.com)

Toluca, MEX

Km 52 Carretera, Naucalpan-Toluca
Calle 3, Manzana VII, Lote 11
Parque Industrial Toluca 2000
Toluca, Edo. de México 50233
+52 722 276 0800 (martin74@martinsprocket.com)

SOUTH AMERICA

Sales and Manufacturing

Martin Sprocket & Gear do Brazil

São Paulo, SP

SP 332 Km 154,5
Artur Nogueira – São Paulo
CEP 13160-000
C.P. 138
Tel: 19 3877 4500

CHINA

Asia Division Headquarters

Martin Sprocket & Gear (Shanghai) Co., Ltd.

81 Tang Yao Road,
Hua Ting Town, Jiading District,
Shanghai 201816, P. R. China
Tel.: 86-021-67084888
Fax: 86-021-67084889

Changzhou • Fuzhou • Wuhan

Zhongshan • Tianjin • Harbin

Martin Sprocket & Gear, Inc. • 3100 Sprocket Drive Arlington, TX 76015 • 817-258-3000
www.martinsprocket.com