

BALDOR® • **RELIANCE**

Product Information Packet

EM3550T

1.5HP,3480RPM,3PH,60HZ,143T,3520M,TEFC,F

Part Detail							
Revision:	S	Status:	PRD/A	Change #:		Proprietary:	No
Type:	AC	Elec. Spec:	35WGM760	CD Diagram:	CD0005	Mfg Plant:	
Mech. Spec:	35T638	Layout:	35LYT638	Poles:	02	Created Date:	04-28-2010
Base:	RG	Eff. Date:	07-19-2017	Leads:	9#18		

Specs			
Catalog Number:	EM3550T	Heater Indicator:	No Heater
Enclosure:	TEFC	Insulation Class:	F
Frame:	143T	Inverter Code:	Not Inverter
Frame Material:	Steel	KVA Code:	L
Output @ Frequency:	1.500 HP @ 60 HZ	Lifting Lugs:	No Lifting Lugs
Synchronous Speed @ Frequency:	3600 RPM @ 60 HZ	Locked Bearing Indicator:	No Locked Bearing
Voltage @ Frequency:	460.0 V @ 60 HZ	Motor Lead Quantity/Wire Size:	9 @ 18 AWG
	230.0 V @ 60 HZ	Motor Lead Exit:	Ko Box
XP Class and Group:	None	Motor Lead Termination:	Flying Leads
XP Division:	Not Applicable	Motor Type:	3520M
Agency Approvals:	UR	Mounting Arrangement:	F1
	CSA EEV	Power Factor:	85
	CSA	Product Family:	General Purpose
Auxillary Box:	No Auxillary Box	Pulley End Bearing Type:	Ball
Auxillary Box Lead Termination:	None	Pulley Face Code:	Standard
Base Indicator:	Rigid	Pulley Shaft Indicator:	Standard
Bearing Grease Type:	Polyrex EM (-20F +300F)	Rodent Screen:	None
Blower:	None	Shaft Extension Location:	Pulley End

Current @ Voltage:	1.900 A @ 460.0 V	Shaft Ground Indicator:	No Shaft Grounding
	3.800 A @ 230.0 V	Shaft Rotation:	Reversible
	4.000 A @ 208.0 V	Shaft Slinger Indicator:	No Slinger
Design Code:	B	Speed Code:	Single Speed
Drip Cover:	No Drip Cover	Motor Standards:	NEMA
Duty Rating:	CONT	Starting Method:	Direct on line
Electrically Isolated Bearing:	Not Electrically Isolated	Thermal Device - Bearing:	None
Feedback Device:	NO FEEDBACK	Thermal Device - Winding:	None
Front Face Code:	Standard	Vibration Sensor Indicator:	No Vibration Sensor
Front Shaft Indicator:	None	Winding Thermal 1:	None
		Winding Thermal 2:	None

Nameplate NP3441LUA										
CAT.NO.	EM3550T									
SPEC	35T638M760G1									
HP	1.5									
VOLTS	230/460									
AMPS	3.8/1.9									
RPM	3500									
FRAME	143T				HZ	60			PH	3
SF	1.15		CODE	L	DES	B		CLASS	F	
NEMA NOM. EFF	84		PF	85						
RATING	40C AMB-CONT									
CC	010A			USABLE AT 208V						4
ENCL	TEFC		SER							
DE	6205			ODE	6203					
VPWM INVERTER READY										
CT6-60H(10:1)VT3-60H(20:1)										
	50Hz 1.5HP 190/380V 4.6/2.3A									
	SF1.0									

AC Induction Motor Performance Data

Record # 52482 - Typical performance - not guaranteed values

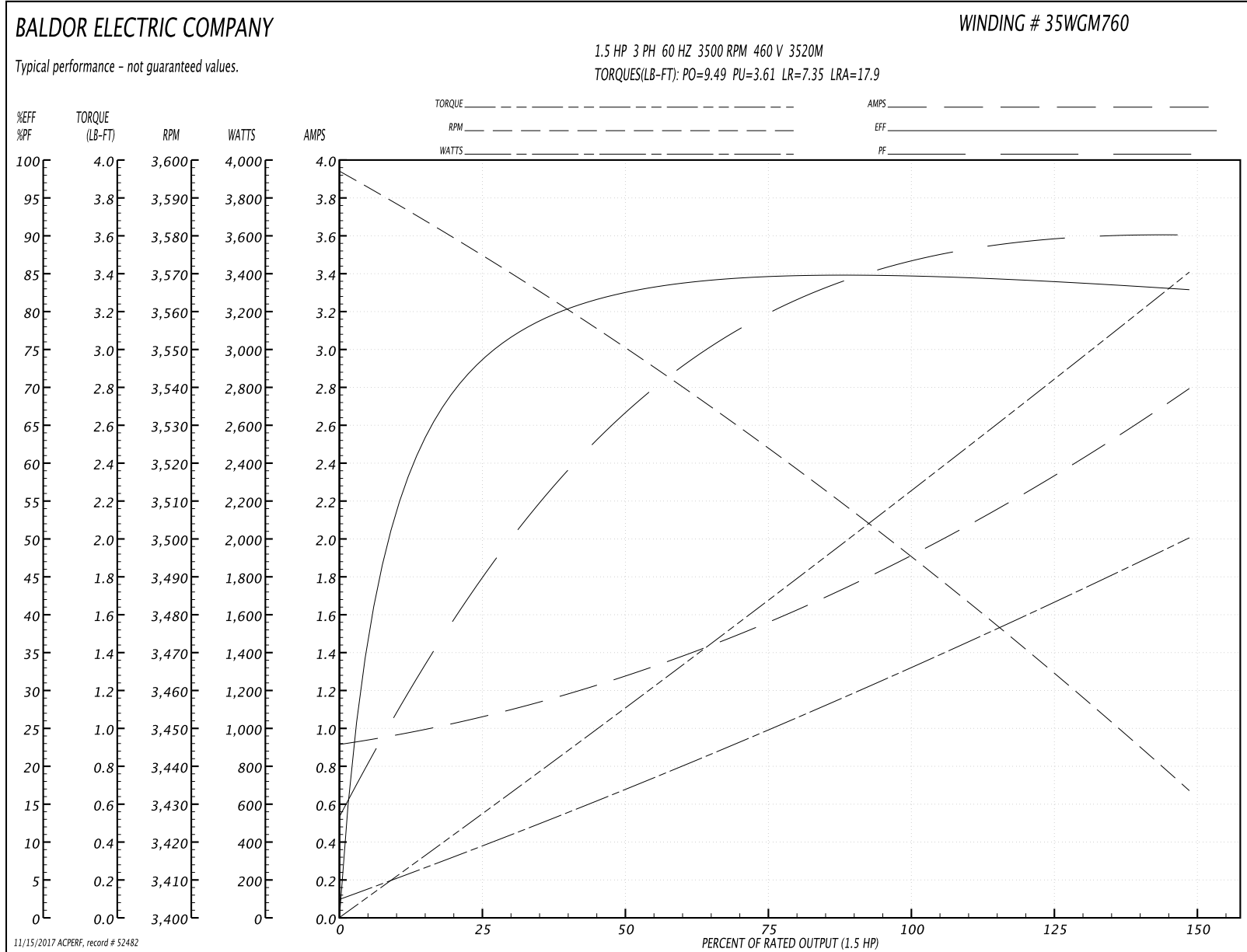
Winding: 35WGM760-R051	Type: 3520M	Enclosure: TEFC
-------------------------------	--------------------	------------------------

Nameplate Data				460 V, 60 Hz: High Voltage Connection	
Rated Output (HP)	1.5			Full Load Torque	2.22 LB-FT
Volts	230/460			Start Configuration	direct on line
Full Load Amps	3.8/1.9			Breakdown Torque	9.49 LB-FT
R.P.M.	3500			Pull-up Torque	3.61 LB-FT
Hz	60	Phase	3	Locked-rotor Torque	7.35 LB-FT
NEMA Design Code	B	KVA Code	L	Starting Current	17.9 A
Service Factor (S.F.)	1.15			No-load Current	0.932 A
NEMA Nom. Eff.	84	Power Factor	85	Line-line Res. @ 25°C	12.2 Ω
Rating - Duty	40C AMB-CONT			Temp. Rise @ Rated Load	43°C
S.F. Amps				Temp. Rise @ S.F. Load	50°C
				Locked-rotor Power Factor	60.1
				Rotor inertia	0.0553 LB-FT ²

Load Characteristics 460 V, 60 Hz, 1.5 HP

% of Rated Load	25	50	75	100	125	150	S.F.
Power Factor	45	67	79	85	89	90	87
Efficiency	72.3	82.2	84.4	84.8	84.3	82.8	84.5
Speed	3575	3551	3526	3498	3466	3433	3479
Line amperes	1.03	1.25	1.55	1.91	2.31	2.79	2.15

Performance Graph at 460V, 60Hz, 1.5HP Typical performance - Not guaranteed values



AC Induction Motor Performance Data

Record # 59170 - Typical performance - not guaranteed values

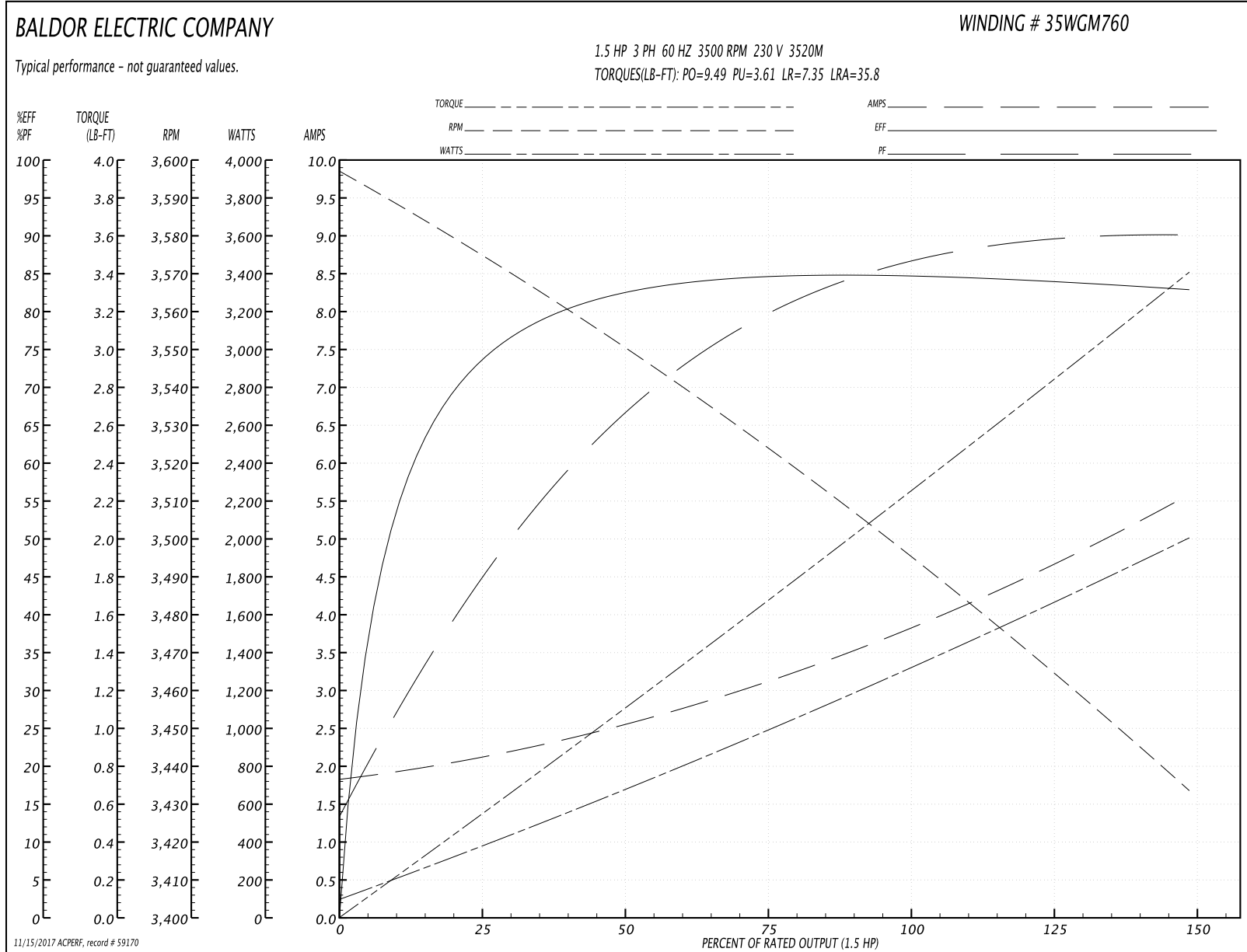
Winding: 35WGM760-R051	Type: 3520M	Enclosure: TEFC
-------------------------------	--------------------	------------------------

Nameplate Data				230 V, 60 Hz: Low Voltage Connection	
Rated Output (HP)	1.5			Full Load Torque	2.22 LB-FT
Volts	230/460			Start Configuration	direct on line
Full Load Amps	3.8/1.9			Breakdown Torque	9.49 LB-FT
R.P.M.	3500			Pull-up Torque	3.61 LB-FT
Hz	60	Phase	3	Locked-rotor Torque	7.35 LB-FT
NEMA Design Code	B	KVA Code	L	Starting Current	35.8 A
Service Factor (S.F.)	1.15			No-load Current	1.86 A
NEMA Nom. Eff.	84	Power Factor	85	Line-line Res. @ 25°C	3.04 Ω
Rating - Duty	40C AMB-CONT			Temp. Rise @ Rated Load	43°C
S.F. Amps				Temp. Rise @ S.F. Load	50°C
				Locked-rotor Power Factor	60.1
				Rotor inertia	0.0553 LB-FT ²

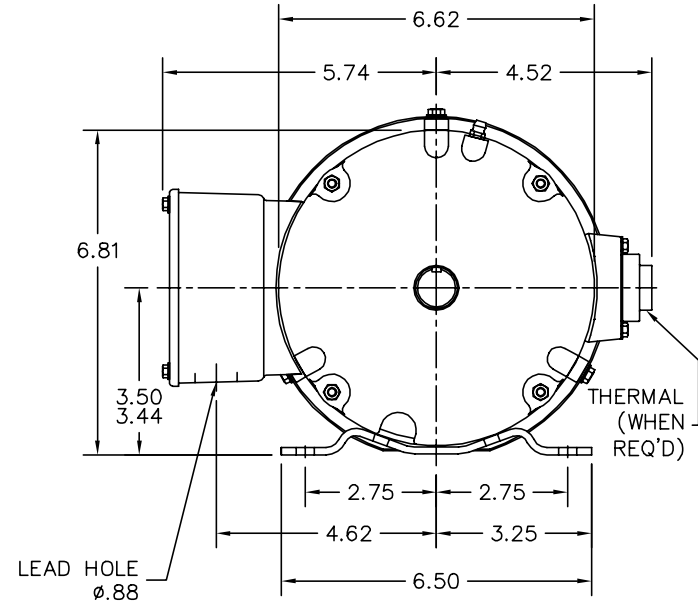
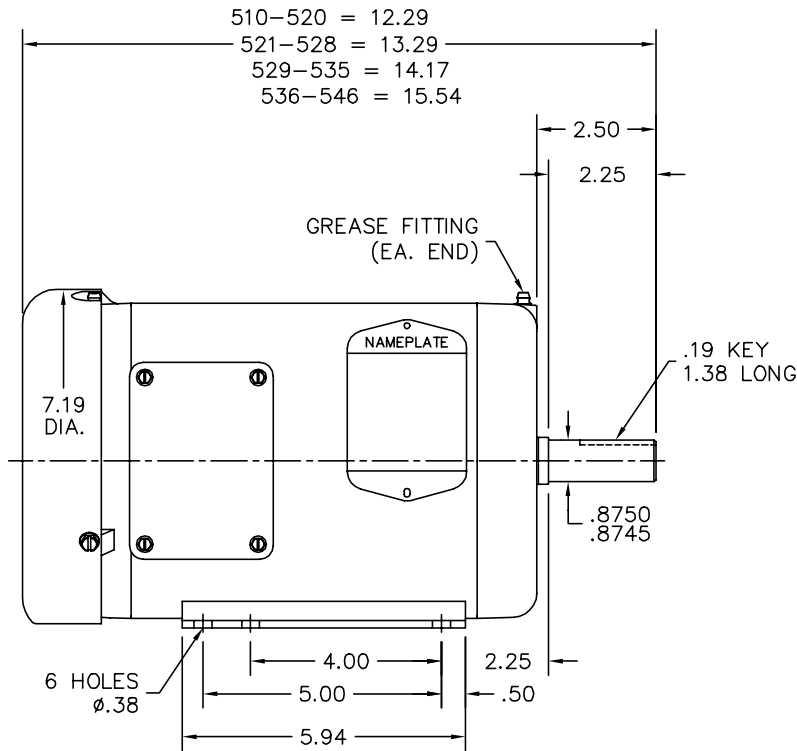
Load Characteristics 230 V, 60 Hz, 1.5 HP

% of Rated Load	25	50	75	100	125	150	S.F.
Power Factor	45	67	79	85	89	90	87
Efficiency	72.3	82.2	84.4	84.8	84.3	82.8	84.5
Speed	3575	3551	3526	3498	3466	3433	3479
Line amperes	2.06	2.5	3.1	3.82	4.62	5.58	4.3

Performance Graph at 230V, 60Hz, 1.5HP Typical performance - Not guaranteed values



35LYT638



CUSTOMER IS RESPONSIBLE FOR DETERMINING THAT BALDOR'S PRODUCT WILL PERFORM SUITABLY IN THE INTENDED APPLICATION.

REV. DESC: UPDATE FREP AND FAN HOUSING (SEE ZTR02 NOTES)

REV. LTR: C VERSION: 03 TDR: 000000580046

FILE: \AAA\00106\650 REVISED: 08:51:08 02/11/2011

MTL: - BY: ENBENBO

BALDOR

HOR 143-5T TEFC 35M 2 POLE "W" BASE (35BA4009)

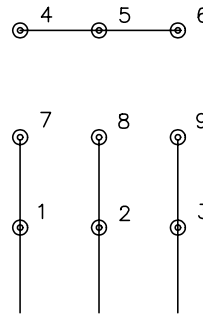
SH 1 of 1

35LYT638

CD0005

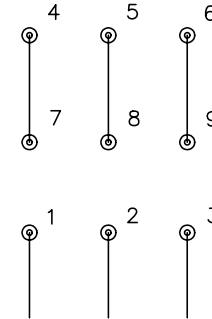


LOW VOLTAGE
(2Y)



LINE

HIGH VOLTAGE
(1Y)



LINE

NOTES:

1. INTERCHANGE ANY TWO LINE LEADS TO REVERSE ROTATION.
2. OPTIONAL THERMOSTATS ARE PROVIDED WHEN SPECIFIED.
3. ACTUAL NUMBER OF INTERNAL PARALLEL CIRCUITS MAY BE A MULTIPLE OF THOSE SHOWN ABOVE.
4. LEAD COLORS ARE OPTIONAL. LEADS MUST ALWAYS BE NUMBERED AS SHOWN.

REV. DESC: REVISE TO SHOW OPTIONAL COLORS

REV. LTR: E BY: JLP

REVISED: 01/19/99 10:15

TDR: 0171435

9000D

FILE: AAA00005140

MDL: -

MTL: -

BALDOR ELECTRIC Co.

3PH, DV, 9 LEADS

CD0005