

BALDOR® • RELIANCE

Product Information Packet

EM7034T-I

1.5//1HP,1760//1460 75CRISERPM,3PH,60//5

Part Detail							
Revision:	S	Status:	PRD/A	Change #:		Proprietary:	No
Type:	AC	Elec. Spec:	35WGM493	CD Diagram:	CD0005	Mfg Plant:	
Mech. Spec:	35X081	Layout:	35LYX081	Poles:	04	Created Date:	09-27-2010
Base:	RG	Eff. Date:	10-10-2017	Leads:	9#18		

Specs			
Catalog Number:	EM7034T-I	Front Face Code:	Standard
Enclosure:	XPFC	Front Shaft Indicator:	None
Frame:	145T	Heater Indicator:	No Heater
Frame Material:	Steel	Insulation Class:	F
Output @ Frequency:	1.500 HP @ 60 HZ	Inverter Code:	Not Inverter
	1.000 HP @ 50 HZ	KVA Code:	L
Synchronous Speed @ Frequency:	1500 RPM @ 50 HZ	Lifting Lugs:	No Lifting Lugs
Voltage @ Frequency:	230.0 V @ 60 HZ	Locked Bearing Indicator:	No Locked Bearing
	190.0 V @ 50 HZ	Motor Lead Quantity/Wire Size:	9 @ 18 AWG
	460.0 V @ 60 HZ	Motor Lead Exit:	Ko Box
	380.0 V @ 50 HZ	Motor Lead Termination:	Flying Leads
XP Class and Group:	CLI GP C,D	Motor Type:	3526M
XP Division:	Division I	Mounting Arrangement:	F1
Agency Approvals:	UR	Power Factor:	73
	UL	Product Family:	Hazardous Location Motor
	CSA EEV	Pulley End Bearing Type:	Ball
	CSA	Pulley Face Code:	Standard
Auxillary Box:	No Auxillary Box	Pulley Shaft Indicator:	Standard

Auxillary Box Lead Termination:	None	Rodent Screen:	None
Base Indicator:	Rigid	RoHS Status:	ROHS COMPLIANT
Bearing Grease Type:	Polyrex EM (-20F +300F)	Shaft Extension Location:	Pulley End
Blower:	None	Shaft Ground Indicator:	No Shaft Grounding
Current @ Voltage:	4.500 A @ 208.0 V	Shaft Rotation:	Reversible
	4.400 A @ 230.0 V	Shaft Slinger Indicator:	No Slinger
	3.800 A @ 190.0 V	Speed Code:	Single Speed
	2.200 A @ 460.0 V	Motor Standards:	NEMA
	1.900 A @ 380.0 V	Starting Method:	Direct on line
Design Code:	B	Thermal Device - Bearing:	None
Drip Cover:	No Drip Cover	Thermal Device - Winding:	Normally Closed Thermostat
Duty Rating:	CONT	Vibration Sensor Indicator:	No Vibration Sensor
Electrically Isolated Bearing:	Not Electrically Isolated	Winding Thermal 1:	None
Feedback Device:	NO FEEDBACK	Winding Thermal 2:	None
		XP Temp Code:	T3C

Nameplate NP0977XPSLEV										
NO.							CC	010A		
SER.							TEMP CODE	T3C		
SPEC.	35X081M493G1									
CAT.NO.	EM7034T-I									
HP	1.5//1									
VOLTS	230/460//190/380									
AMPS	4.4/2.2//3.8/1.9									
RPM	1760//1460 75CRISE						MOTOR WEIGHT	61		
HERTZ	60//50			PH	3	CL	F	DE BRG	6205	
SER.F.	1.15			DES	B	CODE	L	ODE BRG	6203	
FRAME	145T			GREASE	POLYREX EM					
RATING	40C AMB-CONT 55C AMB AT 1.0 SF									
USABLE AT 208V	4.5			NEMA-NOM-EFF	86.5			PF	73	
	NEMA MG-1 PT 5,IP55									

AC Induction Motor Performance Data

Record # 34480 - Typical performance - not guaranteed values

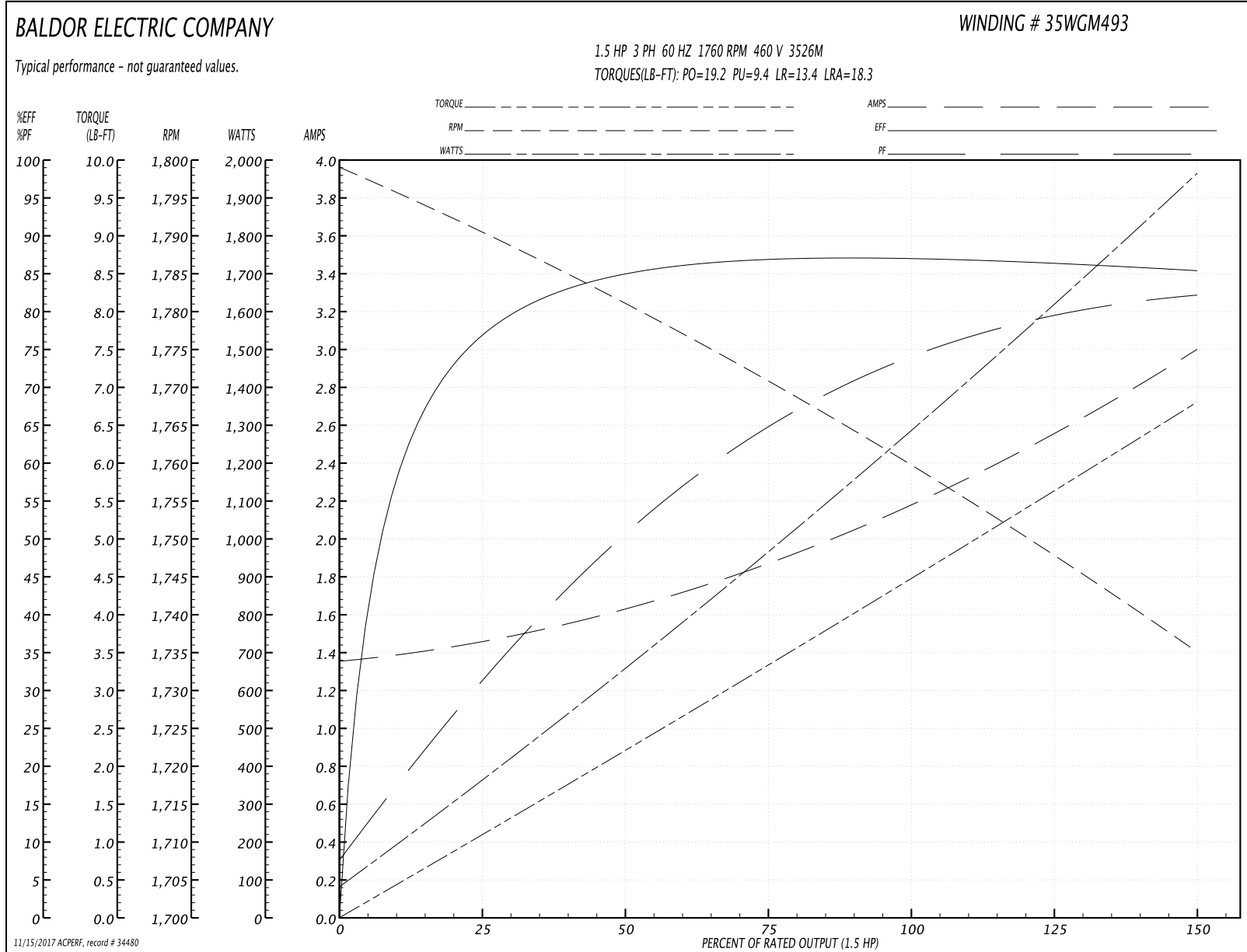
Winding: 35WGM493-R005	Type: 3526M	Enclosure: XPFC
-------------------------------	--------------------	------------------------

Nameplate Data				460 V, 60 Hz: High Voltage Connection	
Rated Output (HP)	1.5//1			Full Load Torque	4.47 LB-FT
Volts	230/460//190/380			Start Configuration	direct on line
Full Load Amps	4.4/2.2//3.8/1.9			Breakdown Torque	19.2 LB-FT
R.P.M.	1760//1460			Pull-up Torque	9.4 LB-FT
Hz	60//50	Phase	3	Locked-rotor Torque	13.4 LB-FT
NEMA Design Code	B	KVA Code	L	Starting Current	18.3 A
Service Factor (S.F.)	1.15			No-load Current	1.37 A
NEMA Nom. Eff.	86.5	Power Factor	73	Line-line Res. @ 25°C	10.7 Ω
Rating - Duty	40C AMB-CONT			Temp. Rise @ Rated Load	44°C
S.F. Amps				Temp. Rise @ S.F. Load	52°C
				Locked-rotor Power Factor	52
				Rotor inertia	0.154 LB-FT ²

Load Characteristics 460 V, 60 Hz, 1.5 HP

% of Rated Load	25	50	75	100	125	150	S.F.
Power Factor	31	51	65	73	79	83	77
Efficiency	76.2	84.5	86.9	87.2	86.5	85.3	86.8
Speed	1791	1781	1771	1760	1748	1735	1753
Line amperes	1.44	1.61	1.86	2.19	2.58	2.98	2.42

Performance Graph at 460V, 60Hz, 1.5HP Typical performance - Not guaranteed values



AC Induction Motor Performance Data

Record # 46474 - Typical performance - not guaranteed values

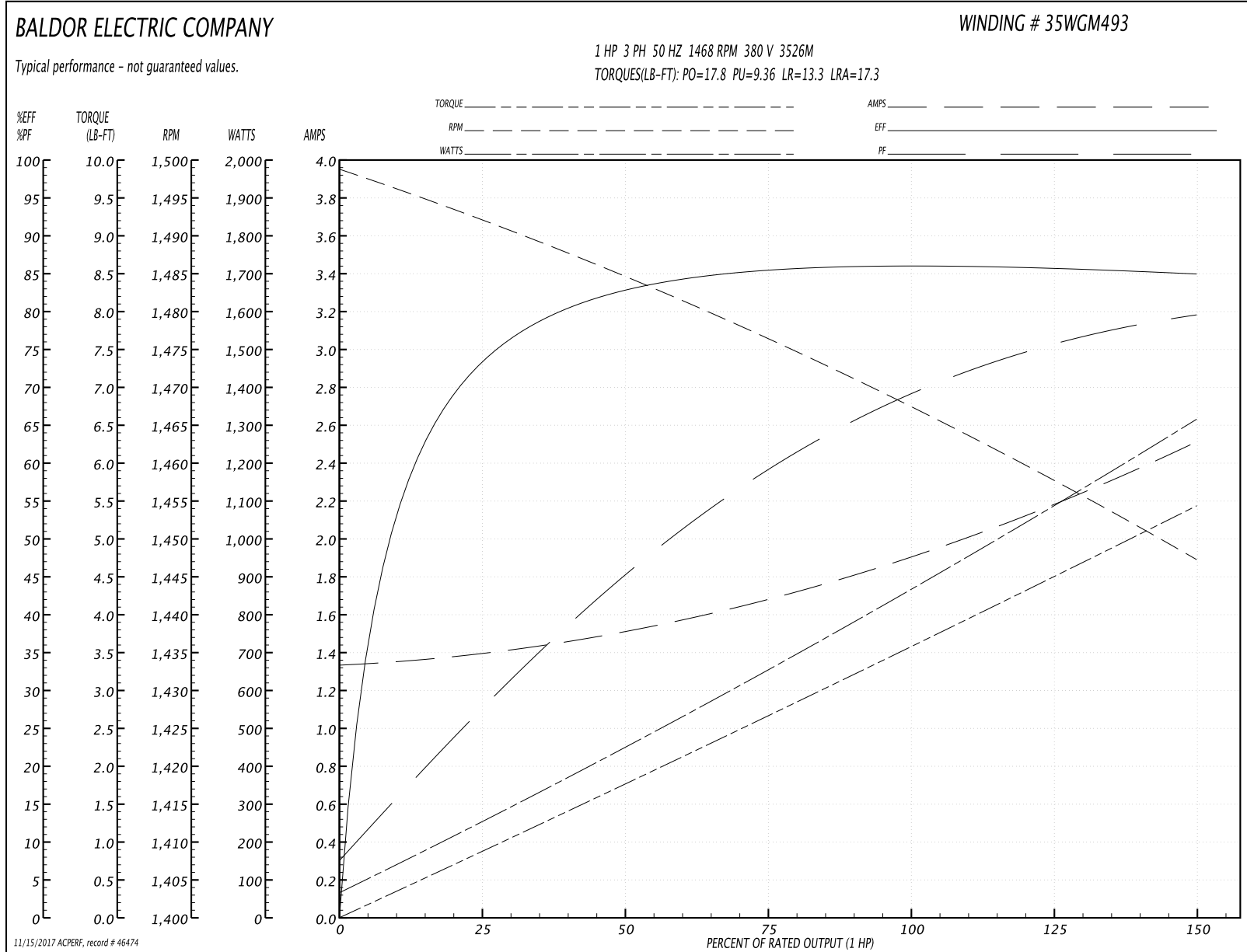
Winding: 35WGM493-R005	Type: 3526M	Enclosure: XPFC
-------------------------------	--------------------	------------------------

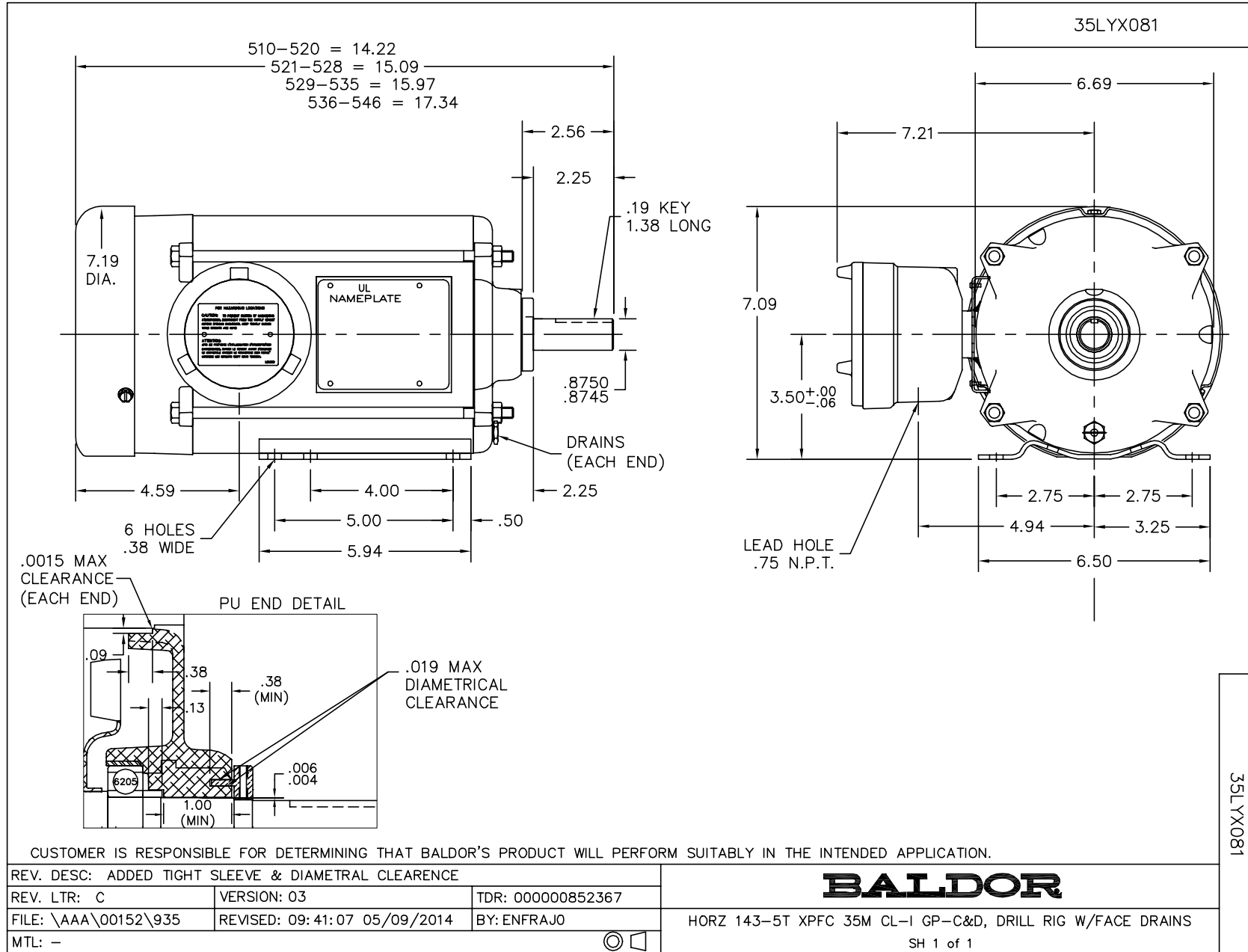
Nameplate Data				380 V, 50 Hz: High Voltage Connection	
Rated Output (HP)	1.5//1			Full Load Torque	3.57 LB-FT
Volts	230/460//190/380			Start Configuration	direct on line
Full Load Amps	4.4/2.2//3.8/1.9			Breakdown Torque	17.8 LB-FT
R.P.M.	1760//1460			Pull-up Torque	9.36 LB-FT
Hz	60//50	Phase	3	Locked-rotor Torque	13.3 LB-FT
NEMA Design Code	B	KVA Code	L	Starting Current	17.3 A
Service Factor (S.F.)	1.15			No-load Current	1.34 A
NEMA Nom. Eff.	86.5	Power Factor	73	Line-line Res. @ 25°C	10.1 Ω
Rating - Duty	40C AMB-CONT			Temp. Rise @ Rated Load	35°C
S.F. Amps				Temp. Rise @ S.F. Load	41°C
				Locked-rotor Power Factor	57
				Rotor inertia	0.154 LB-FT ²

Load Characteristics 380 V, 50 Hz, 1 HP

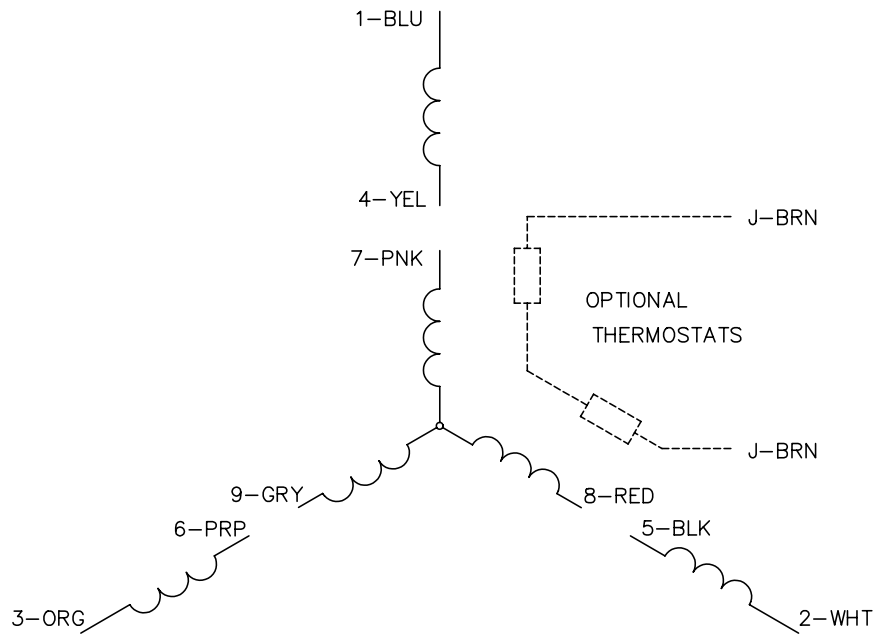
% of Rated Load	25	50	75	100	125	150	S.F.
Power Factor	27	45	59	69	75	80	73
Efficiency	72.8	82.3	85.4	86.2	85.9	84.9	86
Speed	1492	1485	1476	1468	1458	1447	1462
Line amperes	1.39	1.5	1.67	1.91	2.2	2.5	2.08

Performance Graph at 380V, 50Hz, 1.0HP Typical performance - Not guaranteed values

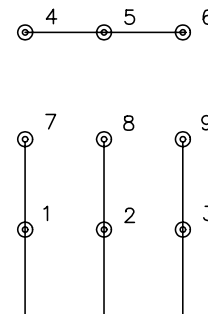




CD0005

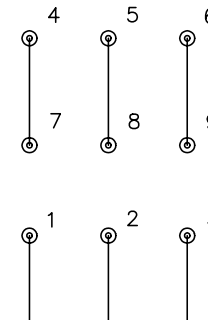


LOW VOLTAGE
(2Y)



LINE

HIGH VOLTAGE
(1Y)



LINE

NOTES:

1. INTERCHANGE ANY TWO LINE LEADS TO REVERSE ROTATION.
2. OPTIONAL THERMOSTATS ARE PROVIDED WHEN SPECIFIED.
3. ACTUAL NUMBER OF INTERNAL PARALLEL CIRCUITS MAY BE A MULTIPLE OF THOSE SHOWN ABOVE.
4. LEAD COLORS ARE OPTIONAL. LEADS MUST ALWAYS BE NUMBERED AS SHOWN.

REV. DESC: REVISE TO SHOW OPTIONAL COLORS			
REV. LTR: E	BY: JLP	REVISED: 01/19/99 10:15	TDR: 0171435
900003		FILE: AAA00005140	MDL: -
		MTL: -	

BALDOR ELECTRIC Co.

3PH, DV, 9 LEADS

CD0005