

BALDOR® • RELIANCE

Product Information Packet

OF4308T

40HP, 1125RPM, 3PH, 60HZ, 365T, 1466M, TEFC, F2

Part Detail							
Revision:	L	Status:	PRD/A	Change #:		Proprietary:	No
Type:	AC	Elec. Spec:	A36WG0754	CD Diagram:	416820-004	Mfg Plant:	
Mech. Spec:		Layout:	611740-501-SH1	Poles:	06	Created Date:	10-19-2010
Base:		Eff. Date:	06-08-2016	Leads:	6#8		

Specs			
Catalog Number:	OF4308T	Duty Rating:	CONT
Enclosure:	TEFC	Feedback Device:	NO FEEDBACK
Frame:	364T	Heater Indicator:	No Heater
Frame Material:	Iron	Insulation Class:	F
Output @ Frequency:	40.000 HP @ 60 HZ	Inverter Code:	Not Inverter
Synchronous Speed @ Frequency:	1200 RPM @ 60 HZ	KVA Code:	G
Voltage @ Frequency:	460.0 V @ 60 HZ	Lifting Lugs:	Standard Lifting Lugs
	796.0 V @ 60 HZ	Motor Lead Quantity/Wire Size:	6 @ 8 AWG
XP Class and Group:	None	Motor Type:	A36064M
XP Division:	Not Applicable	Mounting Arrangement:	F2
Agency Approvals:	CCSA US	Pulley End Bearing Type:	Ball
	CSA EEV	Pulley Face Code:	Standard
Auxillary Box:	No Auxillary Box	Shaft Ground Indicator:	No Shaft Grounding
Base Indicator:	Rigid	Shaft Rotation:	Reversible
Bearing Grease Type:	Polyrex EM (-20F +300F)	Shaft Slinger Indicator:	Shaft Slinger
Current @ Voltage:	28.000 A @ 796.0 V	Speed Code:	Single Speed
	48.600 A @ 460.0 V	Motor Standards:	NEMA
Design Code:	D	Starting Method:	Direct on line

Drip Cover:	No Drip Cover	Thermal Device - Bearing:	None
		Thermal Device - Winding:	None

Nameplate NP2531L			
CAT.NO.	OF4308T	SPEC NO.	P36G3407
HP	40	PHASE	3
RPM	1130	DESIGN	D
VOLTS	460/796	TYPE	P
AMPS	48.6/28	AMB	40
DRIVE END BEARING	65BC03J30X	SF	1.15
OPP D.E. BEARING	65BC03J30X	INSUL.CLASS	F
SER.NO.		ENCL	TEFC
		CODE	G
		NEMA-NOM-EFFICIENCY	89.5
		MOTOR WEIGHT	938
		FRAME	364T

REL. S.O.	FRAME	HP	TYPE	PHASE/HERTZ	RPM	VOLTS
	364T	40	P	3/60	1125	460/796
AMPS	DUTY	AMB °C/ INSUL.	S.F.	NEMA DESIGN	CODE LETTER	ENCL.
48.6/28	CONT	40/F	1.15	D	G	TEFC
E/S	ROTOR	TEST S.O.	TEST DATE	STATOR RES. @25 °C (BETWEEN LINES)		
892224	418141088AA	---	---	.170/.511		

PERFORMANCE						
LOAD	HP	AMPERES	RPM	POWER FACTOR %	EFFICIENCY %	
NO LOAD	0	7.5	1200	7.77	0	
1/4	10.0	9.7	1182	63.0	88.5	
2/4	20.0	14.3	1164	83.4	91.0	
3/4	30.0	20.4	1145	88.0	90.4	
4/4	40.0	28.3	1123	86.1	88.7	
5/4	50.0	37.7	1098	83.1	86.5	

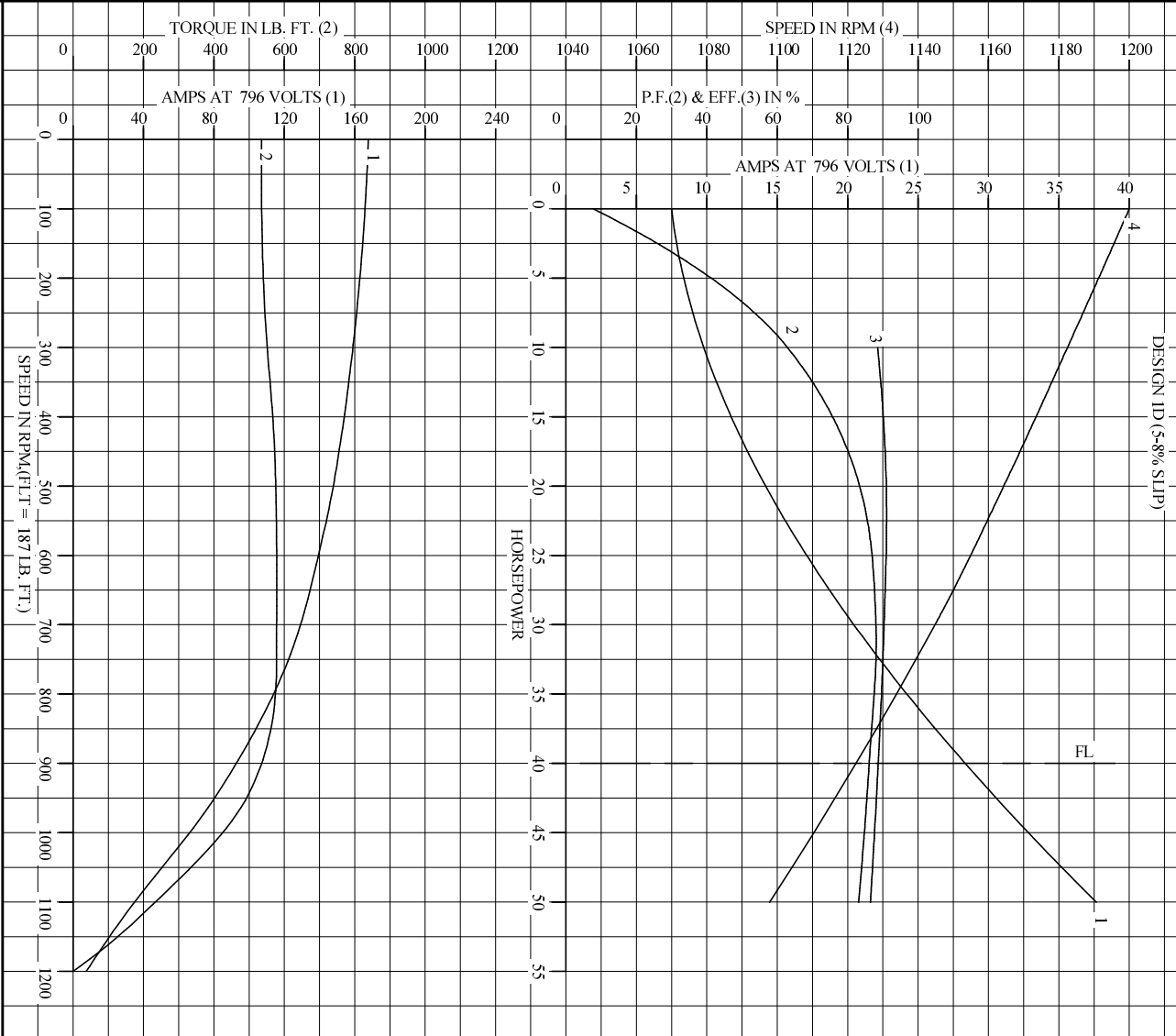
SPEED TORQUE						
	RPM	TORQUE % FULL LOAD	TORQUE LB.-FT.	AMPERES		
LOCKED ROTOR	0	286	535	168		
PULL UP	0	286	535	168		
BREAKDOWN	755	309	578	122		
FULL LOAD	1123	100	187	28.3		

AMPERES SHOWN FOR 796. VOLT CONNECTION. IF OTHER VOLTAGE CONNECTIONS ARE AVAILABLE, THE AMPERES WILL VARY INVERSELY WITH THE RATED VOLTAGE

REMARKS: TYPICAL DATA
DESIGN ID (5-8% SLIP)

BALDOR	DR. BY C.E. JAMISON	A-C MOTOR	
	CK. BY W.I. SMITH		PERFORMANCE
	APP. BY W.I. SMITH		DATA
DATE 06/15/10		ISSUE DATE 12/15/10	

REL. S.O. _____ RPM 1125 S.F. 1.15 ROTOR 418141088A
 FRAME 364T VOLTS 460/796 NEMA DESIGN D TEST S.O. TYPICAL DATA
 HP 40 AMPS 48.6/28 DUTY CONT CODE LETTER G TEST DATE ---
 TYPE P AMB °C/INSUL 40/F ENCLOSURE TEFC STATOR RES. @ 25 °C .170/.511
 PHASE/HERTZ 3/60 AMB °C/INSUL 40/F E/S 892224 OHMS (BETWEEN LINES)



AMPERES SHOWN FOR 796 VOLT CONNECTION, IF OTHER VOLTAGE CONNECTIONS ARE AVAILABLE, THE AMPERES WILL VARY INVERSELY WITH THE RATED VOLTAGE.

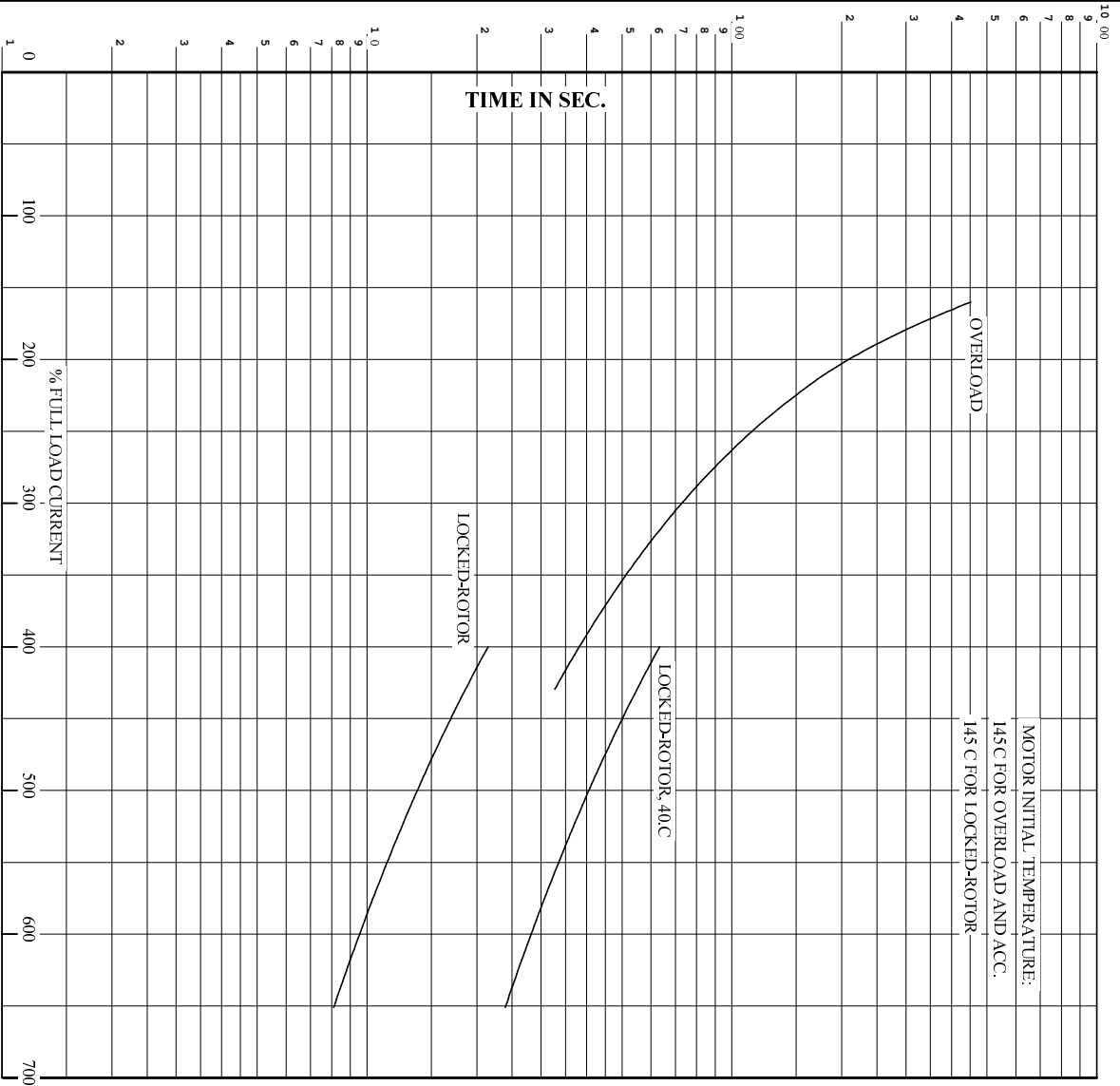


DR. BY CE. JAMISON
 CK. BY WL. SMITH
 App. BY WL. SMITH
 DATE 06/15/10

A-C MOTOR
PERFORMANCE
CURVES
 A36WG0754R001
 ISSUE DATE 12/15/10

Printed on 12/15/10 9:24 @ pscs-motoreng

RET. S.O. RPM 1125 S.F. 1.15 ROTOR 418141088AA
 FRAME 364T VOLTS 460/796 NEMA DESIGN D TEST S.O. TYPICAL DATA
 HP 40 AMPS 48.6/28 CODE LETTER G TEST DATE ---
 TYPE P DUTY CONT ENCLOSURE TEFC STATOR RES. @ 25 C. 170/.511
 PHASE/HERTZ 3/60 AMB C/INSUL 40/F E/S 892224 OHMS (BETWEEN LINES)



THERMAL LIMIT CURVE
 REMARKS: DESIGN ID (5-8% SLIP)

AMPERES SHOWN FOR 796 VOLT CONNECTION, IF OTHER VOLTAGE CONNECTIONS ARE AVAILABLE, THE AMPERES WILL VARY INVERSELY WITH THE RATED VOLTAGE.



DR. BY CE JAMISON
 CK. BY WL SMITH
 App. BY WL SMITH
 DATE 06/15/10

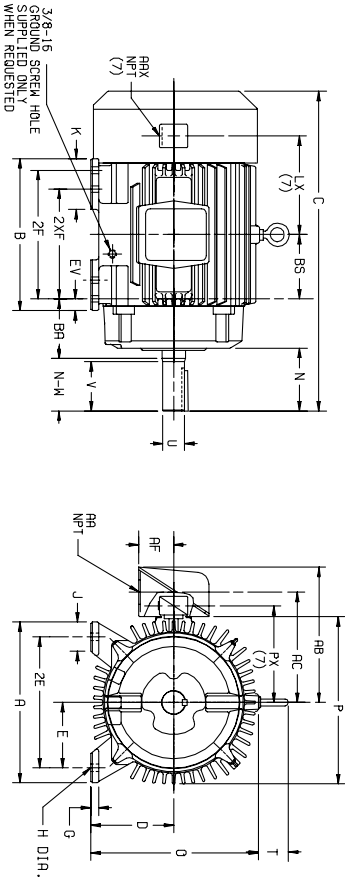
A-C MOTOR
PERFORMANCE
CURVES
 A36WG0754-R001
 ISSUE DATE 12/15/10

611740-501-SHI

DUTY MASTER ALTERNATING CURRENT MOTORS

ENCLOSURE: TOTALLY ENCLOSED
 SQUIPREL-CAGE INDUCTION
 CAST IRON CONSTRUCTION
 COOLING: FAN COOLED
 MOUNTING: FOOT

FRAMES 250T THRU 440T



DIMENSIONS ARE IN INCHES. SEE SHEET 2 FOR DIMENSIONS IN MILLIMETERS

FRAME	A	D(2)	E	G	H	J	K	O	P	T	CAST IRON TERMINAL BOX	AA	AB	AC	AE	AF	AX	LX (7)	PX (7)	BA	EV
254T-256T	12.50	6.25	5.00	.75	.56	2.50	---	13.25	13.25	2.44	1-1/4	10.81	8.81	2.50	3/4	6.31	9.31	4.25	1.00	1.00	1.00
284T-286T5	13.75	7.00	5.50	.75	.56	2.50	---	14.75	14.88	2.44	1-1/2	12.62	10.19	3.00	3/4	6.88	10.50	4.75	1.00	1.00	1.00
324T-326T5	15.50	8.00	6.25	.88	.69	2.75	4.50	16.69	17.00	2.44	2	15.44	11.69	3.62	3/4	8.00	10.50	5.25	1.38	1.38	1.38
364T-365T5	17.00	9.00	7.00	.88	.69	2.75	3.88	18.50	19.50	2.94	3	18.00	13.81	4.12	3/4	8.38	11.62	5.88	1.38	1.38	1.38
404T-405T5	19.00	10.00	8.00	1.12	.81	3.25	4.82	21.31	22.50	2.94	3	19.25	15.06	4.12	3/4	9.62	14.44	6.62	1.13	1.13	1.13
444T-445T5	21.00	11.00	9.00	1.12	.81	3.25	5.25	23.38	25.25	3.25	3	22.19	17.44	6.00	3/4	11.12	15.25	7.50	1.25	1.25	1.25

FRAME	C	BS	B	2F	(4)	N	N	SHAFT AND KEY	U(3)	V	SO.	LGTH.	WEIGHT
254T	24.56	5.00	12.00	---	8.25	4.12	4.00	1.625	3.75	3.75	2.88	3.35	335
284T	27.44	5.50	13.00	---	9.50	5.00	4.62	1.875	4.38	5.00	3.25	4.75	345
324T	27.44	5.50	13.00	---	9.50	5.00	3.62	1.625	3.00	3.75	1.88	4.75	475
364T	28.06	5.50	13.00	11.00	---	5.00	4.62	1.875	4.38	5.00	3.25	4.90	490
404T	30.44	6.00	14.75	---	10.50	5.62	5.25	2.125	5.00	5.00	3.88	5.90	590
444T	32.94	6.00	14.75	---	10.50	5.62	5.25	2.125	5.00	5.00	3.88	6.30	630
364T5	31.31	6.12	15.00	---	11.25	6.25	5.88	2.375	5.62	6.25	4.25	8.65	865
365T5	33.44	6.12	15.00	---	12.25	7.50	5.88	2.375	5.62	6.25	4.25	8.90	890
404T5	35.31	6.12	15.00	12.25	---	4.12	3.75	1.875	3.50	5.00	2.00	8.84	884
404T5	35.31	6.88	16.00	---	12.25	7.50	7.25	2.875	7.00	7.50	5.62	12.20	1220
405T5	35.31	6.88	16.00	---	12.25	7.50	7.25	2.875	7.00	7.50	5.62	12.11	1211
444T5	44.62	8.25	19.00	---	14.50	8.94	8.50	3.375	8.25	8.75	6.88	16.70	1670
444T5	44.62	8.25	19.00	---	14.50	8.94	8.50	3.375	8.25	8.75	6.88	16.54	1654
445T5	44.62	8.25	19.00	16.50	---	8.50	8.50	3.375	8.25	8.75	6.88	18.60	1860
445T5	40.88	8.25	19.00	16.50	---	5.19	4.75	2.375	4.50	6.25	3.00	18.44	1844

- (1) SPECIAL DIMENSIONS APPLYING TO THIS ORDER ON THIS LINE.
- (2) "C" VARIES $\begin{cases} 250T - 320T +1.00, -.03, \\ 360T - 440T +1.00, -.06, \\ HP TO 1.625 \text{ DIA.} +.0000, -.0005 \end{cases}$
- (3) "N" VARIES $\begin{cases} 1.625 \text{ AND LARGER} +.000, -.001, \\ HP TO 1.625 \text{ DIA.} +.0000, -.0005 \end{cases}$
- (4) ALL FRAMES HAVE EIGHT MOUNTING HOLES FOR DUAL MOUNTING.
- (5) MOTOR WEIGHTS MAY VARY BY 15% DEPENDING UPON RATING.
- (6) "N-W" VARIES $+ .00, -.25$.
- (7) AUXILIARY CONDUIT BOX SUPPLIED WHEN SPECIFIED CONDUIT BOXES LOCATED ON OPPOSITE SIDE WHEN F-2W-1, W-4-W-5-W-7, OR C-1 MOUNTING IS SPECIFIED.

FRAME _____ TYPE _____ CERTIFIED FOR _____ RPM _____ PH _____ HZ _____ VOLTS _____
 ORDER # _____ ITEM # _____ HP _____ APPROVED BY _____ DATE _____
 SALES ORDER # _____

BALDOR • DODGE • RELIANCE

DIM SHT 250T-440T TEFC FT MTG STD T & TS SGL EXT XT

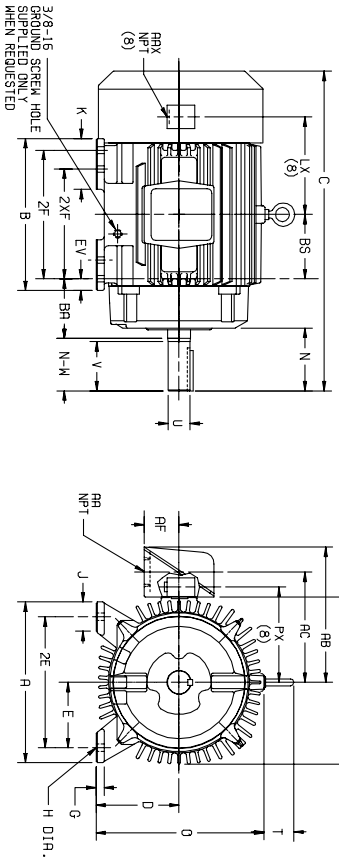
CUSTOMER IS RESPONSIBLE FOR DETERMINING THAT MOTOR PERFORMANCE IS SUITABLE IN THE APPLICATION.

REV. LTR: A	VERSION: 01	TDR: 000000448517
FILE: \RAC\00004\525	REVISED: 14:06:59 11/07/2007	BY: CONBPM
MPL: -		

DUTY MASTER ALTERNATING CURRENT MOTORS

ENCLOSURE: TOTALLY ENCLOSED
 SQUIRREL-CAGE INDUCTION
 CAST IRON CONSTRUCTION
 MOUNTING: FOOT
 FRAMES 250T THRU 440T
 COOLING: FAN COOLED

611740-501-SH2



DIMENSIONS ARE IN MILLIMETERS. SEE SHEET 1 FOR DIMENSIONS IN INCHES.

FRAME	A	D(C)	E	G	H	J	K	O	P	T	CAST IRON TERMINAL BOX			(8) AUX. CONDUIT BOX					
											AA(7)	AB	AC	AF	AA(7)	AX(8)	EX(8)	BA	EV
254T-256T	317.5	158.8	127.0	19.0	14.2	63.5	--	336.5	336.5	62.0	1-1/4	27.6	22.3	63.5	3/4	160.3	236.5	108.0	25.4
284T-286T	349.2	177.8	139.7	19.0	14.2	63.5	--	374.6	378.0	62.0	1-1/2	320.5	258.8	76.2	3/4	174.8	266.7	120.7	25.4
324T-326T	393.7	203.2	158.8	22.4	17.5	69.9	14.3	423.9	431.8	62.0	2	392.2	296.9	91.9	3/4	203.2	266.7	133.3	35.1
364T-366T	431.8	228.6	177.8	22.4	17.5	69.9	14.3	469.9	495.3	74.7	3	457.2	350.8	104.6	3/4	212.9	295.1	149.4	35.1
404T-406T	482.6	254.0	203.2	28.4	20.6	82.5	17.3	541.3	571.5	74.7	3	488.9	382.5	104.6	3/4	244.3	366.8	188.1	28.7
444T-446T	533.4	279.4	228.6	28.4	20.6	82.5	13.3	593.9	641.3	82.5	3	563.6	443.0	152.4	3/4	282.4	387.3	190.5	31.7

FRAME	SIZE	C	BS	B	2F	(4) 2XF	N	(6) N-W	U(3)	V	SQ.	LGTH.	WGHT
													(3)
254T	62.3	127.0	304.8	254.0	209.6	104.6	101.6	41.27	95.3	9.52	73.2	151	
256T	62.3	127.0	304.8	254.0	209.6	104.6	101.6	41.27	95.3	9.52	73.2	156	
284T	69.0	139.7	330.2	284.0	241.3	127.0	117.3	47.63	111.3	9.52	82.5	215	
286T	69.0	139.7	330.2	284.0	241.3	127.0	117.3	47.63	111.3	9.52	82.5	222	
324T	77.3	152.4	374.6	324.0	266.7	142.7	133.3	53.97	127.0	12.70	98.6	287	
326T	77.3	152.4	374.6	324.0	266.7	142.7	133.3	53.97	127.0	12.70	98.6	285	
364T	94.9	155.4	381.0	364.0	285.7	138.8	149.4	60.33	142.7	15.88	108.0	392	
366T	94.9	155.4	381.0	364.0	285.7	138.8	149.4	60.33	142.7	15.88	108.0	389	
365T	94.9	155.4	381.0	364.0	285.7	138.8	149.4	60.33	142.7	15.88	108.0	403	
365T	94.9	155.4	381.0	364.0	285.7	138.8	149.4	60.33	142.7	15.88	108.0	403	
404T	97.3	174.8	406.4	404.0	311.1	104.6	95.3	47.63	86.9	12.70	50.8	549	
406T	97.3	174.8	406.4	404.0	311.1	104.6	95.3	47.63	86.9	12.70	50.8	543	
404T	97.3	174.8	406.4	404.0	311.1	104.6	95.3	47.63	86.9	12.70	50.8	549	
406T	97.3	174.8	406.4	404.0	311.1	104.6	95.3	47.63	86.9	12.70	50.8	543	
405T	99.9	174.8	406.4	405.4	349.2	190.5	184.1	53.97	101.6	12.70	69.9	571	
405T	99.9	174.8	406.4	405.4	349.2	190.5	184.1	53.97	101.6	12.70	69.9	567	
444T	113.3	209.6	482.6	444.0	368.3	227.1	215.9	85.72	209.6	22.22	174.8	757	
446T	113.3	209.6	482.6	444.0	368.3	227.1	215.9	85.72	209.6	22.22	174.8	750	
445T	113.3	209.6	482.6	444.0	368.3	227.1	215.9	85.72	209.6	22.22	174.8	843	
445T	113.3	209.6	482.6	444.0	368.3	227.1	215.9	85.72	209.6	22.22	174.8	843	
445T	113.3	209.6	482.6	444.0	368.3	227.1	215.9	85.72	209.6	22.22	174.8	843	

- (1) SPECIAL DIMENSIONS APPLYING TO THIS ORDER ON THIS LINE.
- (2) "D" VARIES — 250T - 320T + 0, -8.
 360T - 440T + 0, -1.5.
- (3) "U" VARIES — UP TO 41.27 DIA. + 0.00, -0.13
 41.27 AND LARGER + 0.0, -0.3.
- (4) ALL FRAMES HAVE EIGHT MOUNTING HOLES FOR DUAL MOUNTING.
- (5) MOTOR WEIGHTS MAY VARY BY 15% DEPENDING UPON RATING.
- (6) "N," "W" VARIES + 0, -6.4.
- (7) DIMENSIONS ARE IN INCHES.
- (8) AUXILIARY CONDUIT BOX SUPPLIED WHEN SPECIFIED.
 CONDUIT BOXES LOCATED ON OPPOSITE SIDE WHEN F-2-W-1,
 W-4-W-5-W-7, OR C-1 MOUNTING IS SPECIFIED.
- (9) IF MOUNTING CLEARANCE DETAILS ARE REQUIRED, CONSULT FACTORY.

FRAME _____ TYPE _____ CERTIFIED FOR _____ RPM _____ PH _____ HZ _____ DATE _____ VOLTS _____
 ORDER _____ ITEM _____ HP _____ APPROVED BY _____ SALES ORDER _____

ZHS-105-0971119



DIM SHT 250T-440T TEFC FT MTG STD T & TS SGL EXT XT

TDR: 000000448517
 BY: CONBPM

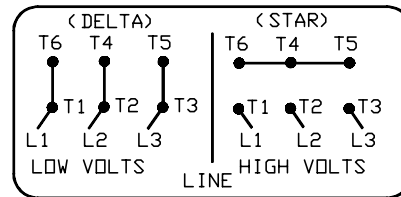
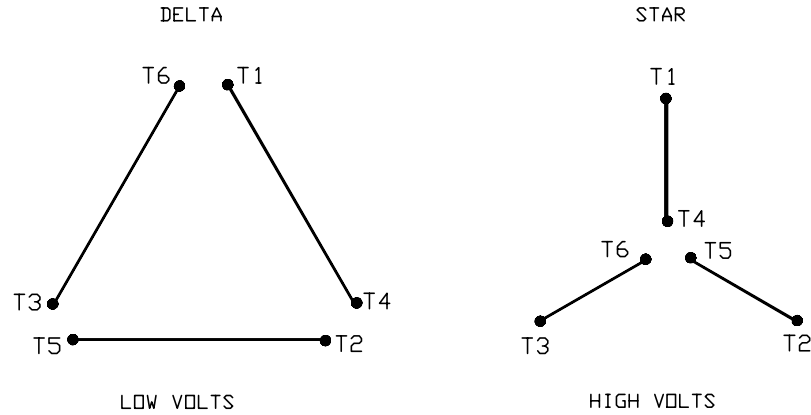
VERSION: 01
 REVISED: 14:09:46 11/07/2007

REV. DESC: REMOVING TITLEBLOCK
 FILE: \\RAC\00004\526
 MTL: -

CUSTOMER IS RESPONSIBLE FOR DETERMINING THAT MOTOR PERFORMANCE IS SUITABLE IN THE APPLICATION.

416820-004

A-C MOTOR
 CONNECTION DIAGRAM
 STANDARD 6 LEAD (DELTA/STAR CONNECTED)
 DUAL VOLTAGE (LOW VOLTS/HIGH VOLTS)



(N. P. 1767-CC)

416820-004

REV. DESC: FONT CHANGE FOR PDF SEARCHABLE		
REV. LTR: C	VERSION: 03	TDR: 000001009406
FILE: \RSN\00017\950	REVISED: 10:55:03 12/21/2016	BY: MGHMTT
MTL: -	Ⓢ □	

BALDOR

A-C MOTOR CONNECTION DIAGRAM
 SH 1 of 1