

# **BALDOR® • RELIANCE**

## **Product Information Packet**

# **EL1405T**

**2HP,1740RPM,1PH,60HZ,182T,3623LC,OPSB,F1**

Part Detail							
Revision:	AJ	Status:	PRD/A	Change #:		Proprietary:	No
Type:	AC	Elec. Spec:	36WGY526	CD Diagram:	CD0055	Mfg Plant:	
Mech. Spec:	36G967	Layout:	36LYG967	Poles:	04	Created Date:	
Base:	RG	Eff. Date:	04-07-2016	Leads:	6#16		

Specs			
Catalog Number:	EL1405T	Insulation Class:	F
Enclosure:	OPSB	Inverter Code:	Not Inverter
Frame:	182T	KVA Code:	J
Frame Material:	Steel	Lifting Lugs:	No Lifting Lugs
Output @ Frequency:	2.000 HP @ 60 HZ	Locked Bearing Indicator:	No Locked Bearing
Synchronous Speed @ Frequency:	1800 RPM @ 60 HZ	Motor Lead Quantity/Wire Size:	6 @ 16 AWG
Voltage @ Frequency:	230.0 V @ 60 HZ	Motor Lead Exit:	Ko Box
	115.0 V @ 60 HZ	Motor Lead Termination:	Flying Leads
XP Class and Group:	None	Motor Type:	3623LC
XP Division:	Not Applicable	Mounting Arrangement:	F1
Agency Approvals:	CSA	Power Factor:	90
	CSA EEV	Product Family:	General Purpose
	UR	Pulley End Bearing Type:	Ball
Auxillary Box:	No Auxillary Box	Pulley Face Code:	Standard
Auxillary Box Lead Termination:	None	Pulley Shaft Indicator:	Standard
Base Indicator:	Rigid	Rodent Screen:	None
Bearing Grease Type:	Polyrex EM (-20F +300F)	Shaft Extension Location:	Pulley End
Blower:	None	Shaft Ground Indicator:	No Shaft Grounding

<b>Current @ Voltage:</b>	17.600 A @ 115.0 V	<b>Shaft Rotation:</b>	Reversible
	8.800 A @ 230.0 V	<b>Shaft Slinger Indicator:</b>	No Slinger
<b>Design Code:</b>	L	<b>Speed Code:</b>	Single Speed
<b>Drip Cover:</b>	No Drip Cover	<b>Motor Standards:</b>	NEMA
<b>Duty Rating:</b>	CONT	<b>Starting Method:</b>	Direct on line
<b>Electrically Isolated Bearing:</b>	Not Electrically Isolated	<b>Thermal Device - Bearing:</b>	None
<b>Feedback Device:</b>	NO FEEDBACK	<b>Thermal Device - Winding:</b>	None
<b>Front Face Code:</b>	Standard	<b>Vibration Sensor Indicator:</b>	No Vibration Sensor
<b>Front Shaft Indicator:</b>	None	<b>Winding Thermal 1:</b>	None
<b>Heater Indicator:</b>	No Heater	<b>Winding Thermal 2:</b>	None

Nameplate NP2116L	
CAT.NO.	EL1405T
SPEC.	36G967Y526G1
HP	2
VOLTS	115/230
AMP	17.6/8.8
RPM	1740
FRAME	182T
	HZ 60
	PH 1
SER.F.	1.15
	CODE J
	DES L
	CL F
NEMA-NOM-EFF	82.5
	PF 90
RATING	40C AMB-CONT
CC	USABLE AT 208V
DE	6206
	ODE 6205
ENCL	OPSB
	SN
	SFA 20.4/10.2

**AC Induction Motor Performance Data**

Record # 11390 - Typical performance - not guaranteed values

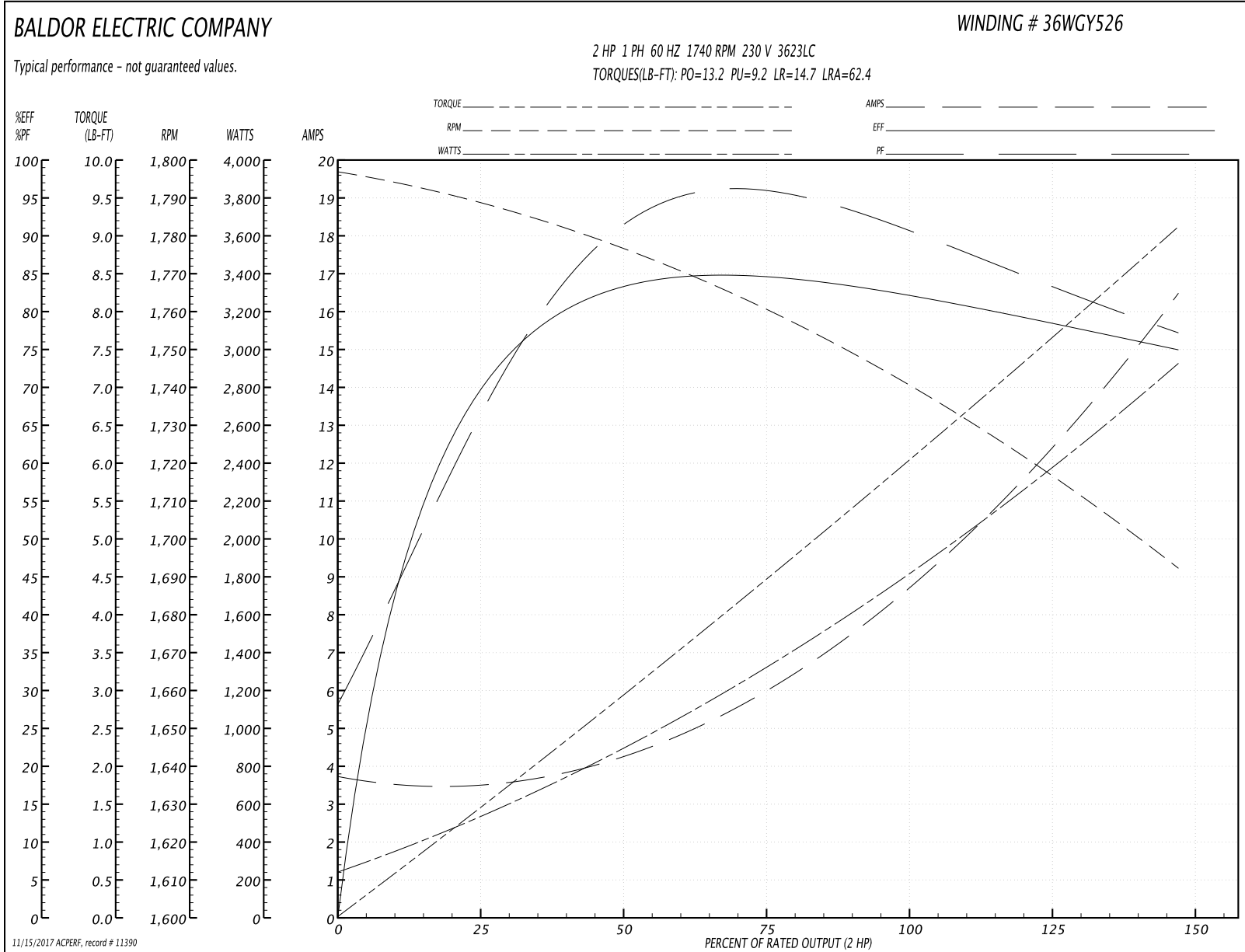
<b>Winding:</b> 36WGY526-R001	<b>Type:</b> 3623LC	<b>Enclosure:</b> OPSB
-------------------------------	---------------------	------------------------

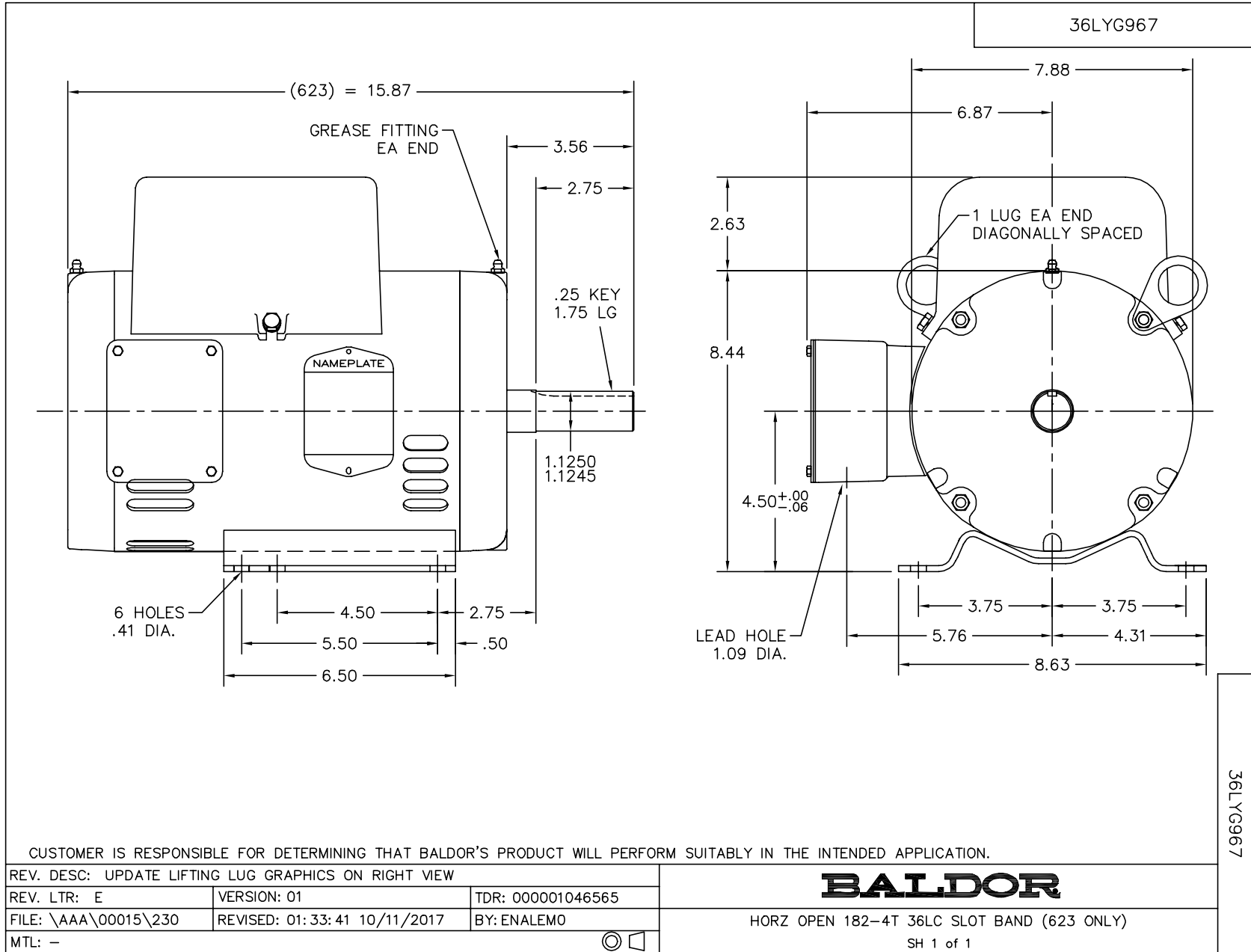
Nameplate Data				230 V, 60 Hz: High Voltage Connection	
Rated Output (HP)	2			Full Load Torque	6.1 LB-FT
Volts	115/230			Start Configuration	direct on line
Full Load Amps	17.6/8.8			Breakdown Torque	13.2 LB-FT
R.P.M.	1740			Pull-up Torque	9.2 LB-FT
Hz	60	Phase	1	Locked-rotor Torque	14.7 LB-FT
NEMA Design Code	L	KVA Code	J	Starting Current	62.4 A
Service Factor (S.F.)	1.15			No-load Current	3.5 A
NEMA Nom. Eff.	82.5	Power Factor	90	Line-line Res. @ 25°C	1.27 Ω A Ph 0.65 Ω B Ph
Rating - Duty	40C AMB-CONT			Temp. Rise @ Rated Load	48°C
S.F. Amps	20.4/10.2			Temp. Rise @ S.F. Load	62°C

Load Characteristics 230 V, 60 Hz, 2 HP

% of Rated Load	25	50	75	100	125	150	S.F.
Power Factor	72	85	90	92	92	91	92
Efficiency	70.9	81.6	83.9	82.6	79.6	74.3	80.8
Speed	1787	1773	1758	1742	1722	1688	1730
Line amperes	3.46	4.83	6.61	8.6	11.08	17.38	10.1

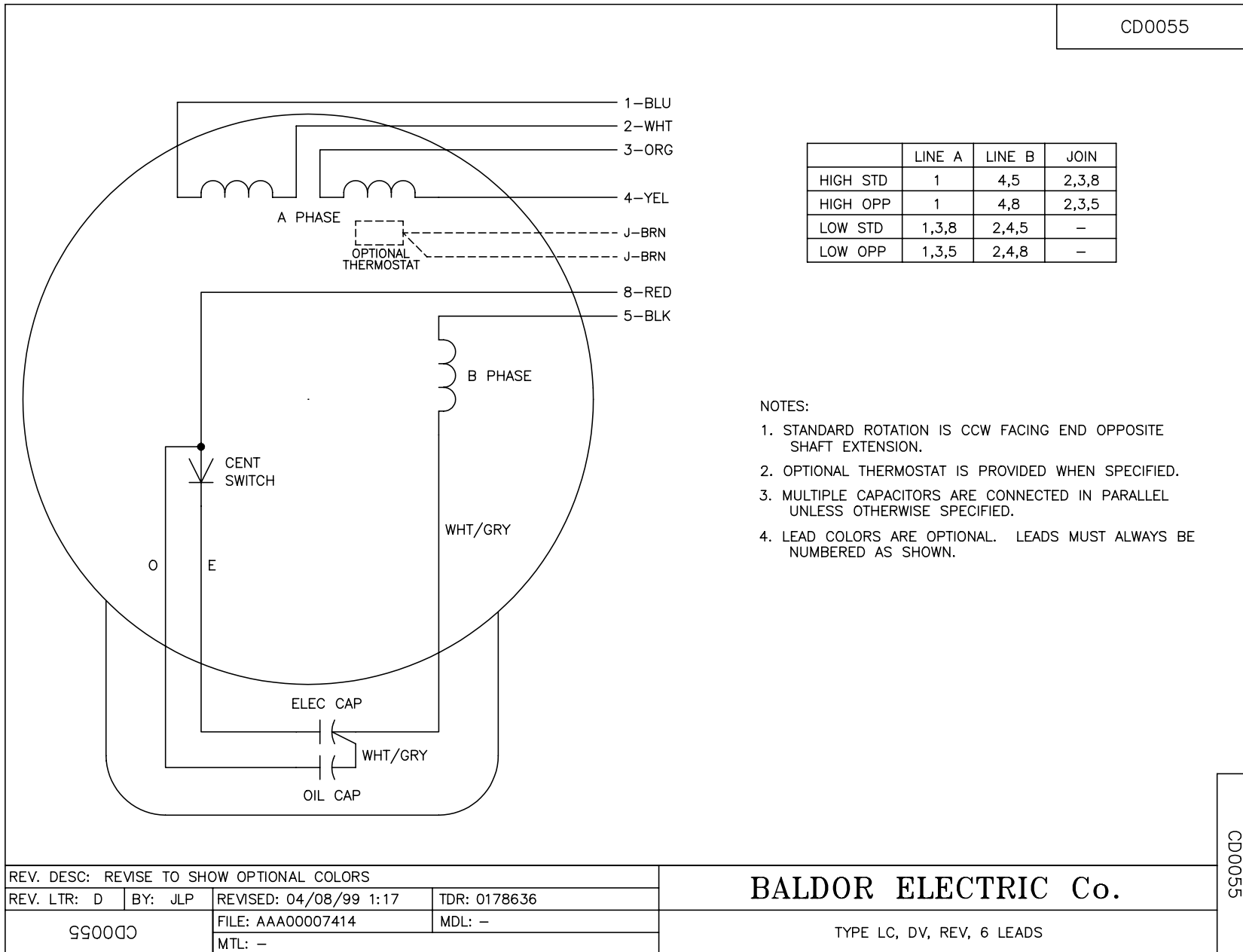
Performance Graph at 230V, 60Hz, 2.0HP Typical performance - Not guaranteed values





36LYG967

CD0055



NOTES:

1. STANDARD ROTATION IS CCW FACING END OPPOSITE SHAFT EXTENSION.
2. OPTIONAL THERMOSTAT IS PROVIDED WHEN SPECIFIED.
3. MULTIPLE CAPACITORS ARE CONNECTED IN PARALLEL UNLESS OTHERWISE SPECIFIED.
4. LEAD COLORS ARE OPTIONAL. LEADS MUST ALWAYS BE NUMBERED AS SHOWN.

REV. DESC: REVISE TO SHOW OPTIONAL COLORS			
REV. LTR: D	BY: JLP	REVISED: 04/08/99 1:17	TDR: 0178636
990000		FILE: AAA00007414	MDL: -
		MTL: -	

**BALDOR ELECTRIC Co.**

TYPE LC, DV, REV, 6 LEADS

CD0055