

C-Face Kits for Field Conversion – NEMA AC Motors



Features: Complete kits with all hardware necessary for converting Baldor 56 through 449T frame rigid base motors to “C-Face” mounting with base. For Baldor conversion, refer to the Mod Express section in this catalog. Please furnish the motor specification number when ordering. NEMA “BA” dimension will be non-standard after conversion on NEMA 143-5T, 182-4T, 213-5T and 254-6T frame motors.

Catalog Number	Description Frame (Baldor Type)	Enclosure	Bearing	List Price	Mult. Sym.	Ap'x. Shpg. Wgt.
34-3900T	48C (34)	TEFC	6203	60	A8	1
34-171	56C (34)	TEFC	6203	60	A8	2
34-3300FD	56C (34) W/Lip Seal	TEFC	6203	69	A8	2
34-3903A	143-5TC (34)	ODP	6205	73	A8	2
34-3903A-GLD	143-5TC (34)	ODP	6205	73	A8	2
34-3903T	143-5TC (34)	TEFC	6205	76	A8	2
34-3903T-GLD	143-5TC (34)	TEFC	6205	76	A8	2
35-8762	56C,143-5TC (35)	TEFC	6205	70	A8	3
35-8762GLD	56C,143-5TC (35)	TEFC	6205	70	A8	3
35-8764	56C,143-5TC (35)	ODP	6205	77	A8	3
35-8764GLD	56C,143-5TC (35)	ODP	6205	77	A8	3
35-3304	182-4TC (35)	TEFC	6206	85	A8	4
35-1300	56C,143-5TC (35)	TEFC	6205	120	A8	6
35-1300GLD	56C,143-5TC (35)	TEFC	6205	120	A8	6
35-3300FD	56C, 143-5TC (35) W/Lip Seal	TEFC	6205	138	A8	6
35-1325	182-4TC (35)	TEFC	6206	154	A8	11
35-1325GLD	182-4TC (35)	TEFC	6206	154	A8	11
35-1409	182-4TC (35)	ODP	6206	172	A8	11
35-1409GLD	182-4TC (35)	ODP	6206	172	A8	11
36-1037	182-4C (36)	TEFC	6206	137	A8	8
36-1037GLD	182-4C (36)	TEFC	6206	137	A8	7
36-3303FD	182-4C (36) W/Lip Seal	TEFC	6206	158	A8	8
36-3303FDA	182-4C (36) W/Lip Seal & Eyebolt Provision	TEFC	6206	158	A8	8
36-1206A	213-5TC (36)	OPSB	6207	176	A8	13
36-1206A-GLD	213-5TC (36)	OPSB	6207	176	A8	13
36-1206B	213-5TC (36)	ODP	6207	186	A8	14
36-1206B-GLD	213-5TC (36)	ODP	6207	186	A8	14
36-486	182-4C (36)	ODP	6206	194	A8	8
36-486GLD	182-4C (36)	ODP	6206	194	A8	8
36-3301	182-4TC (36)	TEFC	6206	99	A8	5
36-3301GLD	182-4TC (36)	TEFC	6206	99	A8	5
36-3403	182-4TC (36)	ODP	6206	116	A8	5
36-3403GLD	182-4TC (36)	ODP	6206	116	A8	5
36-1749	182-4TC (36)	TEFC	6206	173	A8	12
36-3301FD	182-4TC (36) W/Lip Seal	TEFC	6206	198	A8	12
36-3301FDA	182-4TC (36) W/Lip Seal & Eyebolt Provision	TEFC	6206	198	A8	12
36-1749GLD	182-4TC (36)	TEFC	6206	173	A8	12
37-1404	213-5C, TC (37)	ODP	6307	254	A8	14
37-1404GLD	213-5C, TC (37)	ODP	6307	254	A8	14
37-1304	213-5C, TC (37)	TEFC	6307	192	A8	12
37-1304GLD	213-5C, TC (37)	TEFC	6307	192	A8	12
37-3301FD	213-5C, TC (37) W/ Lip Seal	TEFC	6307	221	A8	12
37-1402	254-6UC, TC (37)	ODP	6309	274	A8	18
37-1402GLD	254-6UC, TC (37)	ODP	6309	274	A8	18
37-1302	254-6UC, TC (37)	TEFC	6309	292	A8	18
37-1302GLD	254-6UC, TC (37)	TEFC	6309	292	A8	18

NOTE: Specification number of motor should be verified when ordering.
Kits that have catalog numbers ending in “GLD” are for use on Super-E® gold motors.

	Catalog Number	Description Frame (Baldor Type)	Enclosure	Bearing	List Price	Mult. Sym.	Ap'x. Shpg. Wgt.
Definite Purpose Motors	09-1309	254-6UC, TC (09) ●	TEFC	6309	394	A8	22
	09-1309GLD	254-6UC, TC (09) ●	TEFC	6309	394	A8	22
Unit Handling Motors	09-1310	284-6UC, TC (09) ●	TEFC	6311	596	A8	22
	09-1310GLD	284-6UC, TC (09) ●	TEFC	6311	596	A8	22
	39-3400	254-6UC, TC (39)	ODP	6309	256	A8	19
	39-1403	284-6UC, TC (39)	ODP	6311	411	A8	21
Brake Motors	39-1403GLD	284-6UC, TC (39)	ODP	6311	411	A8	21
	10-1304	324-6UC, TC (10) ●	TEFC	6312	483	A8	32
	10-1304GLD	324-6UC, TC (10) ●	TEFC	6312	483	A8	32
	10-1305	284-6UC, TC (10) ●	TEFC	6311	457	A8	32
	10-1305ECP8	284-6TC, IEEE-841 (10) ●	TEFC	6311	894	A8	32
	10-1305GLD	284-6UC, TC (10) ●	TEFC	6311	457	A8	32
	40-1400	284-6UC, TC (40)	ODP	6311	417	A8	30
	40-1400GLD	284-6UC, TC (40)	ODP	6311	417	A8	30
	40-1401	324-6 UC, TC (40) ●	ODP	6312	469	A8	40
	40-1401GLD	324-6 UC, TC (40) ●	ODP	6312	469	A8	40
IEC Frame Motors	12-1105	324-6UC, TC (12)	TEFC	6312	563	A8	48
	12-1105ECP8	324-6TC, IEEE-841 (12)	TEFC	6312	1,124	A8	48
	12-1105GLD	324-6UC, TC (12)	TEFC	6312	563	A8	48
	42-1300	324-6UC, TC (42) ●	ODP	6312	750	A8	36
	42-1300GLD	324-6UC, TC (42) ●	ODP	6312	750	A8	36
	K36G2	364-5UC, TC	TEFC	6313	730	A8	69
50 Hertz Motors	K36G801	364-5TC IEEE-841	TEFC	6313	1,298	A8	75
	42-1400	364-5UC, TC (42) ●	ODP	6313	730	A8	30
	42-1400GLD	364-5UC, TC (42) ●	ODP	6313	730	A8	30
	K40G2	404-5UC, TC E-Line Design	TEFC	6313	1,086	A8	69
Inverter/Vector Motors & Controls	K40G71	404-5UC, TC G Series Design	TEFC	6313	1,665	A8	75
	K40G802	404-5TC G Series design: IEEE-841 ●	ODP	6313	1,722	A8	30
	K40G70	404-5UC, TC G Series Design ●	ODP	6313	1,086	A8	30
	K40G801	404-5TC G Series design: IEEE-841 **	TEFC	6316	2,448	A8	113
	44-1402	404-5UC, TC (44) **	TEFC	6316 4 & 6 Pole	1,086	A8	120
	44-1402GLD	404-5UC, TC (44) **	TEFC	6316 4 & 6 Pole	1,086	A8	120
	44-1403	404-5UC, TSC (44) **	TEFC	6313 2 pole	1,086	A8	120
	44-1403GLD	404-5UC, TSC (44) **	TEFC	6313 2 pole	1,086	A8	120
	44-1403A	404-5USC, TSC (44)	ODP	6316	844	A8	40
	44-1403A-GLD	404-5USC, TSC (44)	ODP	6316	844	A8	40
DC Motors and Controls	K44G50	444-5UC, TC E-Line design	ODP	6313	844	A8	40
	K44G51	447-9UC, TC E-Line design	ODP	6313	844	A8	40
	K44G70	444-9UC, TC G Series design	OPEN	6312	1,665	A8	40
	K44G801	444-9UC, TC G Series design: IEEE-841	OPEN	6312	2,448	A8	40
	K44G71	444-9UC, TC G Series design *	TEFC	6318, 4 & 6 pole	1,765	A8	249
	K44G802	444-9UC, TC G Series design: IEEE-841 *	TEFC	6318, 4 & 6 pole	2,448	A8	251

NOTE: Specification number of motor should be verified when ordering.

Kits that have catalog numbers ending in "GLD" are for use on Super-E® gold motors.

● = Suitable only for field conversion of motors manufactured with external rabbets on the stator housings.

** = Usable on catalog motors that have footnote #56.

* = Contact a District Office with nameplate specification number to determine correct kit.

Definite Purpose Motors

Unit Handling Motors

Brake Motors

IEC Frame Motors

50 Hertz Motors

Inverter/Vector Motors & Controls

DC Motors and Controls

Gearmotors and Gear Products

Motor Accessories

Grinders

**C-Face Kits
for Field Conversion
NEMA DC SCR Drive Motor**

Features: For non-laminated frame DC motors with catalog numbers ending in "P".



Catalog Number	Frame	Bearing	Enclosure	List Price	Mult. Sym.	Ap'x Shpg. Wgt.
180-5002	180ATC	6206	Drip-Proof	903	P1	18
210-5001	210ATC	6207	Drip Proof or Totally Enclosed	1,193	P1	12
250-5001	250ATC	6209	Drip Proof of Totally Enclosed	1,668	P1	75
280-5002	280ATC	6210	Drip Proof	2343	P1	57
320-5002	320ATC	6211	Drip Proof	3,080	P1	87
400-5001	400ATC	6214	Drip Proof or Totally Enclosed	5,722	P1	173

**Double C-Face Motor
Brake Kits**

Coil Voltage: 115/208-230

Features: Double C-Face coupler brakes. Mounts on motors with C-Face, provides NEMA C-face mounting on brake. Spring set, electrically released.



Brake Rating	Brake Mounting	Catalog Number	List Price	Mult. Sym.	Ap'x. Shpg. Wgt.
3 ft-lb	56C	CBK003-1	670	A8	12
6 ft-lb	56C	CBK006-1	986	A8	12
6 ft-lb	145TC	CBK006-2	986	A8	12
10 ft-lb	145TC	CBK010-1	1,150	A8	12
15 ft-lb	145TC	CBK015-1	2,457	A8	12

Definite Purpose Motors

Unit Handling Motors

Brake Motors

IEC Frame Motors

50 Hertz Motors

Inverter/Vector Motors & Controls

DC Motors and Controls

Gearmotors and Gear Products

Motor Accessories

Grinders

Conduit Box Kits



Frame Size	Catalog Number	List Price	Mult. Sym.	Ap'x Shpg. Wgt. Lbs.
Conduit Box Kit – Standard Size				
42	33CB5000A01SP	40	P1	1
42	33CB5001A01SP	40	P1	1
48	34CB5001A01SP	39	P1	1
56 - 143-5T	35CB5001A01SP	42	P1	1
182T-4T	36CB5001A01SP	45	P1	1
182T-4T	36CB5001A06SP	50	P1	2
182T-4T	36CB5001A07SP	70	P1	2
213T-5T	37CB5002A06SP	50	P1	3
213T-5T	37CB5002A07SP	45	P1	4
184T,215T,254-6	09CB5001A01SP	82	P1	3
184T,215T,254-6	09CB5001A15SP	69	P1	3
254-6T,284-6,324-6	10CB5001A01SP	109	P1	6
254-6T,284-6,324-6	10CB5002A01SP	132	P1	4
360T - Cast Iron	K36G8	365	P1	22
400T - Cast Iron	K40G8	365	P1	35
440T - Cast Iron	K44G8	375	P1	55
Conduit Box Kit – Oversize				
360T - Cast Iron	K36G9	375	P1	25
400T - Cast Iron	K40G9	375	P1	30
440T - Cast Iron	K44G9	445	P1	135

Frame Size	Catalog Number	List Price	Mult. Sym.
Auxiliary Conduit Box Kits			
360	K36G16	375	P1
400	K40G3	375	P1
440	K44G5	752	P1

Definite Purpose Motors

Unit Handling Motors

Brake Motors

IEC Frame Motors

50 Hertz Motors

Inverter/Vector Motors & Controls

DC Motors and Controls

Gearmotors and Gear Products

Motor Accessories

Grinders

D-Flange Kits



Complete kit with hardware necessary for converting either Foot Mount or C-Face 143T thru 326T motors to D-Flange mounting. Please note that using these kits to modify the 143T thru 184T foot mounted motors will result in a non-standard NEMA BA dimension. Modified C-Face motors will have standard BA dimensions. Please furnish the motor specification number when ordering.

NEMA Frame	Enclosure	Catalog Number	List Price	Mult. Sym.	Ap'x. Shpg. Weight Lbs.
143-145T (1)	TEFC	35EP1506A01SP	245	A8	8
182-184T (2)	TEFC	36EP1304A62SP	275	A8	15
286-286 U,T	TEFC	10EP1502A01SP	581	A8	39
324-326 U,T	TEFC	12EP1501A03SP	1,003	A8	50

NOTES:

- (1) 143T-145T foot mount motor modified with kit 35EP1506A01SP will have Non-standard NEMA BA dimension of 2.25".
- (2) 182T-184T foot mount motor modified with kit 36EP1304A62SP will have Non-standard NEMA BA dimension of 2.75".

Drain Fitting Kit



TEFC Motors 48 – 215T

Applications: Increase General Purpose IP44 enclosures to IP54 protection level by installing drain plugs in motor weep hole drains.

Features: Kit consists of quantity (2) plastic push in drain fittings and instructions for proper installation. Can be installed in steel band and cast iron frame motors.

Catalog Number	List Price	Mult. Sym.	Ap'x. Shpg. Wgt. Lbs.
HA5027A03	7	A8	1

Drip Covers for Field Conversion



Standard ODP Motors to Vertical Mount

Features: Complete kits with all hardware, attaches to endplate with no drilling. Designed to protect open steel band motors from rain, snow and ice when mounted outdoors in a vertical position. Primed and painted inside and out. For a Baldor conversion, refer to the Mod Express Section in this catalog.

Catalog Number	Frame	List Price	Mult. Sym.	Ap'x. Shpg. Wgt.
FCD34	48-56, Type 34	94	A8	1
FCD35 *	56-145T, Type 35 (Plastic)	25	A8	1
FCD35M *	56-145T, Type 35 (Metal)	94	A8	2
FCD36	182T-184T, Type 36	115	A8	2
FCD37	213T-256T, Type 37	139	A8	3
FCD39	254T-256T, Type 39	186	A8	3
FCD40	284-286, Type 40	199	A8	12
FCD42	324-326, Type 42	213	A8	5

NOTES:

* FCD35 is plastic. FCD35M is the metal version.

Definite Purpose Motors
 Unit Handling Motors
 Brake Motors
 IEC Frame Motors
 50 Hertz Motors
 Inverter/Vector Motors & Controls
 DC Motors and Controls
 Gearmotors and Gear Products
 Motor Accessories
 Grinders

Cast Iron Fan Cover for Field Conversion



Standard TEFC Cast Iron Motors

Applications: For cast iron construction.

Features: Complete kits consists of cast iron fan covers and all necessary mounting hardware. These kits replace the standard steel fan cover when used. For a Baldor conversion, refer to the Mod Express Section in this catalog.

Catalog Number	Description	List Price	Mult. Sym.	Ap'x. Shpg. Wgt.
FFC05	05/143-5T	149	A8	6
FFC06	06/182-4T	160	A8	10
K18G8 **	06/182-4T E Line	160	A8	10
K18G9 **	07/213-5T E Line	160	A8	15
FFC09	09/254-6U & T	221	A8	20
K18G10 **	09/254-6T E Line	199	A8	20
K18G11 **	10/324-6T E Line	199	A8	25
K18G12 **	12/364-5T E Line	210	A8	35
FFC18 **	404-5T E Line	289	A8	90
FFC19 **	444-9T E Line	352	A8	120

NOTE: ** Contact District Office with nameplate specification number to determine correct kit.
Not available on 280 frame due to replacement of bearing, endplate, and mounting configuration.

SHADED RATINGS ARE CAST IRON FRAMES

Cast Iron Fan Cover and Conduit Boxes for Field Conversion



Standard TEFC Cast Iron Motors

Applications: For all Cast Iron construction.

Features: Complete kits consists of cast iron fan covers and cast iron conduit boxes when necessary. The kits also include all necessary mounting hardware. These kits replace the standard steel fan cover and aluminum conduit box when used. For a Baldor conversion, refer to the Mod Express Section in this catalog.

Catalog Number	Description	List Price	Mult. Sym.	Ap'x. Shpg. Wgt.
FFC07WB	07/213-5T	236	A8	19
FFC09WB	09/254-6U & T	324	A8	28
K36G50	360T	1,363	P1	123
K36G18	360T	1,363	P1	123

NOTE: NOT FOR USE ON EXPLOSION PROOF MOTORS.

SHADED RATINGS ARE CAST IRON FRAMES

Definite Purpose Motors

Unit Handling Motors

Brake Motors

IEC Frame Motors

50 Hertz Motors

Inverter/Vector Motors & Controls

DC Motors and Controls

Gearmotors and Gear Products

Motor Accessories

Grinders

Gear Motor Accessories
Conduit Box Kit



Baldor 24 Frame stock gearmotors are designed to accommodate this optional conduit/capacitor box.

Motor Types	Kit Description	Catalog Number	List Price	Mult. Sym.	Ap'x. Shpg. Wgt.
2412, 2416, 2420, 2424	Combination Conduit/Capacitor Mounting Box Kit	BKP2400	60	A8	1

PSM Mounting Adapters



B92 is formed steel mounting base that bolts to machined surface on bottom of PSM gear box casting. Provides secure foot mounting of gear motor and drop-in interchangeability with other major manufacturers.

B93 is a three point face mounting adapter. Provides interchangeability with other manufacturers.

Catalog Number	Description	List Price	Mult. Sym.	Ap'x. Shpg. Wgt.
B92	Foot Mount	49	A8	1
B93	3 Point Face Mount	75	A8	1
B94	B Box Mounting Base Kit	84	A8	1

“L” Type Mounting Brackets



Applications: Mounting bracket for PSSH and PSL gearmotors. Securely mounts to gear face in 90 degree locations for floor, wall or ceiling mount. Bracket LB74 is not recommended for PSL/PSLH units weighing over 20 lbs. For units weighing more than 20 lbs. use LB75.

Catalog Number	Description	List Price	Mult. Sym.	Color	Ap'x. Shpg. Wgt
LB73	PSSH	49	A8	Black	2
LB74	PSL	69	A8	Black	2
LB75	PSL/PSLH	96	A8	Black	7
LB73GR	PSSH	49	A8	Baldor Grey	2
LB74GR	PSL/PSLH	69	A8	Baldor Grey	2
LB75GR	PSL	96	A8	Baldor Grey	7

H Gearbox Accessories



Baldor offers optional base and shaft kits for H style gearmotors. Adding a base and shaft kit allows them to be used in applications requiring a rightangle shaft extension. The shaft can be used for either right or left hand output applications.

Catalog Number	Description	List Price	Mult. Sym.	Ap'x. Shpg. Wgt.
B19H71	Horiz Base Kit	82	A8	1
SH10HS	Output Shaft Kit	26	A8	2
TA05HK	Torque Arm Kit	88	A8	2

Motors and Gearmotors UL, cUL and CSA Approvals



Product Type	CSA LR2262	UL E46145	CUL E46145
AC	Motor Models and Frames 24, 25, 33	Motor Models and Frames 24, 25, 33	
DC	Motor Models and Frames 73, 74: 90V Ratings Only Motor Models and Frames 25, 33: Not Restricted to 90 Volts	Motor Models and Frames 23, 25, 33, 73, 74, 125, 135	Motor Model and Frames 23, 125, 135

Adjustable Motor Bases

These motor bases simplify mounting and belt tension adjustment at installation and during later maintenance checks. These are heavy duty adjustable motor bases manufactured of steel or plate. All bases are detergent washed, painted with dark gray primer and oven baked for corrosion resistance. The nuts and bolts are zinc plated. NEMA 215T and smaller bases feature one adjusting screw. Bases for NEMA 254T frame and larger motors feature two adjusting screws. Motor mounting bolts are included. Bases listed can be used with motor frame numbers given and succeeded by the letters S, T, U, US and TS, or any other letter combinations provided the motors' base meets NEMA standards.



NEMA Frame Motors	Base Catalog Number	List Price	Mult. Sym.	No. of Adjusting Screws	Motor Mounting Bolt Size	Ap'x Shpg. Wgt.
48	B48T	107	A8	1	5/16 x 1	3
56	B56T	107	A8	1	5/16 x 1	5
143T	B143T	137	A8	1	5/16 x 1	6
145T	B145T	137	A8	1	5/16 x 1	7
182T	B182T	145	A8	1	3/8 x 1 1/2	10
184T	B184T	145	A8	1	3/8 x 1 1/2	10
213T	B213T	168	A8	1	3/8 x 1 1/2	14
215T	B215T	168	A8	1	3/8 x 1 1/2	15
254T	B254T	276	A8	2	1/2 x 1 3/4	21
256T	B256T	276	A8	2	1/2 x 1 3/4	21
284T	B284T	314	A8	2	1/2 x 2	24
286T	B286T	314	A8	2	1/2 x 2	24
324T	B324T	485	A8	2	5/8 x 2 1/2	34
326T	B326T	485	A8	2	5/8 x 2 1/2	37
364T	B364T	604	A8	2	5/8 x 2 1/2	48
365T	B365T	604	A8	2	5/8 x 2 1/2	50
404T	B404T	898	A8	2	3/4 x 3	62
405T	B405T	898	A8	2	3/4 x 3	66
444T	B444T	1,097	A8	2	3/4 x 3	70
445T	B445T	1,097	A8	2	3/4 x 3	71
447T	B447T	1,293	A8	2	3/4 x 3 1/2	93
449T	B449T	1,293	A8	2	3/4 x 3 1/2	99
G5008-G5012	B5000RLS (1)	1,948	A8	2	7/8 x 3 1/2	149

NOTE: Bases not suitable for vertical mounting. See base dimensions on next page.

(1) One adjustable motor rail.

Definite Purpose Motors

Unit Handling Motors

Brake Motors

IEC Frame Motors

50 Hertz Motors

Inverter/Vector Motors & Controls

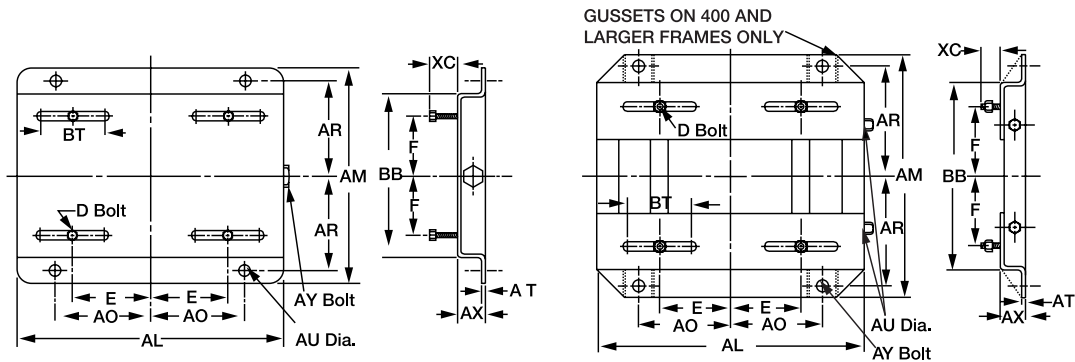
DC Motors and Controls

Gearmotors and Gear Products

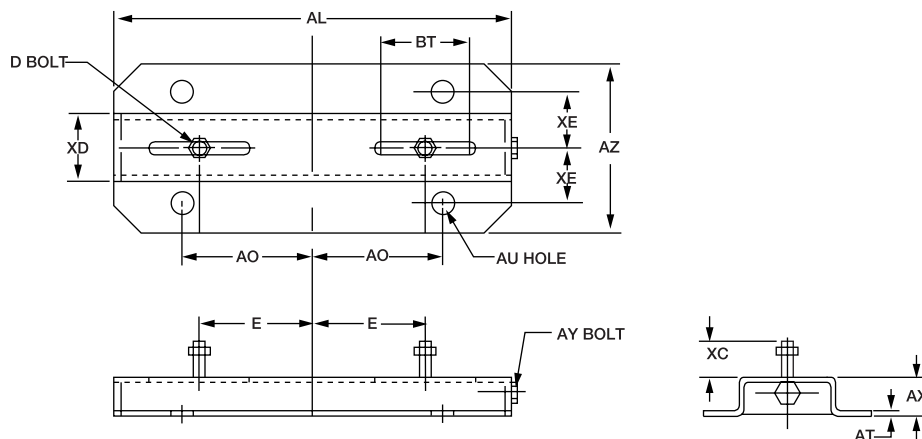
Motor Accessories

Grinders

Adjustable Motor Bases Dimension Diagrams



NEMA Frame	Catalog Number	E	F	AL	AM	AO	AR	AT	AU	AX	BB	BT	XC	D Bolt	AY Bolt
48	B48T	2.125	1.375	10.00	6.25	3.50	2.75	0.078	0.375	1.125	4.25	3.00	0.875	5/16 x 1	3/8 x 4
56	B56T	2.437	1.50	10.625	6.50	3.812	2.875				4.50				
143	B143T	2.75	2.00	10.50	7.50	3.75	3.375	0.109	0.375	1.125	5.50	3.00	0.812	5/16 x 1	3/8 x 4
145	B145T		2.50		8.50		3.875				6.50				
182	B182T	3.75	2.25	12.75	9.50	4.50	4.25	0.140	0.50	1.50	6.50	3.00	1.50	3/8 x 1-3/4	1/2 x 5
184	B184T		2.75		10.50		4.75				7.50				
213	B213T	4.25	2.75	15.00	11.00	5.25	4.75	0.156	0.50	1.75	7.50	3.50	1.50	3/8 x 1-3/4	1/2 x 5
215	B215T		3.50		12.50		5.50				9.00				
254	B254T	5.00	4.125	17.75	15.125	6.25	6.625	0.187	0.625	2.00	10.75	4.00	1.437	1/2 x 1-3/4	5/8 x 6
256	B256T		5.00		16.875		7.50				12.50				
284	B284T	5.50	4.75	19.75	16.875	7.00	7.50	0.187	0.625	2.00	12.514	4.50	1.687	1/2 x 2	5/8 x 6
286	B286T		5.50		18.375		8.25								
324	B324T	5.25	5.256	22.75	19.25	8.00	8.50	0.187	0.75	2.50	14.00	5.25	2.187	5/8 x 2-1/2	3/4 x 9
326	B326T				20.75		9.25				15.50				
364	B364T	7.00	5.625	25.50	20.50	9.00	9.125	0.25	0.75	2.50	15.50	6.00	2.062	5/8 x 2-1/2	3/4 x 9
365	B365T		6.625		21.50		9.625				16.50				
404	B404T	8.00	6.125	28.75	22.375	10.00	9.875	0.25	0.875	3.00	16.50	7.00	2.50	3/4 x 3	3/4 x 11
405	B405T		6.387		23.875		10.625				18.00				
444	B444T	9.00	7.25	31.25	24.625	11.00	11.00	0.25	0.875	3.00	19.25	7.50	2.50	3/4 x 3	3/4 x 11
445	B445T		8.25		26.625		12.00				21.25				
447	B447T	9.00	10.00	31.25	30.125	11.00	13.75	0.312	1.125	3.00	24.75	7.50	3.00	3/4 x 3-1/2	3/4 x 14
449	B449T		12.50		35.125		16.25				29.75				



NEMA Frame	Catalog Number	E	AL	AO	AL	AU	AX	AZ	BT	XC	XO	XE	D Bolt	AY Bolt
G5000	B5000RLS	10.00	35.00	12.50	0.312	1.00	3.50	12.00	8.00	3.00	6.00	4.50	7/8 x 3-1/2	7/8 x 16

DIMENSIONS ARE FOR REFERENCE ONLY, CONSULT A BALDOR DISTRICT OFFICE FOR CERTIFIED DIMENSIONS

Conversion Bases

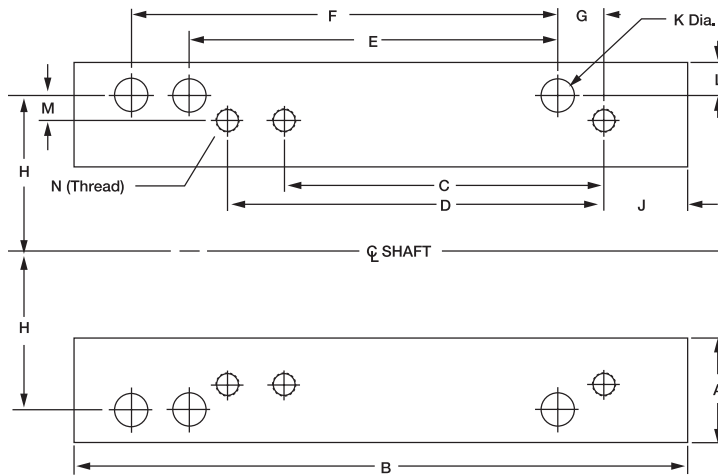


Consisting of right and left hand pieces that fit to existing mounting studs. The "T" frame motor is mounted to the pieces resulting in compensation for the difference in motor height, shaft position and mounting hole.

Catalog Number	Converts From "U" Frame	Converts To "T" Frame	List Price	Mult. Sym.	Ap'x Shpg. Wgt.	Height Inches	Width Inches	Length Inches	Thread
CB1814T	182/184	143T/145T	115	A8	2	1	2 1/4	7 1/2	5/16-18
CB2118T	213/215	182T/184T	162	A8	2	3/4	1 3/4	9 1/2	3/8-16
CB2521T	254U/256U	213T/215T	186	A8	6	1	2 7/16	12 3/4	3/8-16
CB2825T	284U/286U	254T/256T	251	A8	7	3/4	2 3/4	14 1/4	1/2-13
CB3228T	324U/326U	284T/286T	346	A8	9	1	3 1/4	15 3/4	1/2-13
CB3632T	364U/365U	324T/326T	426	A8	12	1	3 11/16	16 1/2	5/8-11
CB4036T	404U/405U	364T/365T	584	A8	20	1	4 1/4	18 5/8	5/8-11
CB5744T	449T	586T/576	2,458	A8	465	3 1/2	6 1/2	35 3/4	-
CB5049T	505U	449T	1,054	A8	164	1.50	4.50	28.00	3/4-10
CB5850S	5808/10	5008/10	7,847	A8	250	1.88	6.50	44.88	3/4-10
CB5850M	5810/11	5008/10	7,975	A8	320	1.88	6.50	50.00	3/4-10

NOTE: Dimensions are for one piece. Two pieces supplied. Design is for horizontal mounting. Motor shimming may be required for direct drive applications.

Conversion Bases Dimension Diagrams



Catalog Number	Converts From	Converts To	A	B	Height	C	D	E	F	G	H	J	K	L	M	N (Thread)
CB1814T	182-184	143T-145T	2.25	7.50	1.00	4.00	5.00	4.50	5.50	0.50	3.75	1.00	0.437	0.50	1.0	5/16-18
CB2118T	213-215	182T-184T	1.75	8.50	0.75	4.50	5.50	5.50	7.00	1.00	4.25	1.00	0.437	0.437	0.5	3/8-16
CB2521T	254U-256U	213T-215T	2.437	12.75	1.00	5.50	7.00	8.25	10.00	1.125	5.00	1.00	0.562	0.625	0.75	3/8-16
CB2825T	284U-286U	254T-256T	2.75	14.25	0.75	8.25	10.00	9.50	11.00	1.375	5.50	1.25	0.562	0.937	0.5	1/2-13
CB3228T	324U-326U	284T-286T	3.25	15.75	1.00	9.50	11.00	10.50	12.00	1.50	6.25	1.50	0.687	0.937	0.75	1/2-13
CB3632T	364U-365U	324T-326T	3.687	16.50	1.00	10.50	12.00	11.25	12.25	1.75	7.00	1.75	0.687	1.187	0.75	5/8-11
CB4036T	404U-405U	364T-365T	4.25	18.625	1.00	11.25	12.25	12.25	13.75	2.00	8.00	2.00	0.812	1.25	1.0	5/8-11
CB5744T	449T	586/587	6.50	36.75	3.50	25.00	32.00	22.00	25.00	2.50	-	3.5	1.19	2.00	2.50	-
CB5049T	505U	449T	4.50	28.00	1.50	25.00	-	18.00	-	1.00	9.00	1.50	0.94	1.50	1.00	3/4-10
CB5850S	5808/10	5008/10	6.50	44.88	1.88	25.00	32.00	28.00	36.00	2.50	10.00	2.88	0.91	2.75	1.50	3/4-10
CB5850M	5810/11	5008/10	6.50	50.00	1.88	25.00	32.00	36.00	40.00	3.50	11.50	2.88	0.91	2.75	1.50	3/4-10

NOTE: Where applicable, 5808, 5810, & 5811 frame dimensions will meet NEMA MG1. For all other dimensions, please reference chart above and confirm base and motor will work in your application.