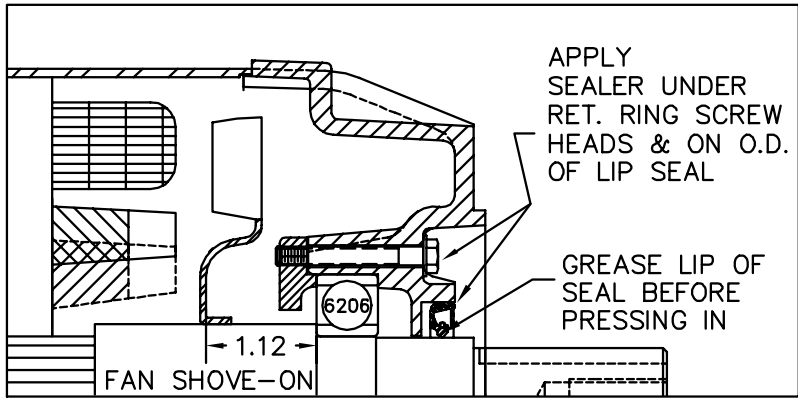


1 HOLE  
M8 X 1.25 TAP  
.62 [16] DEEP  
(MIN)



PULLEY END SECTION

CUSTOMER IS RESPONSIBLE FOR DETERMINING THAT BALDOR'S PRODUCT WILL PERFORM SUITABLY IN THE INTENDED APPLICATION.

REV. DESC: UPDATE SEALER NOTE, REMOVE "RED"		
REV. LTR: C	VERSION: 03	TDR: 00000996537
FILE: \AAA\00094\425	REVISED: 12:03:19 09/14/2016	BY: ENERINO
MTL: -	⊙ □	



VERT IEC D90SC-D90LC TEFC 35M W/SEAL B14 MTG

35LYS714