

BALDOR® • RELIANCE

Product Information Packet

EL11310

1HP,1725RPM,1PH,60HZ,56,3528LC,ODP,F1,N

| Part Detail | | | | | | | |
|-------------|--------|-------------|------------|-------------|--------|---------------|------------|
| Revision: | G | Status: | PRD/A | Change #: | | Proprietary: | No |
| Type: | AC | Elec. Spec: | 35WGN264 | CD Diagram: | CD0055 | Mfg Plant: | |
| Mech. Spec: | 35M497 | Layout: | 35LYM497 | Poles: | 04 | Created Date: | 04-25-2014 |
| Base: | RG | Eff. Date: | 08-21-2017 | Leads: | 6#18 | | |

| Specs | | | |
|---------------------------------|-------------------------|--------------------------------|--------------------|
| Catalog Number: | EL11310 | Insulation Class: | F |
| Enclosure: | ODP | Inverter Code: | Not Inverter |
| Frame: | 56 | KVA Code: | K |
| Frame Material: | Steel | Lifting Lugs: | No Lifting Lugs |
| Output @ Frequency: | 1.000 HP @ 60 HZ | Locked Bearing Indicator: | No Locked Bearing |
| Synchronous Speed @ Frequency: | 1800 RPM @ 60 HZ | Motor Lead Quantity/Wire Size: | 6 @ 18 AWG |
| Voltage @ Frequency: | 115.0 V @ 60 HZ | Motor Lead Exit: | Ko Box |
| | 230.0 V @ 60 HZ | Motor Lead Termination: | Flying Leads |
| XP Class and Group: | None | Motor Type: | 3528LC |
| XP Division: | Not Applicable | Mounting Arrangement: | F1 |
| Agency Approvals: | UR | Power Factor: | 93 |
| | CSA | Product Family: | General Purpose |
| Auxillary Box: | No Auxillary Box | Pulley End Bearing Type: | Ball |
| Auxillary Box Lead Termination: | None | Pulley Face Code: | Standard |
| Base Indicator: | Rigid | Pulley Shaft Indicator: | Standard |
| Bearing Grease Type: | Polyrex EM (-20F +300F) | Rodent Screen: | None |
| Blower: | None | Shaft Extension Location: | Pulley End |
| Current @ Voltage: | 4.200 A @ 230.0 V | Shaft Ground Indicator: | No Shaft Grounding |

| | | | |
|---------------------------------------|---------------------------|------------------------------------|---------------------|
| | 8.400 A @ 115.0 V | Shaft Rotation: | Reversible |
| Design Code: | L | Shaft Slinger Indicator: | No Slinger |
| Drip Cover: | No Drip Cover | Speed Code: | Single Speed |
| Duty Rating: | CONT | Motor Standards: | NEMA |
| Electrically Isolated Bearing: | Not Electrically Isolated | Starting Method: | Direct on line |
| Feedback Device: | NO FEEDBACK | Thermal Device - Bearing: | None |
| Front Face Code: | Standard | Thermal Device - Winding: | None |
| Front Shaft Indicator: | None | Vibration Sensor Indicator: | No Vibration Sensor |
| Heater Indicator: | No Heater | Winding Thermal 1: | None |
| | | Winding Thermal 2: | None |

| | | | | | | | | | | |
|-------------------|--------------|--|------|----|-----|------|--|----|----------------|---|
| Nameplate NP3155L | | | | | | | | | | |
| CAT.NO. | EL11310 | | | | | | | | | |
| SPEC. | 35M497N264G1 | | | | | | | | | |
| HP | 1 | | | | | | | | | |
| VOLTS | 115/230 | | | | | | | | | |
| AMP | 8.4/4.2 | | | | | | | | | |
| RPM | 1750 | | | | | | | | | |
| FRAME | 56 | | | | HZ | 60 | | | PH | 1 |
| SER.F. | 1.15 | | CODE | K | DES | L | | CL | F | |
| F.L. AVG. EFF. | 82.6 | | PF | 93 | | | | | | |
| RATING | 40C AMB-CONT | | | | | | | | | |
| CC | | | | | | | | | USABLE AT 208V | |
| DE | 6205 | | | | ODE | 6203 | | | | |
| ENCL | ODP | | SN | | | | | | | |

| Parts List | | |
|-------------|--|----------|
| Part Number | Description | Quantity |
| SA279961 | SA 35M497N264G1 | 1.000 EA |
| RA266473 | RA 35M497N264G1 | 1.000 EA |
| OC3040F09SP | CAPACITOR 40 MFD 370 VAC | 1.000 EA |
| EC1460A05SP | ELEC CAP, 460-552 MFD, 125V, 2.06D X 3. | 1.000 EA |
| NS2512A01 | INSULATOR, CONDUIT BOX X | 1.000 EA |
| 35CB3007 | 35 CB CASTING W/.88 DIA. LEAD HOLE | 1.000 EA |
| 51XB1016A07 | 10-16 X 7/16 HXWSSLD SERTYB | 2.000 EA |
| 11XW1032G06 | 10-32 X .38, TAPTITE II, HEX WSHR SLTD U | 1.000 EA |
| 51XW0832A07 | 8-32 X .44, TAPTITE II, HEX WSHR SLTD SE | 2.000 EA |
| 35EP3209G00 | MASTER ODE,203 BRG | 1.000 EA |
| NS2501A02 | INSULATOR, CAPACITOR BOX | 1.000 EA |
| 35CB3801 | CAPACITOR COVER, CAST | 1.000 EA |
| HA7010 | CAPACITOR RETENTION CLAMP | 1.000 EA |
| 51XB1016A08 | 10-16X 1/2HXWSSLD SERTYB | 2.000 EA |
| HW5100A03 | WAVY WASHER (W1543-017) | 1.000 EA |
| 35EP3210B00 | MASTER DE,205 BRG,STD SH | 1.000 EA |
| XY1032A02 | 10-32 HEX NUT DIRECTIONAL SERRATION | 4.000 EA |
| 35CB4521 | 35 LIPPED CB LID (GALV & PHOSPH) | 1.000 EA |
| 51XW0832A07 | 8-32 X .44, TAPTITE II, HEX WSHR SLTD SE | 4.000 EA |
| HW2501D13 | KEY, 3/16 SQ X 1.375 | 1.000 EA |
| HA7000A04 | KEY RETAINER 0.625 DIA SHAFTS | 1.000 EA |
| 85XU0407S04 | 4X1/4 U DRIVE PIN STAINLESS | 2.000 EA |
| WD1000A15 | 3-520132-2 AMP FLAG (4M/RL NON-CANC/NON- | 4.000 EA |
| MJ1000A02 | GREASE, POLYREX EM EXXON (USe 4824-15A) | 0.050 LB |

| Parts List (continued) | | |
|-------------------------------|--|-----------------|
| Part Number | Description | Quantity |
| MG1000Y03 | MUNSELL 2.53Y 6.70/ 4.60, GLOSS 20, | 0.017 GA |
| HA3100A18 | THRUBOLT 10-32 X 9.250 | 4.000 EA |
| SP5181A01 | MODEL 35 LC TORQ STAT SWITCH LEAD ASSY | 1.000 EA |
| LC0001A01 | CONN LABEL / WARNING LABEL (LC0001 / LB1 | 1.000 EA |
| MN416A01 | TAG-INSTAL-MAINT no wire (1100/bx) 11/14 | 1.000 EA |
| NP3155L | ALUM SUPER-E UL CSA CC "SEMS" | 1.000 EA |
| 35PA1066 | PKG GRP, PRINT PK1008A06 | 1.000 EA |
| PE-0000001 | ZRTG PE ASSEMBLY | 1.000 EA |
| FE-0000001 | ZRTG FE ASSEMBLY | 1.000 EA |

AC Induction Motor Performance Data

Record # 45906 - Typical performance - not guaranteed values

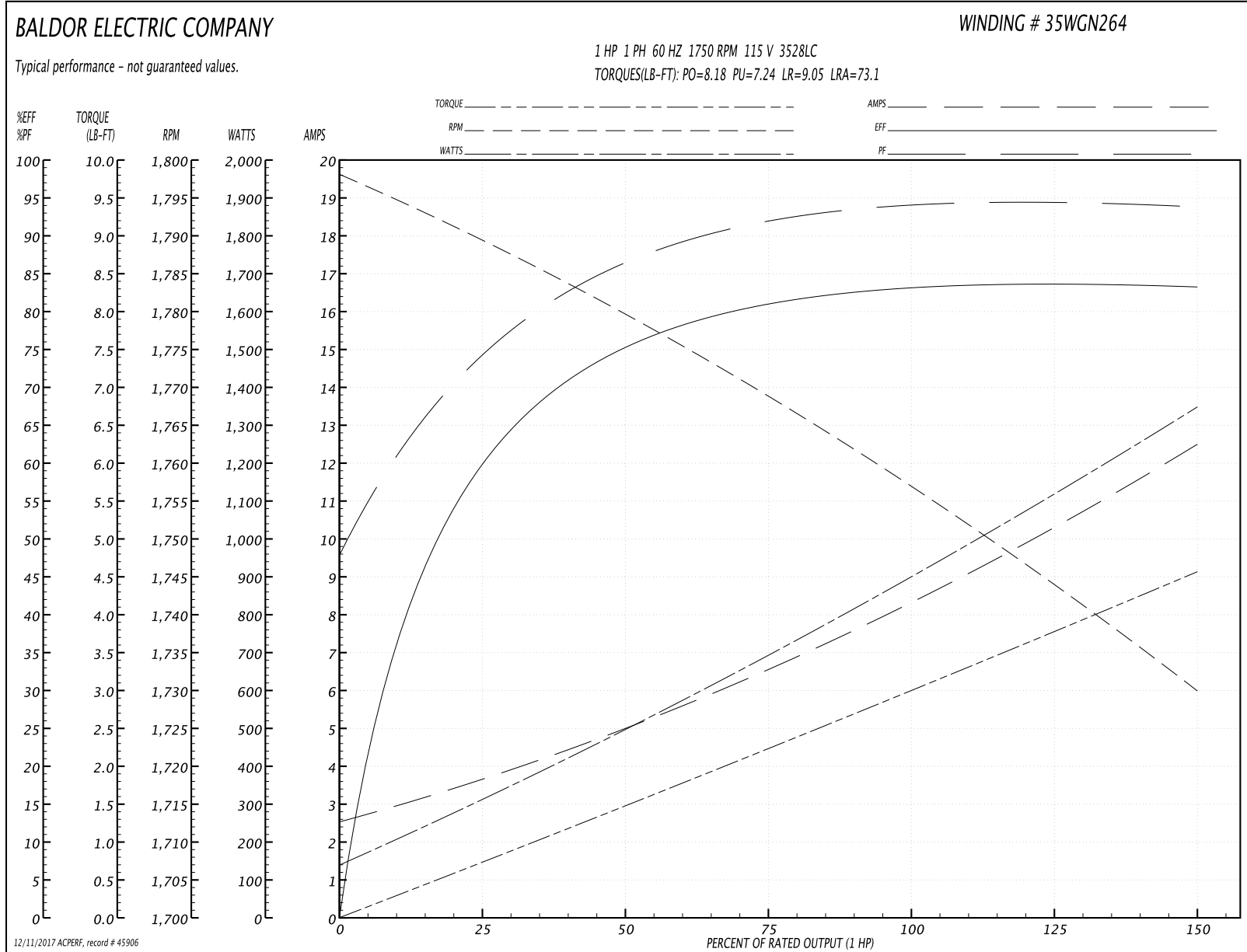
| | | |
|-------------------------------|---------------------|------------------------|
| Winding: 35WGN264-R001 | Type: 3528LC | Enclosure: OPEN |
|-------------------------------|---------------------|------------------------|

| Nameplate Data | | | | 115 V, 60 Hz: Low Voltage Connection | |
|-----------------------|--------------|--------------|----|---|--------------------------------|
| Rated Output (HP) | 1 | | | Full Load Torque | 2.97 LB-FT |
| Volts | 115/230 | | | Start Configuration | direct on line |
| Full Load Amps | 8.4/4.2 | | | Breakdown Torque | 8.18 LB-FT |
| R.P.M. | 1750 | | | Pull-up Torque | 7.24 LB-FT |
| Hz | 60 | Phase | 1 | Locked-rotor Torque | 9.05 LB-FT |
| NEMA Design Code | L | KVA Code | K | Starting Current | 73.1 A |
| Service Factor (S.F.) | 1.15 | | | No-load Current | 2.55 A |
| NEMA Nom. Eff. | 82.6 | Power Factor | 93 | Line-line Res. @ 25°C | 0.6104 Ω A Ph 1.9969 Ω B Ph |
| Rating - Duty | 40C AMB-CONT | | | Temp. Rise @ Rated Load | 17°C |
| S.F. Amps | | | | Temp. Rise @ S.F. Load | 20°C |

Load Characteristics 115 V, 60 Hz, 1 HP

| % of Rated Load | 25 | 50 | 75 | 100 | 125 | 150 | S.F. |
|-----------------|--------|--------|--------|--------|--------|--------|------|
| Power Factor | 78 | 87 | 91 | 93 | 94 | 94 | 94 |
| Efficiency | 57.8 | 74.5 | 81.2 | 83.8 | 84 | 82.8 | 83.9 |
| Speed | 1788.2 | 1779.2 | 1769.2 | 1758.2 | 1744.4 | 1729.3 | 1750 |
| Line amperes | 3.65 | 4.96 | 6.55 | 8.27 | 10.3 | 12.5 | 9.49 |

Performance Graph at 115V, 60Hz, 1.0HP Typical performance - Not guaranteed values



AC Induction Motor Performance Data

Record # 49416 - Typical performance - not guaranteed values

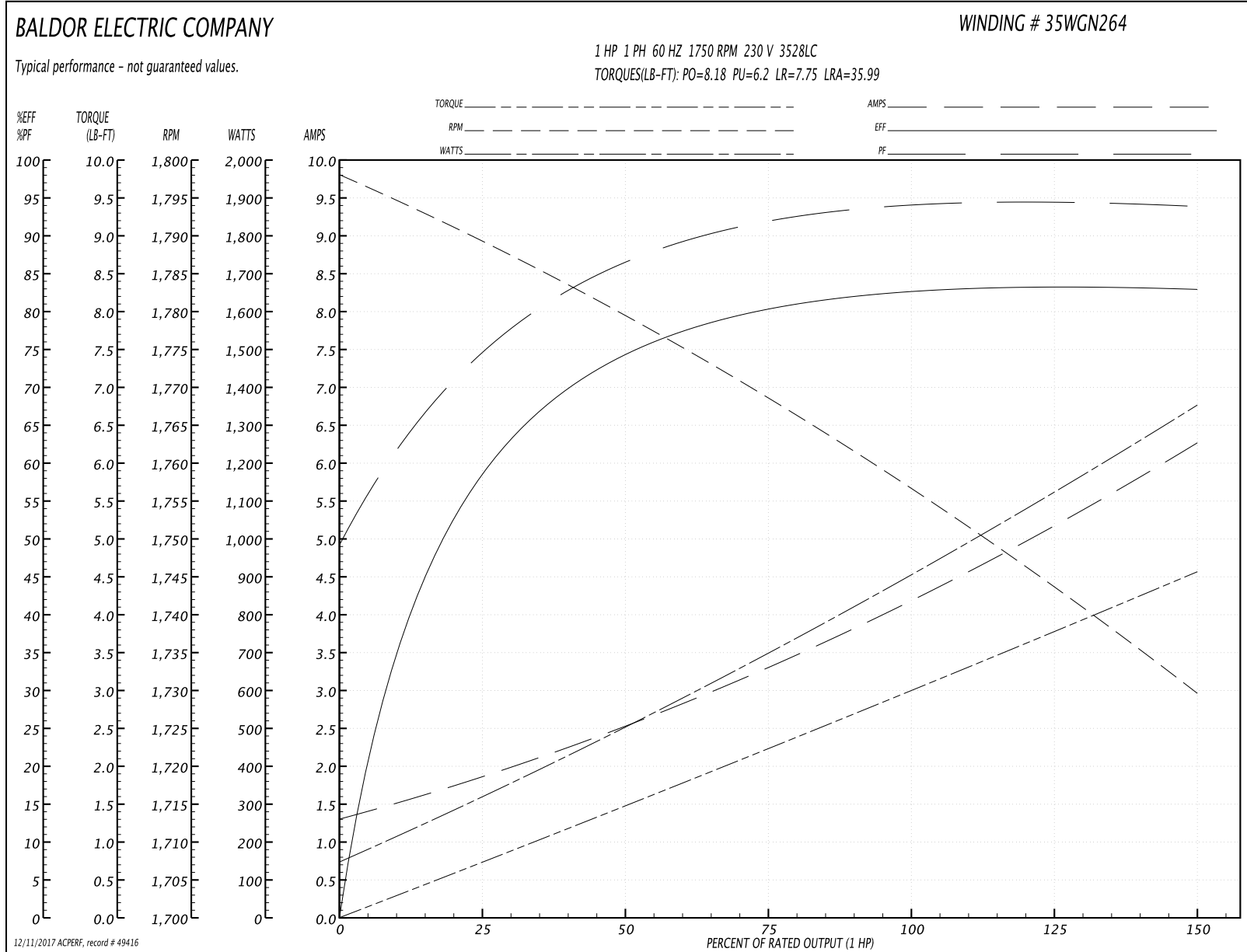
| | | |
|-------------------------------|---------------------|------------------------|
| Winding: 35WGN264-R003 | Type: 3528LC | Enclosure: ODTF |
|-------------------------------|---------------------|------------------------|

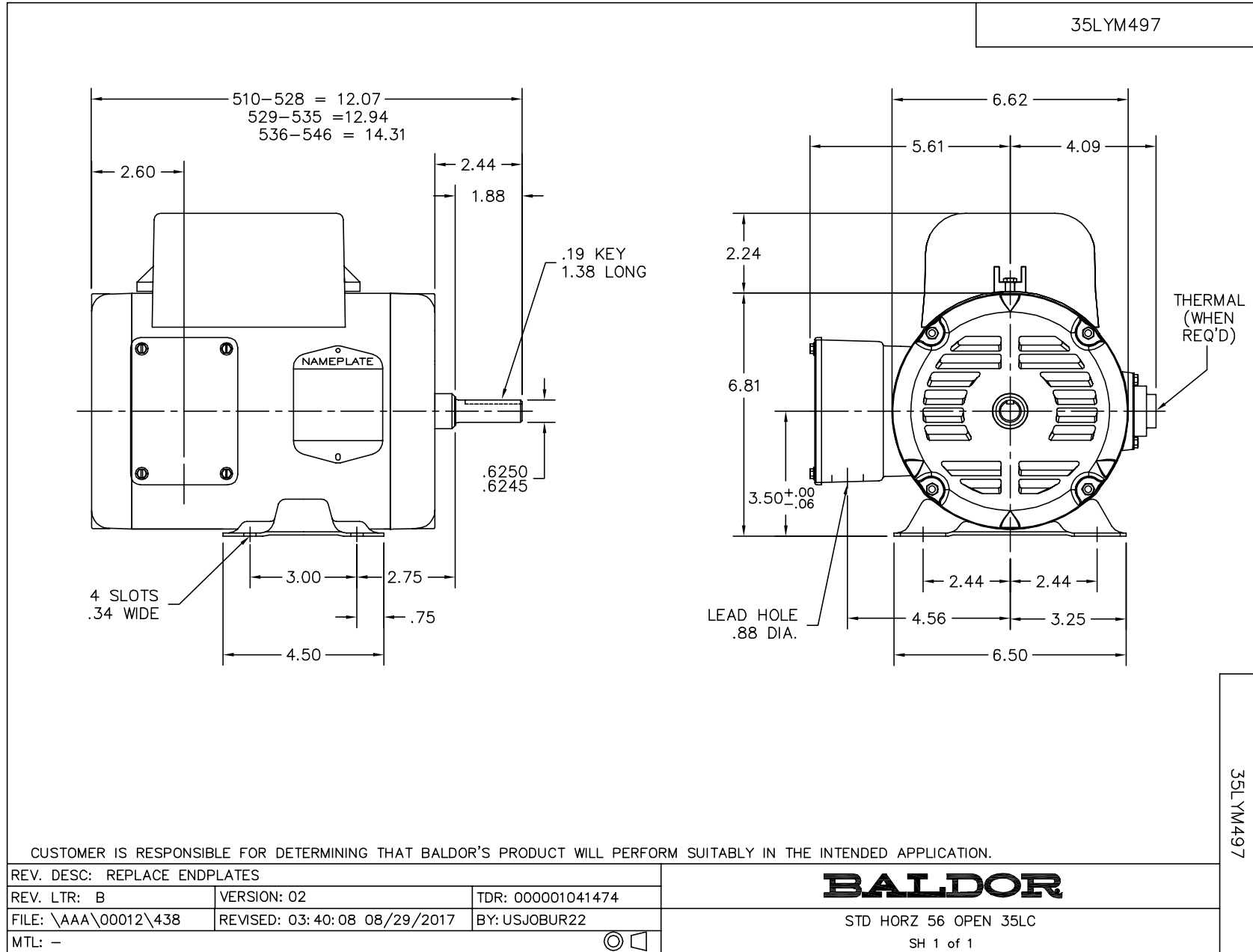
| Nameplate Data | | | | 230 V, 60 Hz: High Voltage Connection | |
|-----------------------|--------------|--------------|----|--|-----------------------------|
| Rated Output (HP) | 1 | | | Full Load Torque | 2.97 LB-FT |
| Volts | 115/230 | | | Start Configuration | direct on line |
| Full Load Amps | 8.4/4.2 | | | Breakdown Torque | 8.18 LB-FT |
| R.P.M. | 1750 | | | Pull-up Torque | 6.2 LB-FT |
| Hz | 60 | Phase | 1 | Locked-rotor Torque | 7.75 LB-FT |
| NEMA Design Code | L | KVA Code | K | Starting Current | 35.99 A |
| Service Factor (S.F.) | 1.15 | | | No-load Current | 1.31 A |
| NEMA Nom. Eff. | 82.6 | Power Factor | 93 | Line-line Res. @ 25°C | 2.442 Ω A Ph 2.15 Ω B Ph |
| Rating - Duty | 40C AMB-CONT | | | Temp. Rise @ Rated Load | 18°C |
| S.F. Amps | | | | Temp. Rise @ S.F. Load | 21°C |
| | | | | Rotor inertia | 0.166 LB-FT ² |

Load Characteristics 230 V, 60 Hz, 1 HP

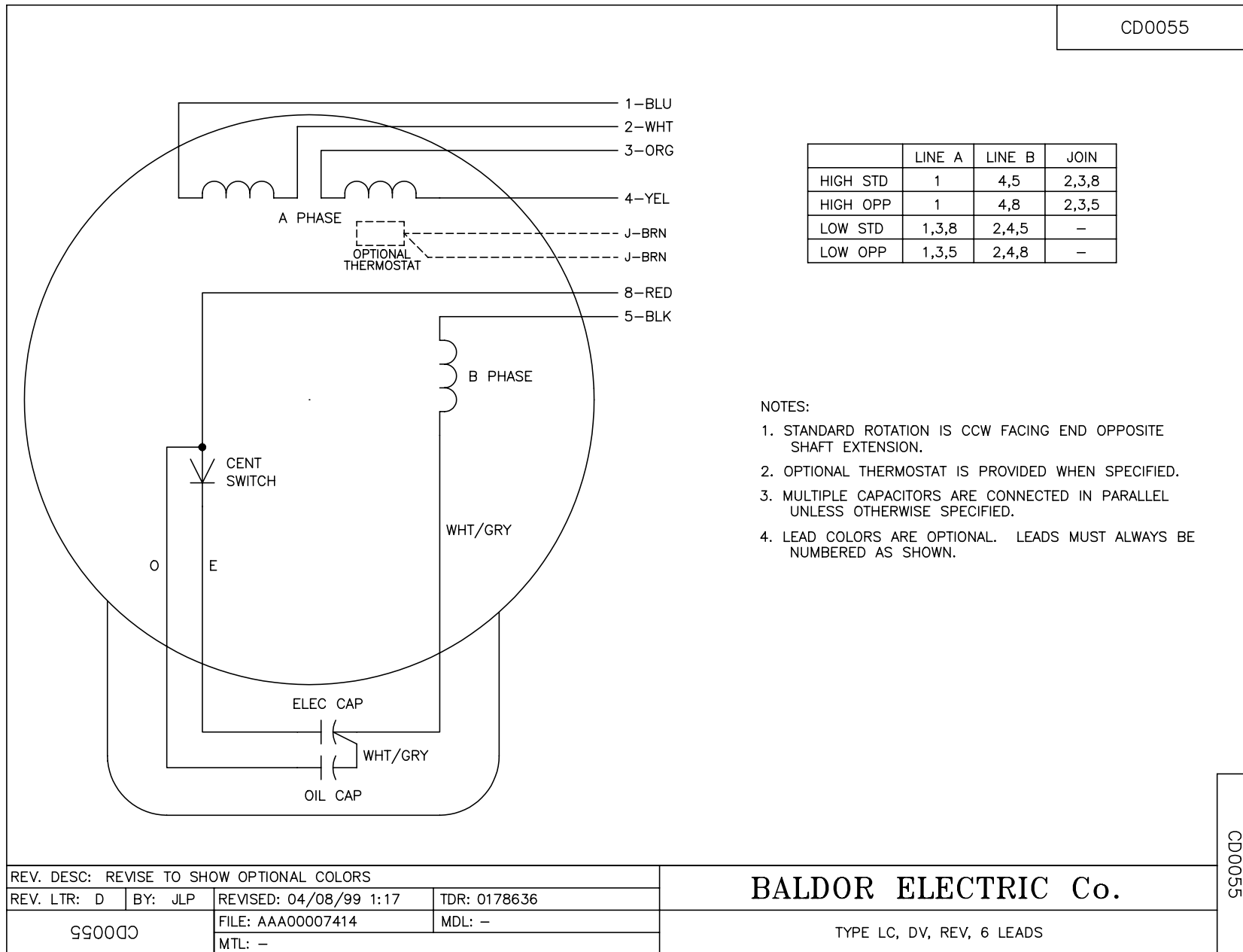
| % of Rated Load | 25 | 50 | 75 | 100 | 125 | 150 | S.F. |
|-----------------|------|------|------|------|------|------|------|
| Power Factor | 78 | 87 | 91 | 93 | 94 | 94 | 94 |
| Efficiency | 56.6 | 73.7 | 80.4 | 83.3 | 83.7 | 82.6 | 83.5 |
| Speed | 1788 | 1779 | 1769 | 1758 | 1744 | 1729 | 1750 |
| Line amperes | 1.86 | 2.51 | 3.3 | 4.16 | 5.17 | 6.27 | 4.77 |

Performance Graph at 230V, 60Hz, 1.0HP Typical performance - Not guaranteed values





CD0055



| | | | |
|---|---------|------------------------|--------------|
| REV. DESC: REVISE TO SHOW OPTIONAL COLORS | | | |
| REV. LTR: D | BY: JLP | REVISED: 04/08/99 1:17 | TDR: 0178636 |
| 990000 | | FILE: AAA00007414 | MDL: - |
| | | MTL: - | |

BALDOR ELECTRIC Co.

TYPE LC, DV, REV, 6 LEADS

CD0055