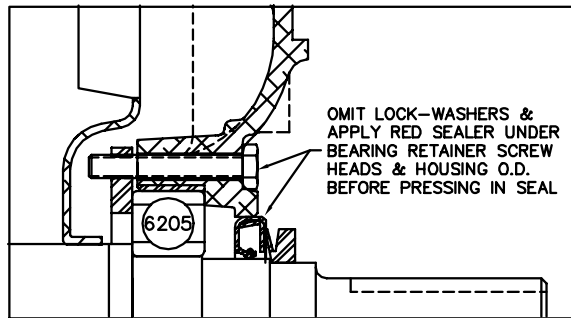


FRONT END DETAIL



PULLEY END DETAIL

CUSTOMER IS RESPONSIBLE FOR DETERMINING THAT BALDOR'S PRODUCT WILL PERFORM SUITABLY IN THE INTENDED APPLICATION.

|   |                              |                   |
|---|------------------------------|-------------------|
| REV. DESC: REPLACE 35SB0008 W/35SB2081 & 35BA4010 IN MECH DWG |                              |                   |
| REV. LTR: E   | VERSION: 05                  | TDR: 000000969661 |
| FILE: \AAA\00092\923  | REVISED: 02:47:45 03/07/2016 | BY: FPJFEGO       |
| MTL: -  |                              |                   |

**BALDOR**

STD HORZ 56C TEFC 35M WD (S/P #9)

SH 1 of 1