

BALDOR • RELIANCE

Product Information Packet

BSM132C-4200AA

BSM132C-4200AA T'STAT, RESOLVER

Specs			
Enclosure:	TENV		
Nameplate Speed:	3500		
Base Indicator:	Bracket Mounted		
Dimensional Drawing Numbers:	S8LYP009		
Frame:	D132D		
Motor Lead Quantity/Wire Size:	3 @ 10 AWG		
Mounting Arrangement:	F1		
Nameplate Output:	14KW		
Shaft Rotation:	Reversible		
Motor Standards:	IEC		

Nameplate NP3306L	
CAT.NO.	BSM132C-4200AA
SPEC.	S8P009W016
MFG.NO.	
TORQ CONT STALL	70 NM
CUR CONT STALL/A RMS	41.9
POWER	14KW
RATED SPEED/RPM	3500
RATED BUS VOLTS	650
MAX SPEED/RPM	5000
PEAK CUR/A RMS	107
MAXIMUM POWER/KW	14KW
TORQ PEAK STALL/NM	210
TORQ CONSTANT-NM/A	1.965

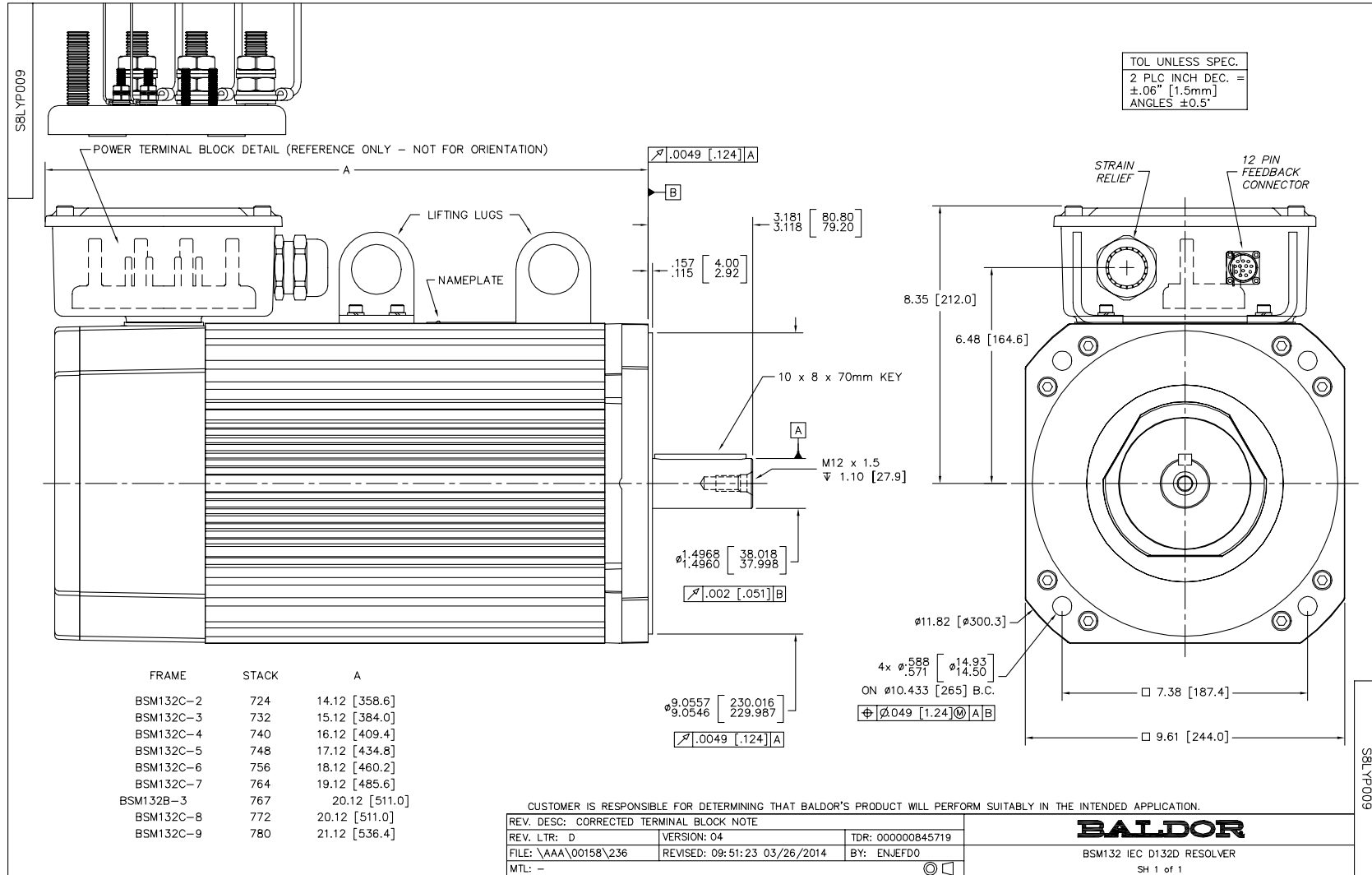
Parts List		
Part Number	Description	Quantity
RA168885	RA S8P009W016	1.000 EA
S8SA0001A40A08	BSM132 STATOR ASSEMBLY (40 STACK)	1.000 EA
S8HA0001	LIFTING LUG, S8 SERVO, USE WITH T-NUTS	2.000 EA
LB1115N	LABEL,LIFTING DEVICE (ON ROLLS)	1.000 EA
YZ4060A07	NUT, T-SLOT, M6 X 8, ITBONA #80010	4.000 EA
84YN0060J020	6MMX20MM SOCKET HEAD CAP SCREW	4.000 EA
HW1021A06	WASHER DIAMETER = M6, SPRING STEEL,	4.000 EA
WD1455A32	CONNECTOR, M23 THDS, 12 PIN, SOLDER CUP	1.000 EA
62YW0025A007	EPOXY LOCK SCREW,M2.5X7 TORX PAN HD TAPT	4.000 EA
HW5100A08	W3118-035 WVY WSHR (WB)	1.000 EA
HW2511B112	10MM X 8MM X 70MM LONG METRIC KEY W/RO	1.000 EA
HW5002A105	N5002-393 BEVELED RET RING, 100MM BORE	1.000 EA
S8EP2000A02	FREP BSM132, RESOLVER	1.000 EA
84YN0080J055	M8 X 1.25 X 55MM LG SHCS	4.000 EA
HW1021A08	WASHER DIAMETER = M8, SPRING STEEL,	4.000 EA
RM1020A72	O-RING, -175 BUNA-N, .103 CS X 8.987 ID	1.000 EA
84YN0030J008	SCREW, M3 X 08MM SOCKET HEAD CAP	3.000 EA
HA1056	SYNCHRO CLAMP, ZINC PLATED	3.000 EA
S8CB0001A01	FEEDBACK COVER BSM132	1.000 EA
84YN0080J020	M8 SOCKET HEAD CAP SCREW 20MM LONG.	4.000 EA
77CB2500A01	CONDUIT BOX LID MACH FOR 77 FRAME SERVO	1.000 EA
77GS1500	GASKET, CONDUIT BOX LID FOR SERVO MTR	1.000 EA
HW1021A08	WASHER DIAMETER = M8, SPRING STEEL,	4.000 EA
RM1020A72	O-RING, -175 BUNA-N, .103 CS X 8.987 ID	1.000 EA

Parts List (continued)		
Part Number	Description	Quantity
84YN0060J020	6MMX20MM SOCKET HEAD CAP SCREW	4.000 EA
HW1021A06	WASHER DIAMETER = M6, SPRING STEEL,	4.000 EA
77GS1001A01	GASKET, CONDUIT BOX, BSM265, CS-301	1.000 EA
84YN0060J014	6MMX14MM SOCKET HEAD CAP SCREW	1.000 EA
HW1021A06	WASHER DIAMETER = M6, SPRING STEEL,	1.000 EA
WD1327A02A01	TRBK, GEISS #KB-1205-S-A (MACHINED)	1.000 EA
84YN0080J020	M8 SOCKET HEAD CAP SCREW 20MM LONG.	2.000 EA
84YN0080J020	M8 SOCKET HEAD CAP SCREW 20MM LONG.	4.000 EA
HW1021A08	WASHER DIAMETER = M8, SPRING STEEL,	4.000 EA
85XU0407S04	4X1/4 U DRIVE PIN STAINLESS	2.000 EA
RF0001	RESOLVER, BRUSHLESS, 1 SPEED, 1.4165 DIA	1.000 EA
MH4006A21	HEAT SHRINK TUBING 0.12 ID BLACK	1.000 FT
77CB2000A22	KOBX W/FEEDBACK CONN & M40 TAP	1.000 EA
XY0120B01	12MM HEX NUT, BRASS	6.000 EA
HW1000B120	WASHER, 12MM, FLAT, BRASS	12.000 EA
XY0050B01	5MM HEX NUT, BRASS	4.000 EA
HW1000B050	WASHER, 5MM, FLAT, BRASS	8.000 EA
WD1000D13	TERMINAL, NON-INS RING, 22-18 GA, .25 S	2.000 EA
MCS-40	METAL LIQUID TIGHT STRAIN RELIEF, M40,.70	1.000 EA
WD1000C22	T&B D75, RING TERM, 8 AWG, 1/2" STUD	3.000 EA
MG1500Y08	PRIMER-WILKOPON (603.08A) YELLOW PRIMER W	0.006 QT
MG1025Z08	WILKO 603.08B PRIMER REDUCER TDR# 72361	0.006 QT
MG1025L02	WILKOFASST, 776.06 TEXTURE (BSM) BLACK	0.006 QT
MG1025Z09	CATALYST #060.06 WILCO	0.006 QT

Product Information Packet: BSM132C-4200AA - BSM132C-4200AA T'STAT, RESOLVER

LB1119N	WARNING LABEL	1.000 EA
NP3306L	ALUM NAMEPLATE IEC BLDC SERVOMOTORS -	1.000 EA
07PA1005	PKG GRP, PRINT PK1156A06	1.000 EA
PK3085X	FOAM SHAFT SUPPORT PRECUT 4-1/4 X 6-3/4	4.000 EA
LB1417	LABEL CARTON 6X4 PERFORATED BLANK ROLLS	1.000 EA

No performance data has been
assigned to this product.

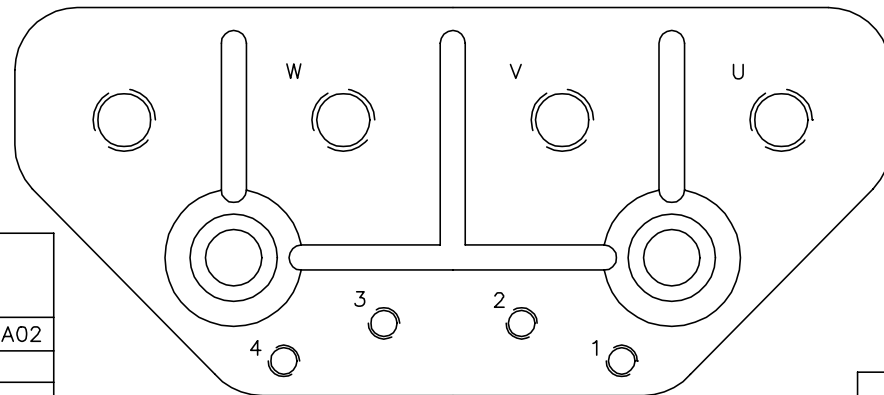
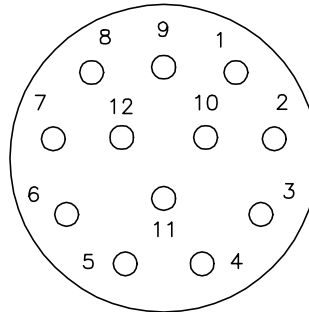


CD2008A02

RESOLVER CONNECTIONS

PIN	FUNCTION	WIRE COLOR
1	REF HI R1	RED/WHITE
2	REF LO R2	YELLOW/WHITE
3	COS+ S1	RED
4	COS- S3	BLACK
5	SIN+ S2	BLUE
6	SIN- S4	YELLOW
7	-	-
8	-	-
9	-	-
10	-	-
11	-	-
12	-	-

12 PIN THREADED CONNECTOR
(INSERTION SIDE)



MOTOR CONNECTIONS

TERMINAL LABEL	FUNCTION	INTERNAL WIRE MARKING		
		CD0006	or	CD0006A02
1	THERMAL SWITCH		YELLOW	
2	THERMAL SWITCH		YELLOW	
3	BRAKE (OPTIONAL)		BLACK	
4	BRAKE (OPTIONAL)		BLACK	
⊥	GROUND		-	
U	PHASE U	(T1) BLUE	or	(T1) BLACK
V	PHASE V	(T2) WHITE	or	(T2) RED
W	PHASE W	(T3) ORANGE	or	(T3) BLUE



CD2008A02

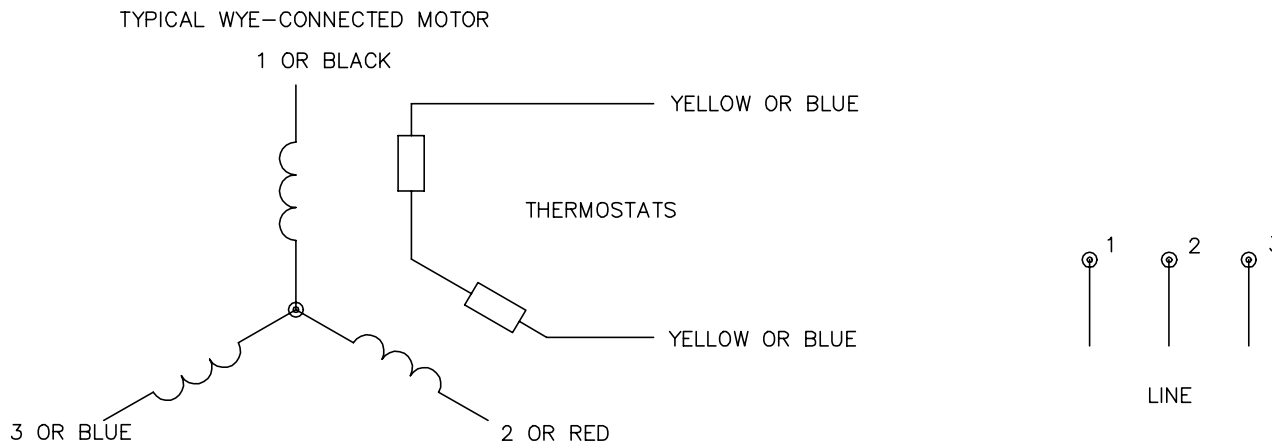
REV. DESC: ADD COLORS TO MOTOR PHASES		
REV. LTR: A	VERSION: 01	TDR: 000000802466
FILE: \AAA\00153\837	REVISED: 10:35:50 06/04/2013	
MTL: -	BY: ENJFDO	

CONN DIAG BSM132, RESOLVER, WD1327A02 TERM BLOCK, 12P

BALDOR

SH 1 of 1

CD0006A02



NOTES:

1. INTERCHANGE ANY TWO LINE LEADS TO REVERSE ROTATION.
2. ACTUAL NUMBER OF INTERNAL PARALLEL CIRCUITS MAY VARY.

REV. DESC: REMOVED "OPTIONAL" FROM PRINT, SERVO REQ'S T'STATS			
REV. LTR: D	VERSION: 03	TDR: 000000414937	
Z0V9000003 CD0006A02	FILE: \AAA\00068\606	REVISED: 10:02:28 11/21/2006	
	MTL: -	BY: ENJFD0	

BALDOR ELECTRIC Co.

3PH, SV, 3 LEADS, WYE CONNECTED

CD0006A02